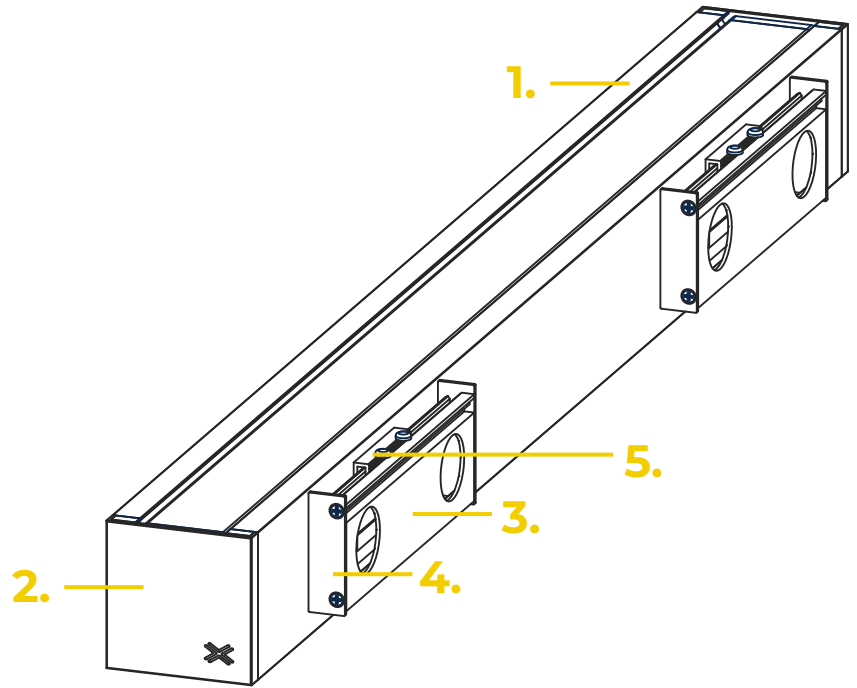


## INSTALLATION INSTRUCTIONS

1. Luminaire
2. Luminaire end cap
3. Wall part
4. Wall part end cap
5. Luminaire part



**1** Wall Block Installers Kit Includes:

1 x Installation Instructions  
1 x Bushing End Cap  
1 x Bushing

**2**

Unpack luminaire. Position with wall blocks facing the wall.

**3**

Hold luminaire against the wall. Mark a line across the top of one wall part and set laser guide along mark.

**4**

Locate luminaire position horizontally along that line and mark the Wall Part centre positions as shown on the shop drawing.

**5**

Unscrew locking screws and remove Wall Parts from luminaire.

**6**

Refer to shop drawing for flex exit location. Align flex Wall Part on laser guide and centre mark, use wall block to mark 35mm hole on wall. Cut/drill hole in wall for flex.

**6a** FOLLOW - IF FLEX CANNOT RUN INTO WALL

Unscrew Wall Part end cap and replace with bushing end cap. Push snap bushing into hole.

**7**

Align Wall Parts on laser guide and centre marks. Screw Wall Parts to wall using V-grooves. Installer to provide own fixings.

**8**

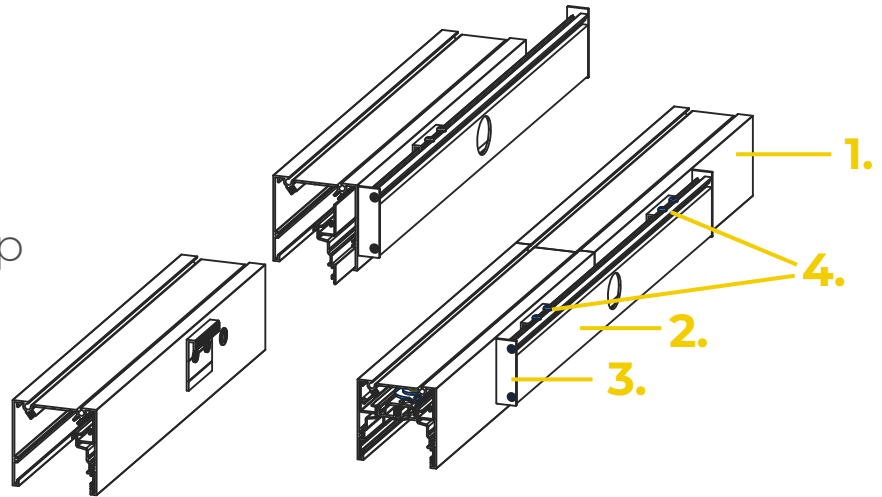
Run flex into flex Wall Part through either hole in wall or bushing end cap, and terminate in terminal block exiting luminaire.

**9**

Clip luminaire onto wall parts and centre on wall. Lock luminaire in place with provided 8G x 1/4" Pan Head screws, 2 per wall block.

# WALL BLOCK - CONTINUOUS LUMINAIRE

1. Luminaire
2. Joiner wall part
3. Joiner wall part end cap
4. Luminaire part



**1** Joiner Wall Block Kit includes -

1 x Installation Instructions  
2 x 1/4 Panhead Phillip Screws  
1 x Bushing End Cap  
1 x Bushing

**2**

Run Section A    Run Section B

Unpack luminaire and arrange runs in order. Position with wall blocks facing the wall.

**3**

Run Section A

Hold a luminaire section against the wall. Mark a line across the top of one wall part and set laser guide along mark.

**4**

Locate the required luminaire start position horizontally along that line and mark the Wall Part centre positions of ALL sections as shown on the shop drawing.

**5**

Unscrew locking screws and remove Wall Parts from luminaire.

**6**

Refer to shop drawing for flex exit location. Align flex Joiner Wall Part on laser guide and centre mark, use wall block to mark 35mm hole on wall.

**6a** FOLLOW - IF FLEX CANNOT RUN INTO WALL

Unscrew Wall Part end cap and replace with bushing end cap. Push snap bushing into hole.

**7**

Align Wall Parts on laser guide and centre marks. Screw Wall Parts to wall using V-grooves. Installer to provide own screws

**8**

Run flex into flex Joiner Wall Part through either hole in wall or bushing end cap, and terminate in terminal block exiting luminaire.

**9**

Clip Run Section A onto Wall Parts. Clip Run Section B onto Wall Parts to the left of Run Section A and slide runs together. Connect runs with roll pins and quick lock latches.

**10**

Clip luminaire onto wall parts and centre on wall. Lock luminaire in place with provided 8G x 1/4" Pan Head screws, 2 per wall block.

For more information, please contact your local representative.

<https://pal-lighting.com/company/contact>

4830 Timber Creek Drive, Houston, Texas 77017  
(713) 946-4343