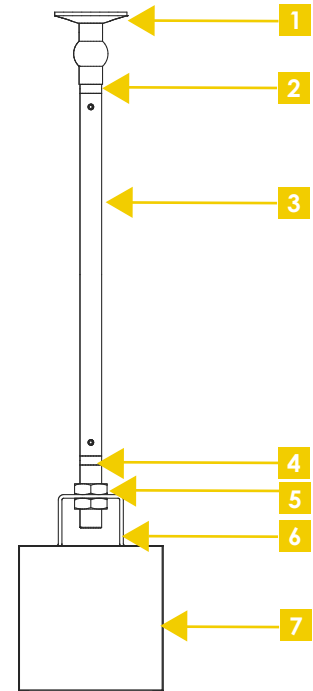


## INSTALLATION INSTRUCTIONS

- 1 Ceiling Mount
- 2 Tube Top
- 3 Tube
- 4 Tube Bottom Connector
- 5 Lock Nuts
- 6 Suspension Saddle
- 7 Luminaire



**1 Identify all parts**

lock nuts  
spring pins  
suspension saddle  
ceiling mount  
tube top  
tube bottom connector  
1 x tube 2m  
1 x tube 4m  
suspension plan

*note: either 2m or 4m rod supplied*

**2 Determine mounting location**

**3 Determine required height to the top of the luminaire**

**4 OPTIONAL FOR NON STANDARD ROD LENGTHS**

Cut tube to length. Length = height (less 95mm)

**5 OPTIONAL FOR NON STANDARD ROD LENGTHS**

At the lower end of the tube, drill a 1/8" (3.175mm) hole through it's diameter, 7.5mm from the end

**6 Assemble bottom rod components. (Push the pin into the bottom connector hole).**

Note: Leave off the suspension saddle and lower lock nut

**7 Fix the rod assemblies at the pre-determined locations**

**8 Remove the luminaire's outer end cap**

**9 Slide suspension saddles along the fitting to align with the rod assemblies and replace outer end cap**

**10 Ensure a maximum of 3m between rods is maintained**

Lift the luminaire in to position and secure with lower lock nut

Ensure the luminaire is level by adjusting the lock nuts at each suspension location