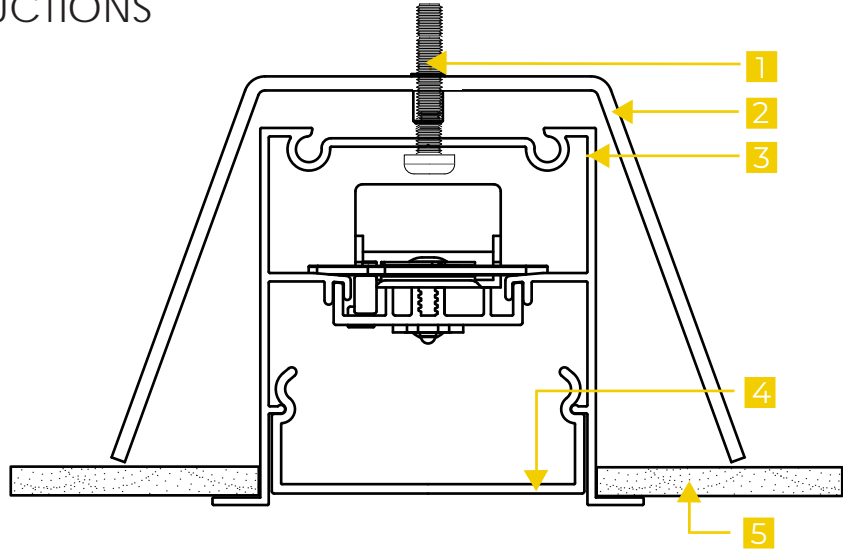


INSTALLATION INSTRUCTIONS

- 1 Screw
- 2 Recessed Clip
- 3 Luminaire
- 4 Diffuser
- 5 Ceiling



1

Recessed Clip and Luminaire Suspension Plan

Note: Ensure ceiling construction can support luminaire weight

2

Determine mounting location

3

Ceiling opening width = $W + 7\text{mm}$

Ensure ceiling cut-out is the correct length and width.

4 Cut-out length = length endcap to endcap + 7mm

Overall fitting length including width of flanges

4 Remove diffuser

5 Remove gear-tray

Step 1. Slide latch to unlock position
Step 2. Remove gear tray

6

Follow steps 9 and 10 Follow steps *9b and *10b

7

Ensure screws are at maximum extension.

8

Make sure power is connected in ceiling while being placed into position

9

While unit has been lifted into place ensure clip can squeeze into ceiling cut-out

***9b** Top View

Rotate clips so that they sit flush against the body.

10

Push screws in fully once unit is in place. Ensure recessed clip legs secure unit into ceiling.

***10b**

Lift unit into ceiling and push screw fully into luminaire, then turn screw to rotate clip.

11

Tighten screw(s) ensuring clips are kept parallel and even. Do not overtighten

12

Replace gear-tray and reconnect power.

13

Replace diffuser

WARNING

1. Ensure luminaire is kept horizontal whilst being lifted into ceiling.
2. If there is more than one section of luminaire insert each piece into ceiling separately and connect.

NOTE: When installing the last section in a multiple section luminaire there is no joining pins or latch across.