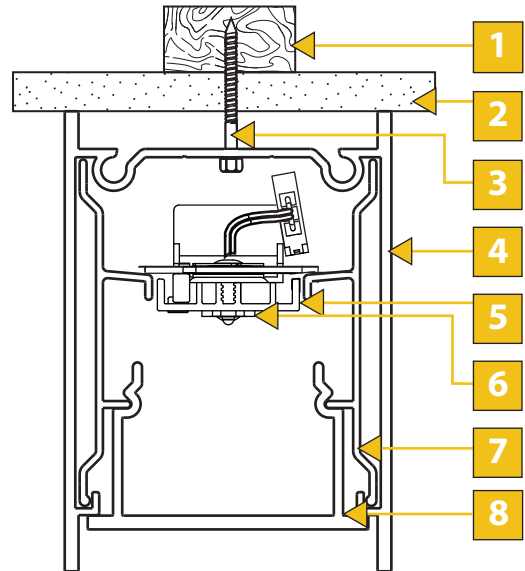


INSTALLATION INSTRUCTION

- 1 Beam or support
- 2 Ceiling
- 3 Fastener
- 4 Fixture Housing
- 5 Gear-tray
- 6 Light engine
- 7 Inner sleeve
- 8 Diffuser



1

S2 and S3 Series Luminaires

PAL
Recessed Architectural Lighting

Suspension Plan

2

Determine mounting location

3

Remove Conseal Endplate (if fitted)

4

Remove diffuser

Note: Position of the the diffuser relative to the fixture section must be the same

5

Remove gear-tray

Note: Only remove the plain steel fasteners. DO NOT remove the black fasteners

6

*Strap Section

Drill holes at no more than 9'-9" maximum mtg. centers

Drill through the top section of the luminaire to accommodate selected mounting screws. *Please note: For all curved fixtures, only drill through the strap sections

7

Engage screw or selected fastener into support structure

CAUTION: Make sure that the fixture profile is not distorted by overtightening the fastener

8

If more than one fixture, then engage the latch

9

If the latch does not bring fixture sections together, adjust by turning the latch hook

10

Re-connect all electrical connections

11

Replace gear-tray, then re-assemble diffuser

WARNING
Take care to replace diffuser and gear-tray to original location, and ensure that there is a gap between each diffuser to allow for expansion

If more information is required, please contact your local representative, or email us at Info@pal-lighting.com