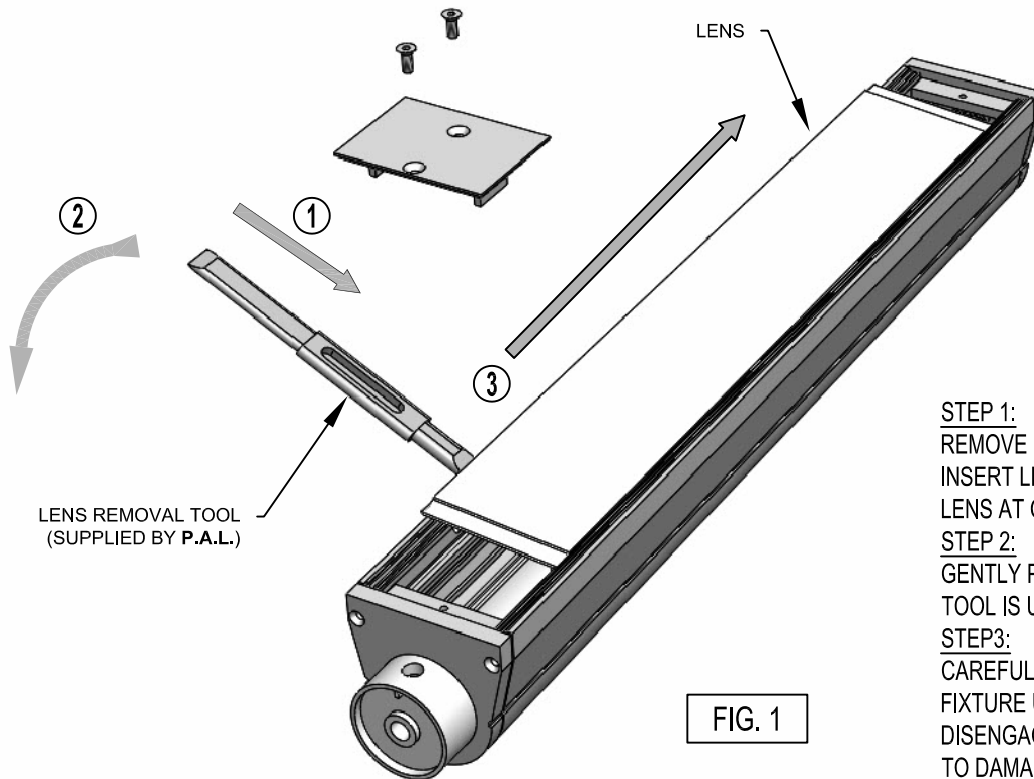
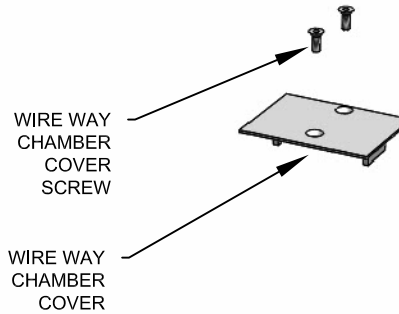


LENS INSTALLATION & REMOVAL INSTRUCTIONS

ACC-WL66

LENS REMOVAL

CAUTION:
FOR BEST RESULTS READ ALL LENS
INSTRUCTIONS FIRST BEFORE INSTALLING
OR REMOVING LENS. TURN OFF FIXTURE
POWER SUPPLY.



STEP 1:
REMOVE BOTH WIRE WAY CHAMBER COVERS AND
INSERT LENS REMOVAL TOOL UNDER SIDE OF
LENS AT ONE END.

STEP 2:
GENTLY PRY LENS AWAY FROM FIXTURE UNTIL
TOOL IS UNDER LENS AS ILLUSTRATED.

STEP 3:
CAREFULLY SLIDE REMOVAL TOOL DOWN SIDE OF
FIXTURE UNTIL ENTIRE SIDE OF LENS IS
DISENGAGED FROM HOUSING, TAKING CARE NOT
TO DAMAGE GASKET.

STEP 4:
GRASP LENS AT ONE END AND CAREFULLY
REMOVE IT FROM OPPOSITE SIDE, AGAIN TAKING
CARE NOT TO DAMAGE OR DISLODGE GASKET.

REFERENCE BACK PAGE FOR LENS INSTALLATION



Precision Architectural Lighting

Tel (713) 946-4343 Fax (713) 946-4441 www.palighting.com

4830 Timber Creek Drive Houston, Texas 77017

PAL RESERVES THE RIGHT TO CHANGE PRODUCT
DESIGN AND SPECIFICATIONS. CONTACT FACTORY
FOR MOST RECENT PRODUCT INFORMATION.

3750235-1 10/21

LENS INSTALLATION & REMOVAL INSTRUCTIONS

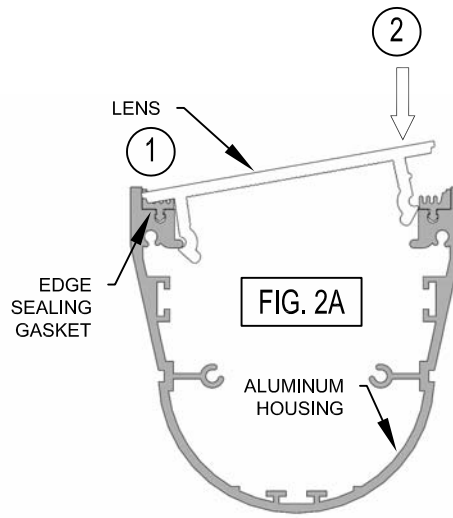
ACC-WL66

LENS INSTALLATION

STEP 1:

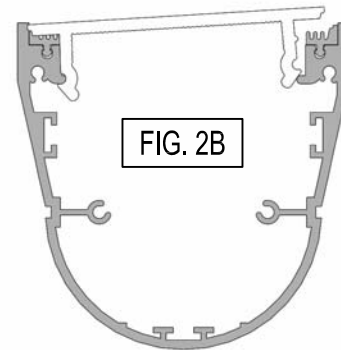
FOR BEST RESULTS READ ALL LENS INSTRUCTIONS FIRST BEFORE INSTALLING OR REMOVING LENS. REMOVE WIRE WAY CHAMBER COVER PLATES.

PLACE LENS EDGE IN POSITION 1, AS SHOWN IN FIG 2A. MAKE SURE LENS EDGE IS AS CLOSE TO THE OUTSIDE FACE OF THE ALUMINUM HOUSING AS POSSIBLE. BE SURE NOT TO PINCH OR CRIMP THE EDGE SEALING GASKET. SLIDE THE LENS IF NECESSARY TO CENTER IT IN THE LIT OPENING OF THE FIXTURE. THE WIRE WAY CHAMBER COVER PLATES WILL NOT FIT IN PLACE PROPERLY IF THE LENS IS NOT CENTERED. STARTING AT THE CENTER OF THE LENS, APPLY MODERATE PRESSURE AT LOCATION 2 AS SHOWN (FIG 2A) UNTIL LENS IS PARTIALLY SEATED AS ILLUSTRATED IN FIG. 2B.



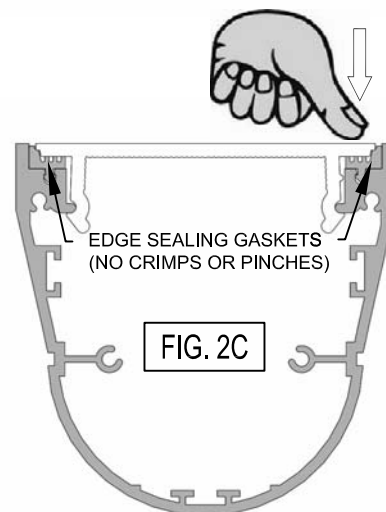
STEP 2:

THE LENS SHOULD NOW BE TEMPORARILY SEATED ALONG ITS ENTIRE LENGTH AS SHOWN IN FIGURE 2B. DO NOT PRESS THE LENS INTO ITS FINAL POSITION AT THIS TIME. INSPECT BOTH EDGE SEALING GASKETS TO MAKE SURE THEY ARE NOT PINCHED OR CRIMPED. IF EITHER OF THE SIDE SEALING GASKETS ARE PINCHED OR CRIMPED AT ANY LOCATION, THE LENS MUST BE REMOVED (SEE PAGE 1). CAREFULLY REINSTALL THE LENS AFTER MAKING SURE THE EDGE SEALING GASKETS ARE PROPERLY SEATED (FIG 2B).



STEP 3:

THE LENS MUST NOW BE CAREFULLY PRESSED INTO ITS FINAL SEALING POSITION. START AT THE MIDDLE OF THE LENS AND APPLY PRESSURE ON THE OUTSIDE EDGE OF THE LENS, AND WORK TO EACH END, UNTIL IT IS ENGAGED IN ITS FINAL SEALING POSITION AS ILLUSTRATED IN FIG. 2C. INSPECT THE EDGE SEALING GASKETS ON BOTH SIDES OF THE LENS TO MAKE SURE THEY ARE NOT PINCHED OR CRIMPED. IF EITHER OF THE SIDE SEALING GASKETS ARE CRIMPED OR PINCHED AT ANY LOCATION, THE LENS MUST BE REMOVED AND CAREFULLY RE-INSTALLED.



STEP 4:

REPLACE FIXTURE WIRE WAY CHAMBER COVERS. CAREFULLY ALIGN AND TIGHTEN ALL COMPONENTS TO ENSURE A GOOD SEAL.

STEP 5:

TURN ON POWER SUPPLY AND VERIFY PROPER OPERATION.

REFERENCE FRONT PAGE FOR LENS REMOVAL



Precision Architectural Lighting

Tel (713) 946-4343 Fax (713) 946-4441 www.palighting.com

4830 Timber Creek Drive Houston, Texas 77017

PAL RESERVES THE RIGHT TO CHANGE PRODUCT DESIGN AND SPECIFICATIONS. CONTACT FACTORY FOR MOST RECENT PRODUCT INFORMATION.

3750235-2 10/17