

ACCENTRA-WL66 EXTENDED ARM WALL MOUNT SAFETY AND INSTALLATION INSTRUCTIONS

CAUTION:

- * BE CERTAIN THAT POWER TO FIELD WIRING HAS BEEN TURNED OFF PRIOR TO INSTALLATION.
- * THIS PRODUCT MUST BE INSTALLED IN ACCORDANCE WITH THE APPLICABLE INSTALLATION CODE BY A PERSON FAMILIAR WITH THE CONSTRUCTION AND OPERATION OF THE PRODUCT AND THE HAZARDS INVOLVED.
- * IT IS INSTALLER'S RESPONSIBILITY TO ENSURE THAT MOUNTING SURFACE IS STRUCTURALLY CAPABLE OF SUPPORTING WEIGHT OF FIXTURE.
- * BE CERTAIN THAT SUPPLY VOLTAGE IS THE SAME AS THAT MARKED ON FIXTURE.

CE PRODUIT DOIT ÊTRE INSTALLÉ SELON LE CODE D'INSTALLATION PERTINENT, PAR UNE PERSONNE QUI CONNAÎT BIEN LE PRODUIT ET SON FONCTIONNEMENT AINSI QUE LES RISQUES INHÉRENTS.

SINGLE FIXTURE INSTALLATION

STEP 1:

USING WALL CLEAT AS A TEMPLATE, CENTER OVER VERTICALLY MOUNTED SWITCH BOX AND MARK (4) MOUNTING HOLES. USE LEVEL TO PLUMB WALL CLEAT. (FIG. 1) DRILL HOLES APPROPRIATE FOR MOUNTING SURFACE AND FASTENERS TO BE USED. SECURELY ATTACH WALL CLEAT TO WALL.

STEP 2:

ATTACH SECOND WALL CLEAT TO MOUNTING SURFACE AT LOCATION AS SPECIFIED ON FACTORY SHOP DRAWING. TAKE CARE TO ENSURE THAT CLEATS ARE PLUMB AND ON SAME CENTER LINE AS FIRST ONE INSTALLED. CONSULT FACTORY OR YOUR PAL REPRESENTATIVE IF YOU ARE NOT IN POSSESSION OF FACTORY SHOP DRAWING.

STEP 3:

PUSH FIXTURE LEADS THROUGH STEM AND THREAD STEM INTO SUPPORT MODULE UNTIL IT IS TIGHT.

NOTE:

END OF STEM WITH 1/2" OF THREAD SHOULD BE THREADED INTO SUPPORT MODULE AS ILLUSTRATED. (FIG. 3)

STEP 4:

INSTALL SUPPORT MODULE GASKET, MOUNTING ARM, WALL BRACKET GASKET AND WALL BRACKET OVER STEM WITH FIXTURE LEADS (AT FEED LOCATION) PROTRUDING THROUGH BACK SIDE OF WALL BRACKET. (FIG. 3) NOTE ORIENTATION OF WALL BRACKET. (FIG. 2)

STEP 5:

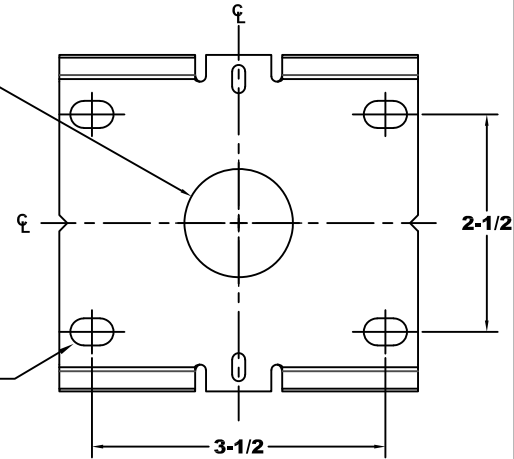
INSTALL 2" WASHER, LOCK WASHER OVER STEM AND TIGHTEN SECURELY TO FIXTURE SUPPORT MODULE WITH STEM NUT. (FIG. 3)

STEP 6:

REPEAT STEPS 3-5 ON NON-FEED SIDE OF FIXTURE.

1-1/4" DIAMETER
WIREWAY
HOLE

MTG HOLE
5/16" X 1/2"



**WALL "CLEAT"
MOUNTING HOLE ARRANGEMENT**

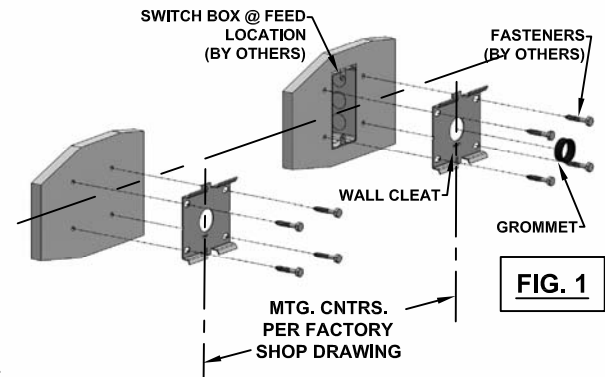


FIG. 1

FIG. 2

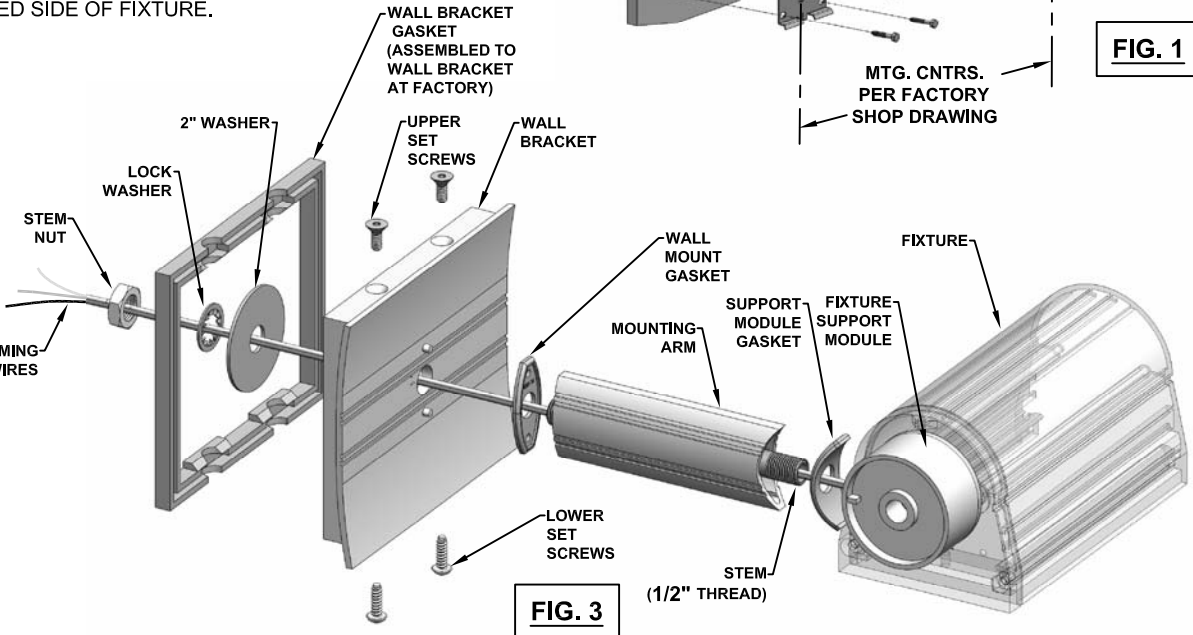
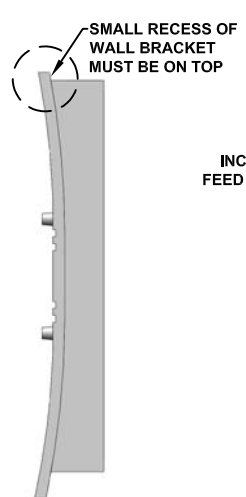


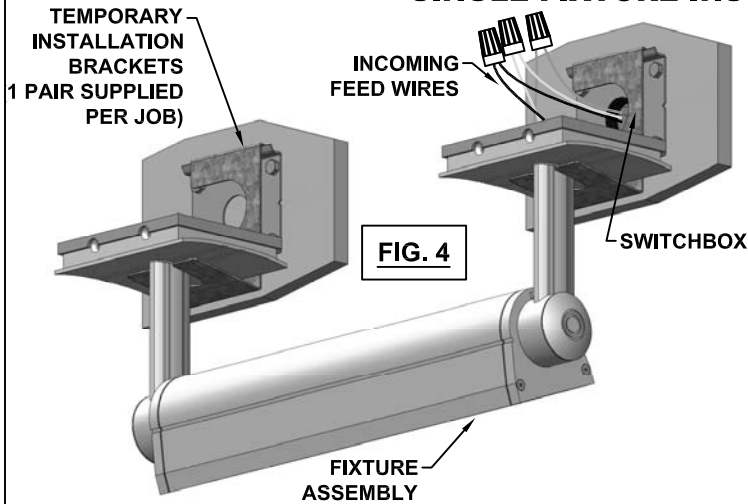
FIG. 3

CONTINUED ON NEXT PAGE



ACCENTRA-WL66 EXTENDED ARM WALL MOUNT SAFETY AND INSTALLATION INSTRUCTIONS

SINGLE FIXTURE INSTALLATION CONTINUED



STEP 7:
LOCATE 2 TEMPORARY INSTALLATION BRACKETS AND HANG THEM ON THE WALL CLEATS AS ILLUSTRATED (NO FASTENERS REQ'D). LIFT FIXTURE AND ROTATE IT SO IT ROUGHLY MATCHES FIG. 4. PLACE FIXTURE ON TEMPORARY INSTALLATION BRACKETS AS SHOWN.

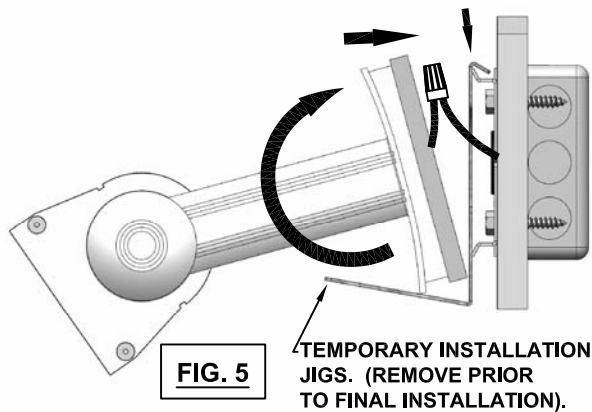
STEP 8:
CONNECT INCOMING SUPPLY WIRES TO FIXTURE LEADS USING 90°C MINIMUM RATED WIRES AND CONNECTORS. ALL WIRE CONNECTIONS SHOULD BE MADE INSIDE SWITCH BOX. (FIG. 4)

STEP 9:
ROTATE FIXTURE UPWARDS TO CLEAR TEMPORARY INSTALLATION BRACKETS AS SHOWN. REMOVE TEMPORARY BRACKETS AND LINE UP FIXTURE WALL BRACKETS WITH CLEATS. (FIG. 5)

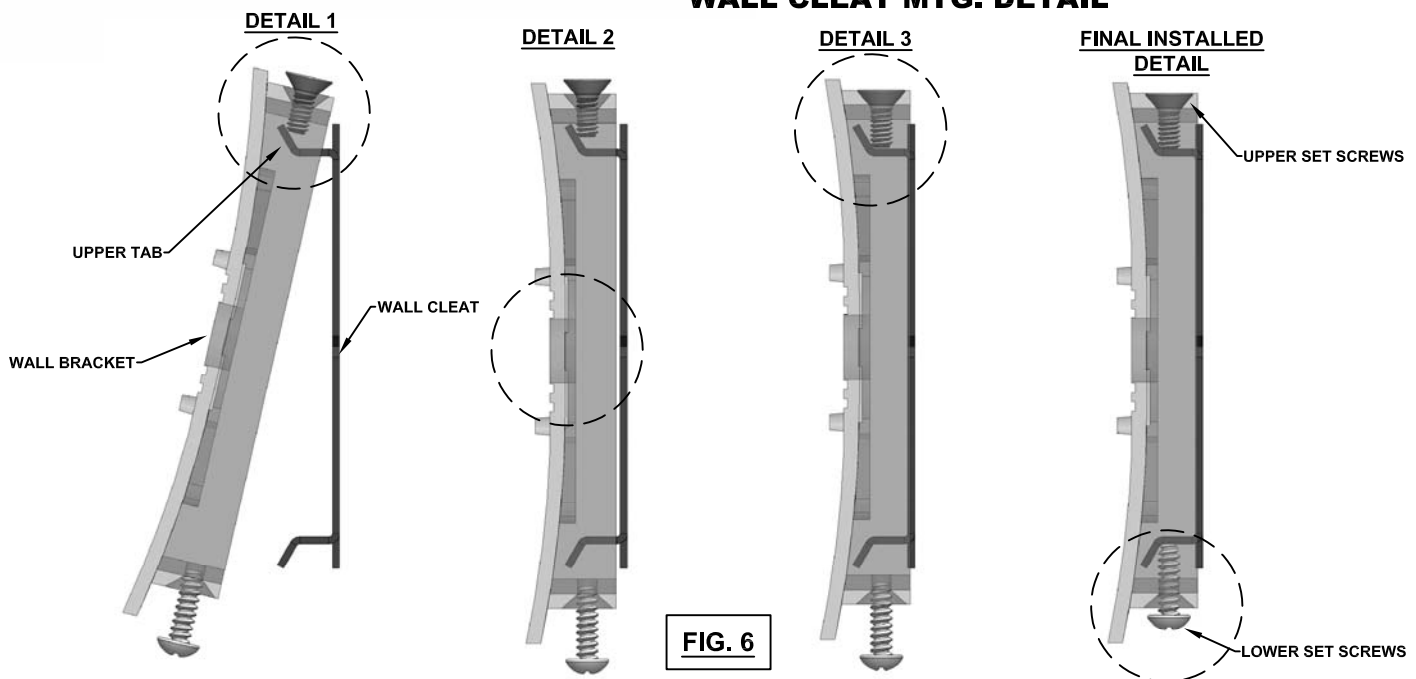
STEP 10:
HOOK FIXTURE ONTO UPPER TAB OF WALL CLEAT - MAY REQUIRE 2 PEOPLE - ONE AT EACH END. THEN SWING FIXTURE DOWN TO MOUNTING SURFACE. MAKE SURE GASKET IS NOT PINCHED OR DAMAGED AND IS FULLY SEATED AGAINST WALL.. TIGHTEN UPPER SET SCREWS. VERIFY THAT FIXTURE IS SNUG AGAINST THE MOUNTING SURFACE AND TIGHTEN LOWER SET SCREWS. SEE (FIG. 6) FOR DETAILED INSTRUCTIONS.

STEP 11:
ENERGIZE FIXTURE AND CHECK FOR PROPER OPERATION

NOTE:
IF WALL SURFACE IS NOT SMOOTH, IT WILL BE NECESSARY TO RUN A BEAD OF RTV SILICONE AROUND PERIMETER OF CAST WALL BRACKET TO PREVENT WATER ENTRY.



WALL CLEAT MTG. DETAIL



ACCENTRA-WL66 EXTENDED ARM WALL MOUNT SAFETY AND INSTALLATION INSTRUCTIONS

CONTINUOUS ROW INSTALLATION

CAUTION

DO NOT ATTEMPT TO ASSEMBLE FIXTURE ROWS ON GROUND AND LIFT INTO POSITION. ATTEMPTING TO ASSEMBLE & INSTALL FIXTURES IN THIS MANNER MAY CREATE STRESS AT CONNECTIONS RESULTING IN DAMAGE AND/OR MECHANICAL FAILURE.

STEP 1:

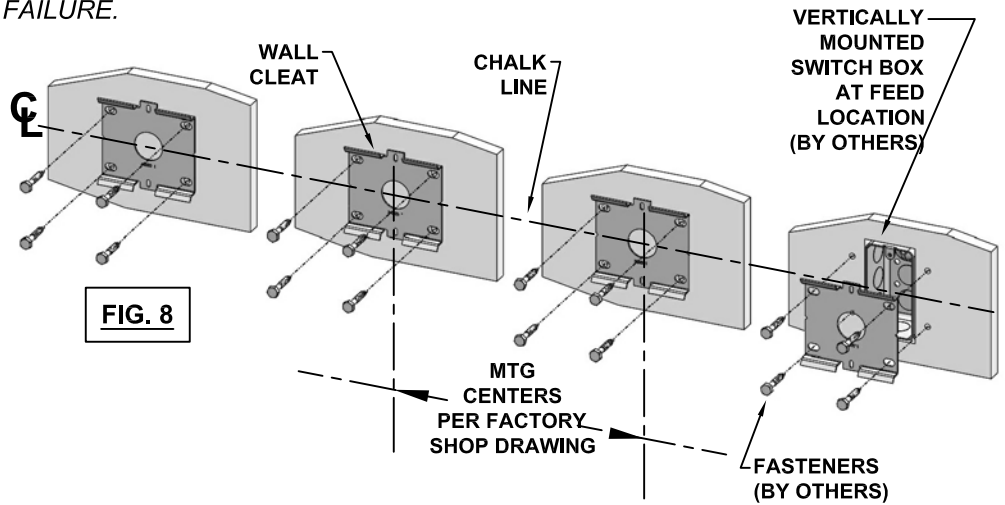
SECURE WALL CLEATS ON CENTERS INDICATED ON FACTORY SHOP DRAWING. NOTE THAT FEED LOCATION SHOULD BE AT RIGHT HAND END OF ROW. (FIG. 8)

STEP 2:

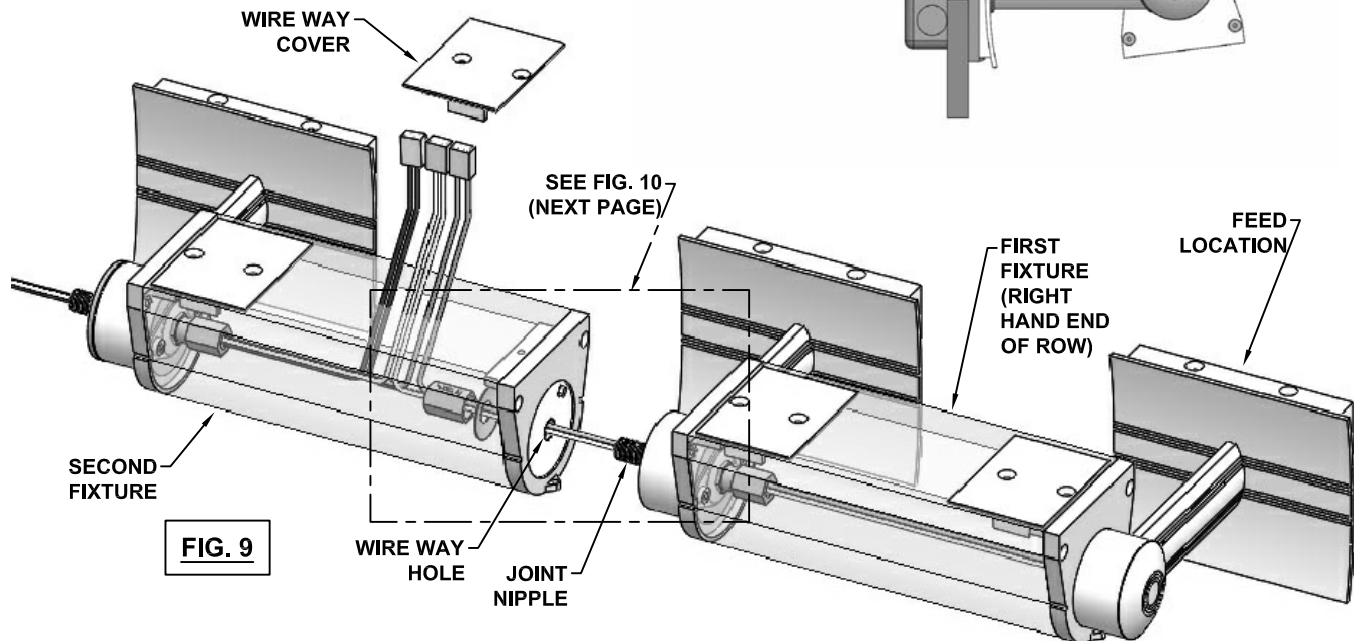
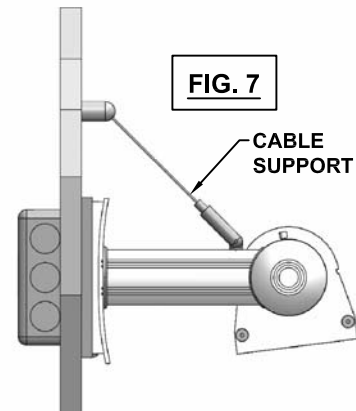
INSTALL FIRST (RIGHT HAND END OF ROW) FIXTURE AS DETAILED ON "INDIVIDUAL FIXTURE INSTALLATION". INCOMING FEED FOR FIXTURE ROW SHOULD BE AT RIGHT HAND END AND JOINT NIPPLE PROTRUDING FROM LEFT HAND END OF FIXTURE. (FIG. 9)

STEP 3:

REMOVE WIRE WAY COVER FROM JOINT END OF SECOND FIXTURE. RAISE FIXTURE AND TEMPORARILY SUPPORT IT SO IT IS ALIGNED WITH FIRST FIXTURE. ROUTE FEED WIRES FROM FIRST FIXTURE THROUGH WIRE WAY HOLE AND OUT OF WIRE WAY CHAMBER IN SECOND FIXTURE. (FIG. 9)



NOTE:
CABLE SUPPORT
REQUIRED FOR
MOUNTING
ARMS LONGER
THAN 6" (FIG. 7)

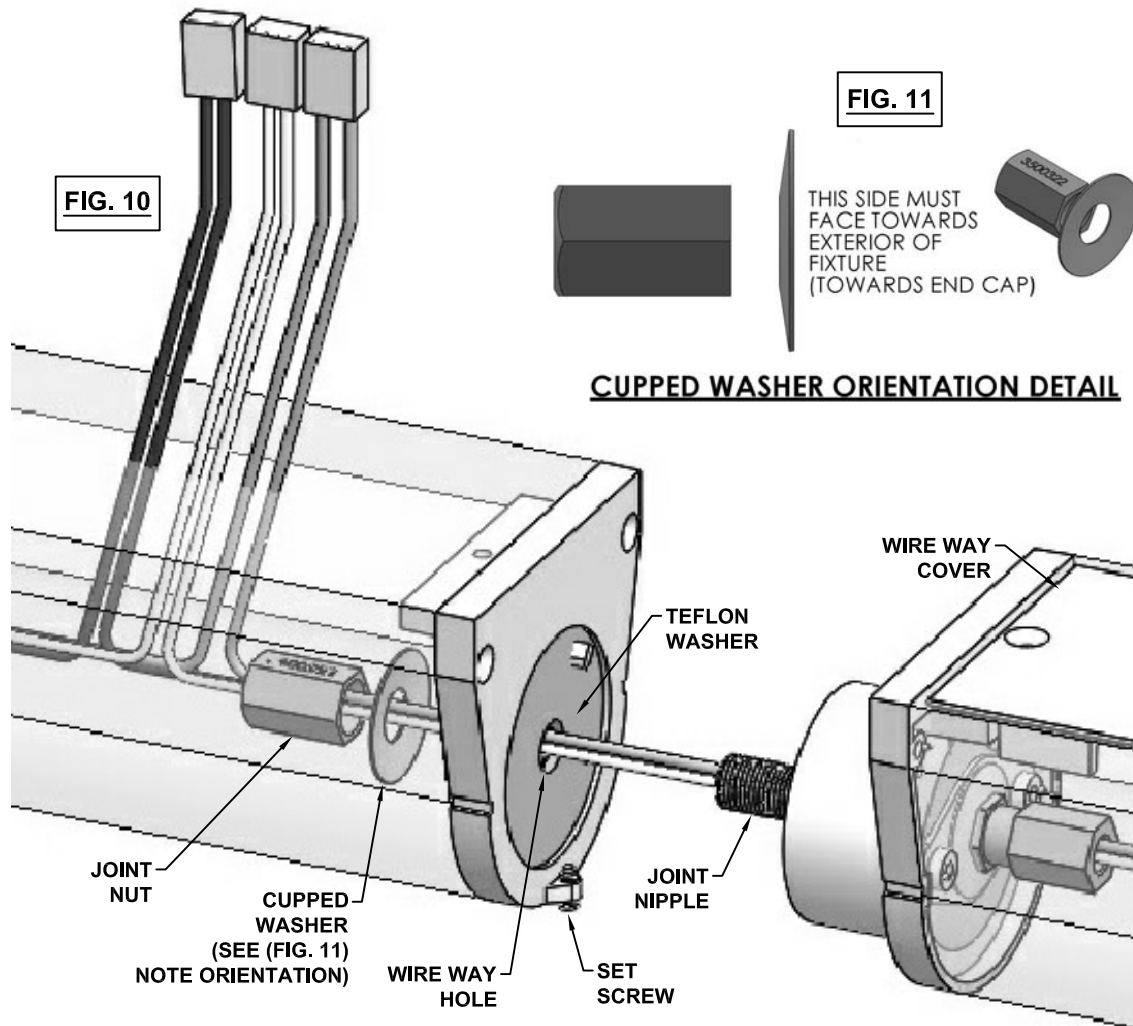


CONTINUOUS ROW INSTALLATION - CONTINUED ON NEXT PAGE



ACCENTRA-WL66 EXTENDED ARM WALL MOUNT SAFETY AND INSTALLATION INSTRUCTIONS

CONTINUOUS ROW INSTALLATION - CONTINUED



STEP 4:

ADJUST SECOND FIXTURE SO THAT JOINT NIPPLE FROM FIRST FIXTURE PASSES THROUGH THE WIRE WAY HOLE ON THE SECOND FIXTURE. SECURE FIXTURE IN PLACE BY FASTENING IT TO WALL CLEAT ON OPPOSITE END. (FIG. 9 & 10)

STEP 5:

PASS FEED WIRES FROM FIRST FIXTURE THROUGH CUPPED WASHER (NOTE ORIENTATION OF CUPPED WASHER - SEE (FIG. 11) AND JOINT NUT AND FINGER TIGHTEN JOINT NUT ONTO JOINT NIPPLE. TIGHTEN NUT SECURELY WITH A 5/8" COMBINATION WRENCH.

NOTE: A 5/8" RATCHETING "BOX WRENCH" FACILITATES TIGHTENING OF THE JOINT NUT

STEP 6:

CONNECT FIRST FIXTURE LEADS TO SECOND FIXTURE LEADS OBSERVING COLOR CODING . INSTALL WIRE WAY COVER ON SECOND FIXTURE. (FIG. 9 & 10)

STEP 7:

REPEAT STEPS 3 THROUGH 6 FOR REMAINING FIXTURES IN ROW. UPON COMPLETION, ENERGIZE FIXTURE ROW AND CHECK FOR PROPER OPERATION.

STEP 8:

AIM FIXTURES AND CAREFULLY TIGHTEN SET SCREWS ONLY ENOUGH TO MAINTAIN FIXTURE POSITION.

