

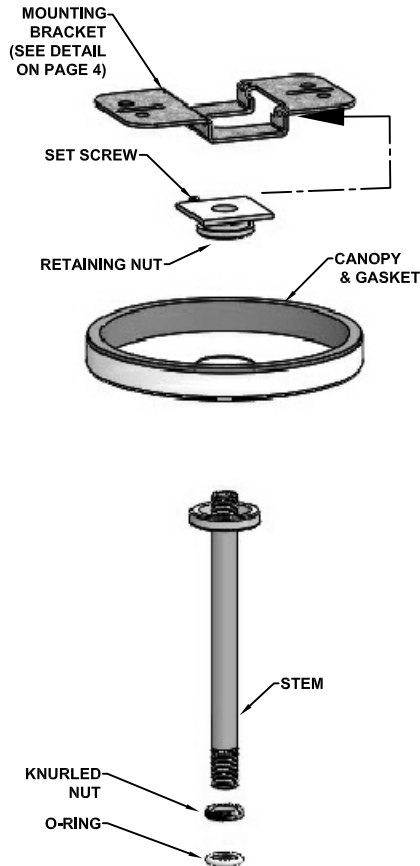
ACCENTRA WL66 STEM MOUNTING SAFETY AND INSTALLATION INSTRUCTIONS

CAUTION:

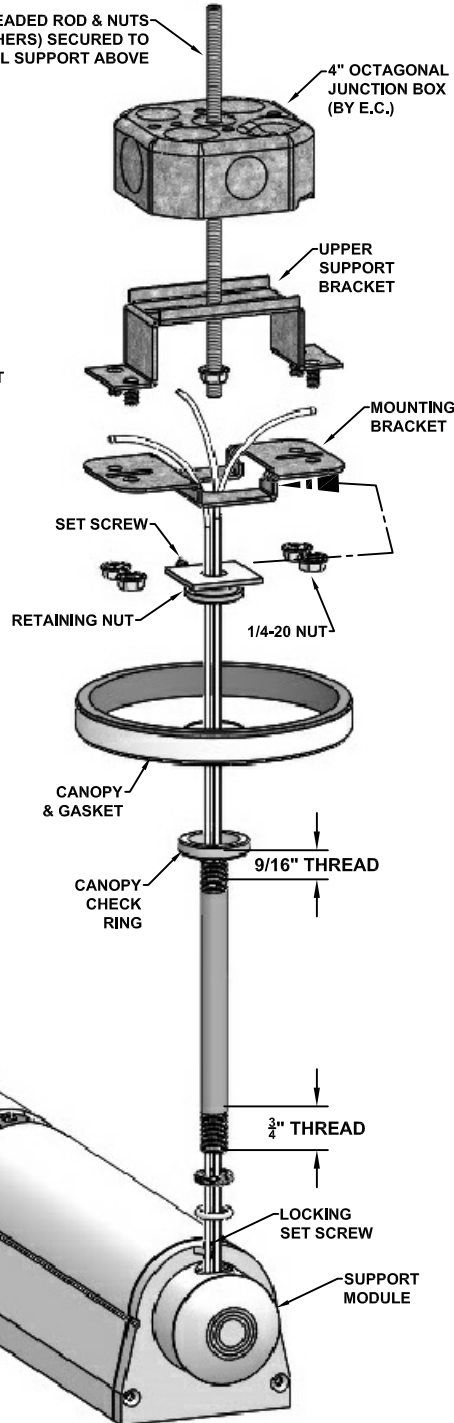
- * BE CERTAIN THAT POWER TO FIELD WIRING HAS BEEN TURNED OFF PRIOR TO INSTALLATION.
- * THIS PRODUCT MUST BE INSTALLED IN ACCORDANCE WITH THE APPLICABLE INSTALLATION CODE BY A PERSON FAMILIAR WITH THE CONSTRUCTION AND OPERATION OF THE PRODUCT AND THE HAZARDS INVOLVED.
- * IT IS INSTALLER'S RESPONSIBILITY TO ENSURE THAT MOUNTING SURFACE IS STRUCTURALLY CAPABLE OF SUPPORTING WEIGHT OF FIXTURE.
- * BE CERTAIN THAT SUPPLY VOLTAGE IS THE SAME AS THAT MARKED ON FIXTURE.

CE PRODUIT DOIT ÊTRE INSTALLÉ SELON LE CODE D'INSTALLATION PERTINENT, PAR UNE PERSONNE QUI CONNAÎT BIEN LE PRODUIT ET SON FONCTIONNEMENT AINSI QUE LES RISQUES INHÉRENTS.

NON FEED STEM ASSEMBLY



FEED STEM ASSEMBLY



CAUTION: DUE TO WEIGHT CONSIDERATIONS, MOUNTING BRACKET SHOULD BE SECURED TO A STRUCTURAL SUPPORT.

STEP 1:

DETERMINE STEM MOUNTING SPACING (FROM FACTORY SHOP DRAWING) AND SECURE J-BOX, UPPER SUPPORT BRACKET AND MOUNTING BRACKETS (FIG. 1) IN APPROPRIATE LOCATION WITH SUITABLE FASTENERS (FASTENERS NOT PROVIDED).

STEP 2:

ROUTE FIXTURE FEED WIRES THROUGH STEM AT FEED LOCATION AND THREAD STEM WITH KNURLED NUT AND "O" RING INTO SUPPORT MODULES OF FIXTURE. TIGHTEN SUFFICIENTLY SUCH THAT "O" RING COMPRESSES SLIGHTLY. PLACE CANOPY CHECK RING AND CANOPY WITH PRE-INSTALLED GASKET OVER STEM.

STEP 3:

THREAD RETAINING NUTS ONTO CEILING SIDE OF STEMS AND SECURE WITH SET SCREW.

STEP 4:

RAISE FIXTURE/STEM ASSEMBLY TO PREVIOUSLY INSTALLED MOUNTING BRACKETS. SHIFT ASSEMBLY TOWARDS AND INTO MOUNTING BRACKET AND RELEASE. BE SURE THAT RETAINING NUT IS FULLY SEATED IN RECESS OF MOUNTING BRACKET.

STEP 5:

MAKE WIRE CONNECTIONS WITHIN JUNCTION BOX. RAISE CANOPY TO CEILING AND SECURE IN PLACE WITH CANOPY CHECK RING. MAKE SURE THAT GASKET IS COMPRESSED AROUND PERIMETER OF CANOPY TO PREVENT WATER ENTRY.

NOTE:

IF CEILING SURFACE IS NOT SMOOTH, IT WILL BE NECESSARY TO RUN A BEAD OF RTV SILICONE AROUND PERIMETER OF CANOPY TO PREVENT WATER ENTRY.

STEP 6:

ENERGIZE CIRCUIT AND VERIFY PROPER OPERATION.

STEP 7:

ROTATE FIXTURE TO FINAL AIM POSITION AND TIGHTEN (2) LOCKING SET SCREWS. TIGHTEN TO HOLD AIM ANGLE - DO NOT OVER TIGHTEN.

FIG. 1

REFERENCE PAGE 2&3 FOR CONTINUOUS ROW INSTALLATION



ACCENTRA WL66 STEM MOUNTING SAFETY AND INSTALLATION INSTRUCTIONS

CAUTION

DO NOT ATTEMPT TO ASSEMBLE FIXTURE ROWS ON GROUND AND LIFT INTO POSITION. ATTEMPTING TO ASSEMBLE & INSTALL FIXTURES IN THIS MANNER MAY CREATE STRESS AT CONNECTIONS RESULTING IN DAMAGE AND/OR MECHANICAL FAILURE.

CONTINUOUS ROW INSTALLATION

STEP 1:

SECURE MOUNTING BRACKETS ON CENTERS INDICATED ON FACTORY SHOP DRAWING. NOTE THAT FEED LOCATION SHOULD BE AT RIGHT HAND END OF ROW. (FIG. 2)

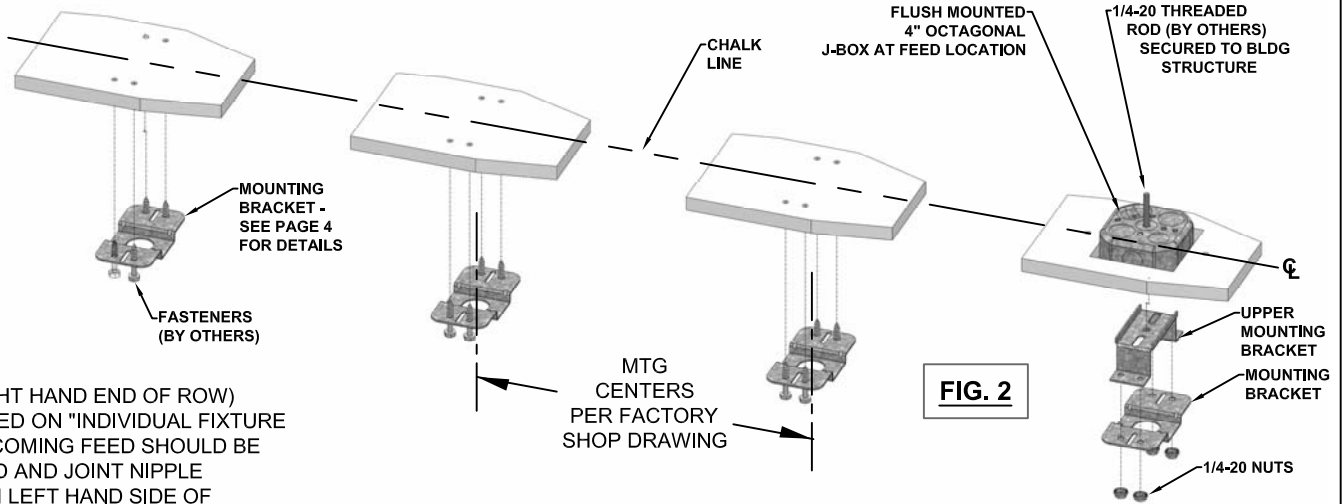


FIG. 2

STEP 2:

INSTALL FIRST (RIGHT HAND END OF ROW) FIXTURE AS DETAILED ON "INDIVIDUAL FIXTURE INSTALLATION". INCOMING FEED SHOULD BE AT RIGHT HAND END AND JOINT NIPPLE PROTRUDING FROM LEFT HAND SIDE OF FIXTURE. (FIG.3)

STEP 3:

REMOVE WIRE WAY CHAMBER COVER FROM JOINT END OF NEXT FIXTURE. RAISE FIXTURE AND TEMPORARILY SUPPORT IT SO IT IS ALIGNED WITH FIRST FIXTURE. ROUTE FEED WIRES FROM FIRST FIXTURE THROUGH WIRE WAY HOLE AND OUT OF WIRE WAY CHAMBER IN SECOND FIXTURE.

FIG. 3

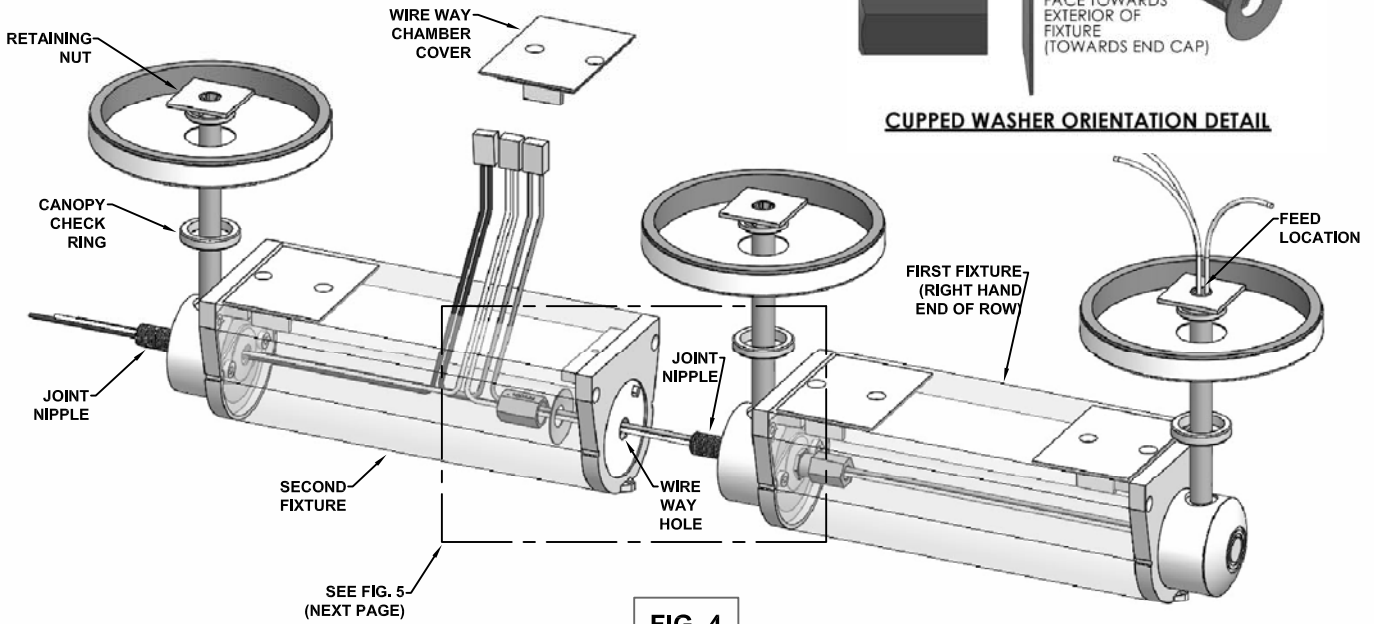


FIG. 4

CONTINUED ON PAGE 3



ACCENTRA WL66 STEM MOUNTING SAFETY AND INSTALLATION INSTRUCTIONS

CONTINUOUS ROW INSTALLATION CONT'D

STEP 4:

ADJUST SECOND FIXTURE SO THAT WIRE WAY NIPPLE FROM FIRST FIXTURE PASSES THROUGH THE WIRE WAY HOLE ON THE SECOND FIXTURE. SECURE FIXTURE IN PLACE BY FASTENING IT TO THE MOUNTING BRACKET ON THE OPPOSITE END.

STEP 5:

PASS FEED WIRES FROM FIRST FIXTURE THROUGH CUPPED WASHER (NOTE ORIENTATION OF CUPPED WASHER - SEE FIG. 3) AND JOINT NUT AND FINGER TIGHTEN JOINT NUT ONTO WIRE WAY NIPPLE. TIGHTEN NUT SECURELY WITH A 5/8" WRENCH.

NOTE:

A 5/8" RATCHETING "BOX WRENCH" FACILITATES TIGHTENING OF THE JOINT NUT.

STEP 6:

CONNECT FIRST FIXTURE LEADS TO SECOND FIXTURE LEADS (MIN 90C RATED CONNECTORS) OBSERVING COLOR CODING. PUSH CONNECTIONS INTO WIRE WAY CHAMBER ON SECOND FIXTURE AND INSTALL WIRE WAY CHAMBER COVER. (FIG. 4)

STEP 7:

SECURE CANOPIES AGAINST CEILING WITH CANOPY CHECK RING.

STEP 8:

REPEAT STEPS 3 THROUGH 6 FOR REMAINING FIXTURES IN ROW.

NOTE:

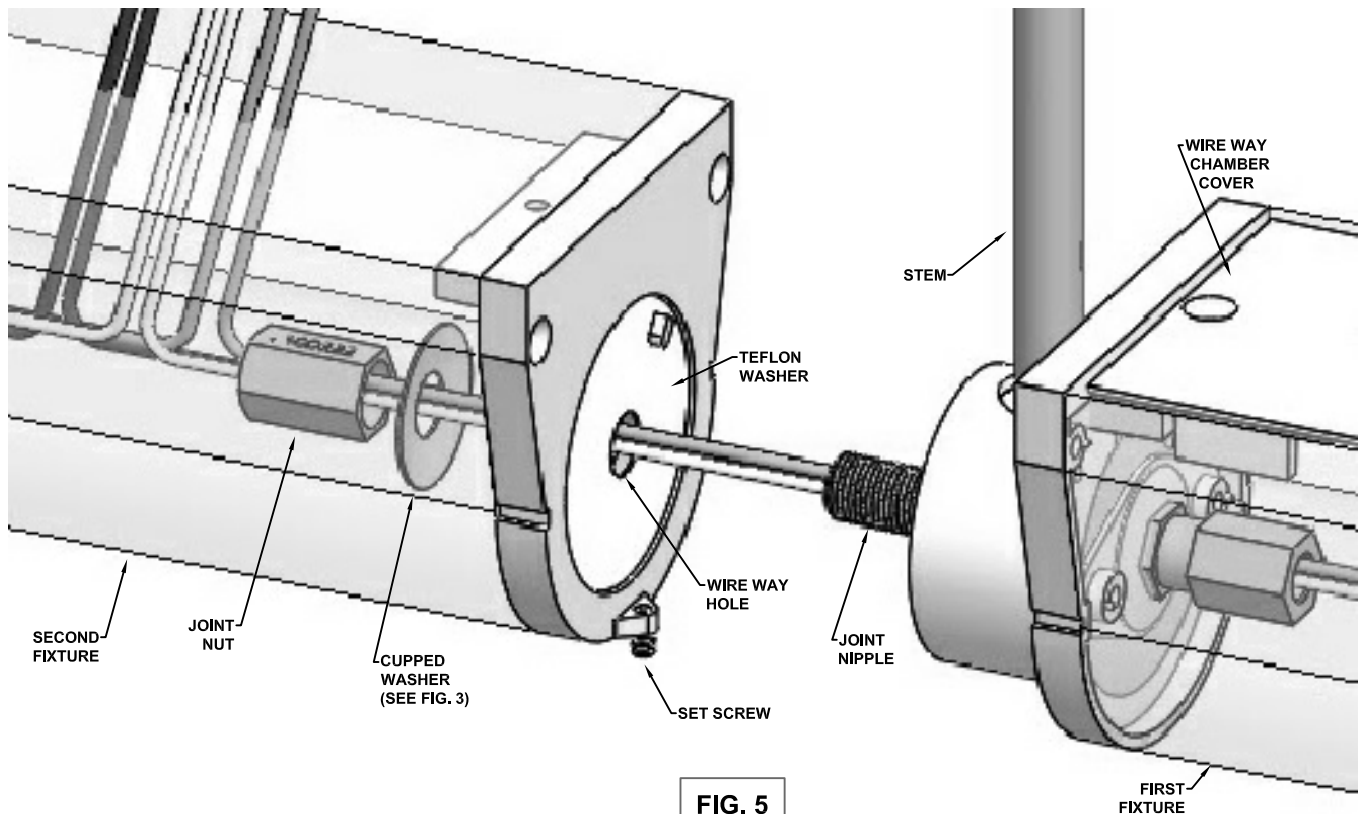
IF CEILING SURFACE IS NOT SMOOTH, IT WILL BE NECESSARY TO RUN A BEAD OF RTV SILICONE AROUND PERIMETER OF CEILING CANOPY TO PREVENT WATER ENTRY.

STEP 9:

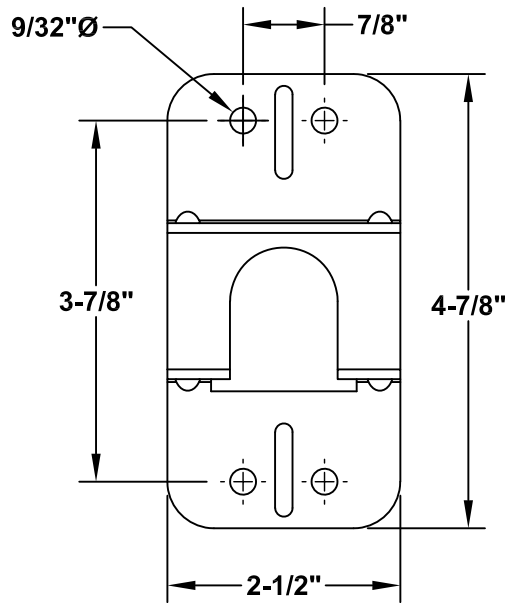
ENERGIZE FIXTURE ROW AND CHECK FOR PROPER OPERATION

STEP 10:

AIM FIXTURE AND CAREFULLY TIGHTEN SET SCREWS ONLY ENOUGH TO MAINTAIN FIXTURE POSITION.



ACCENTRA WL66 STEM MOUNTING SAFETY AND INSTALLATION INSTRUCTIONS



MOUNTING BRACKET DETAIL

