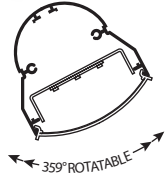


# ACCENTRA SERIES (INTERIOR)

The ACCENTRA Series is a highly flexible, fully rotatable lighting solution driven by an efficient LED light source. ACCENTRA can be suspended, ceiling or wall mounted, providing a wide range of design adaptability.

ACCENTRA can be mounted individually or in continuous rows, and includes available die-cast connectors for virtually unlimited pattern options.

Define your space utilizing ACCENTRA'S precisely designed optics and rotatable capabilities.



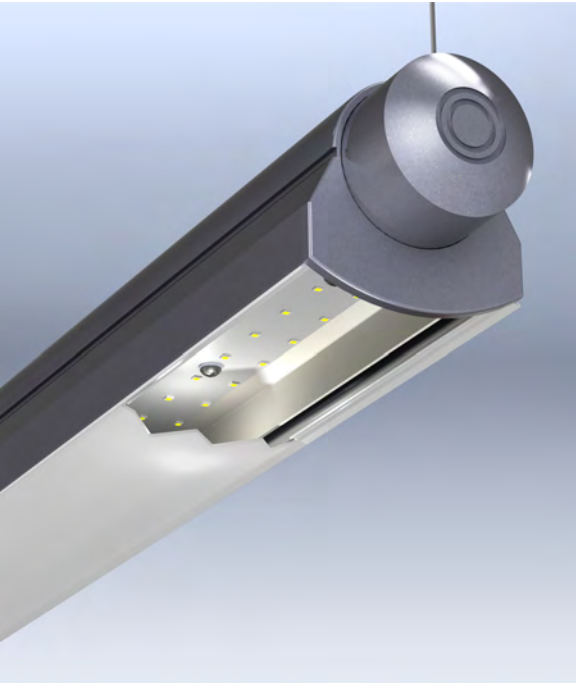
Qty:

Type:

Project Name:

Catalog Number:

## SPECIFICATIONS



### Housing

Constructed of one-piece .063" thick extruded aluminum, with set-screw locking provisions on both ends. Die-cast aluminum support modules and end plates are secured with no visible fasteners. Standard lengths are 2', 3', 4', 6', and 8'. Provisions may be made for continuous rows and patterns.

### Optical Control

(LOH) LED-optimized high transmittance extruded snap-in acrylic lens.

### Reflector

.040" thick die-formed aluminum reflector finished with a high reflectance white enamel.

### Driver (Standard)

Power supply is UL/CUL recognized, 0-10V dimming available, 120 thru 277V universal voltage.

### Driver (Tunable White & RGBW)

EldoLED power supply is UL recognized, and is available for DALI, 0-10V or DMX protocols.

### Certifications

Fixtures are ETL listed for use in 'Dry or Damp Applications'. Fixtures conform to UL Standard #1598 and to CAN/CSA #C22.2NO.250.0

### Light Engines/Color Temps./CRI

LED light sources are available for the following Co-ordinated Color Temperatures (CCT):  
**Standard:** 2700K, 3000K, 3500K, 4000K, & 5000K  
**Tunable White:** Variable CCT range from 2700K thru 6500K.

**RGBW:** (Red, Green, Blue, White) color-changing logic module is rated at max. 10 watts/ft, and available in standard High & Medium Outputs. Contact factory for available custom outputs.

**Color Rendering Index (CRI):** Standard: 80  
 Optional: 90

### Warranty

10-year limited warranty. No other warranty is expressed or implied. Complete warranty terms can be accessed by visiting:  
<https://pal-lighting.com/company/warranty>

### Revit Files

Revit model (BIM) files for the ACCENTRA Series are available by visiting:  
[https://pal-lighting.com/files/accentra/PAL\\_ACC\\_Revit\\_Content.zip](https://pal-lighting.com/files/accentra/PAL_ACC_Revit_Content.zip)

### ACCENTRA - Performance Data

Standard Lumen Outputs Available	Standard High Output - (HO)	Standard Medium Output - (MO)
Delivered Lumens/Foot - Standard	832	527
Input Watts/Foot - Standard	10	6
Lumens/Watt - (Efficacy) - Standard	80	88
Custom Lumen Outputs Available		
Custom Lumens/Ft - Minimum thru Maximum Available*	325 thru 1725	

Notes:

- Data listed above is based on using 3500K CCT and 80 CRI LED modules.
- \*PAL uses fully programmable drivers. Custom outputs (CO) are available. Contact [specs@pallighting.com](mailto:specs@pallighting.com) for more information.
- All values are based on calculated LM-79 photometric reports.



# ACCENTRA SERIES (INTERIOR) SUSPENDED, CEILING or WALL MOUNT

## ORDERING GUIDE

\_\_\_\_\_ - \_\_\_\_\_ - \_\_\_\_\_ - \_\_\_\_\_ - \_\_\_\_\_ - \_\_\_\_\_

Series	Outputs	Color Temperature (CCT)	Color Rendering	Fixture Lengths	
ACC	ACCENTRA Series (Interior)	<b>HO</b> High Output <b>MO</b> Medium Output *See chart on page 1 for standard outputs in Lms/Ft. <b>CO</b> _____ ** Custom Output **Enter requested Lumens/Ft	<b>K27</b> 2700 Kelvin <b>K30</b> 3000 Kelvin <b>K35</b> 3500 Kelvin <b>K40</b> 4000 Kelvin <b>K50</b> 5000 Kelvin <b>TW</b> 2700K thru 6500K (Tunable White) <b>RGBW*</b> Red/Green/Blue/White (Color Changing)	<b>80</b> 80 CRI <b>90</b> 90 CRI	2' 2 Ft <b>XX'</b> : 3' 3 Ft For continuous or custom row lengths, specify fixtures in increments to the nearest foot. Example: 13' 4' 4 Ft 6' 6 Ft 8' 8 Ft

\*Note: RGBW fixtures are available in 2', 4' and 8' lengths only.

\_\_\_\_\_ - \_\_\_\_\_ - \_\_\_\_\_ - \_\_\_\_\_ - \_\_\_\_\_

Mounting	Optical Control	Finishes	Voltage	Drivers - Dimming <sup>2,4</sup>
<b>CN</b> Fully Adjustable Cable - Non T-Bar - (36" Std.)	<b>LOH</b> LED-Optimized High Transmittance Lens	<b>F01M</b> Matte White (Standard)	<b>120</b> 120V	<b>DIM0</b> Dimming 100% to 0%
<b>CT</b> Fully Adjustable Cable - 15/16" T-Bar - (36" Std.)		<b>FXXX</b> PAL Premium Colors: (F01G thru F22)	<b>277</b> 277V	<b>DIM1</b> Dimming 100% to 1%
<b>P</b> Rigid Stem Assy. - (Up to 48" Std.)		<b>FCC</b> Custom Color Match Provide RAL Color# _____	<b>UNV</b> Universal Voltage (120V thru 277V)	<b>DIM5</b> Dimming 100% to 5%
<b>K</b> Swivel Stem Assy. - (Up to 48" Std.)			<b>347</b> 347V	<b>DIM10</b> Dimming 100% to 10%
<b>JT</b> Ceiling Mount - T-Bar Ceiling				<b>SD</b> Step-Dimming System
<b>JN</b> Ceiling Mount - Non T-Bar / Drywall Ceiling				
<b>W_"</b> Wall Mount - (6", 12", 18" or 24" Arm)				

\_\_\_\_\_ - \_\_\_\_\_ - \_\_\_\_\_ - \_\_\_\_\_

Drivers - Tunable White / RGBW <sup>2,4</sup>	Sensor Options	Emergency Options	Control Systems <sup>10</sup>
<b>DALI</b> DALI protocol driver - (TW) <sup>7</sup> EldoLED DUALdrive	<b>OCC</b> Occupancy/Motion Sensor <sup>9</sup> (Integral Mount)	<b>NLCKT</b> Night-Light Circuit (Common Neutral)	<b>CS</b> <b>CASAMBI</b> Blue-Tooth Wireless System
<b>0-10V</b> 0-10V protocol driver - (TW) <sup>7</sup> EldoLED DUALdrive	<b>DS</b> Daylight/Photocell Sensor <sup>9</sup> (Integral Mount)	<b>EMCKT</b> Emergency Circuit (Sep. Hot & Neutral)	<b>nLIGHT</b> nLight Enabled
<b>DMX</b> DMX protocol driver - (RGBW) <sup>8</sup> EldoLED POWERdrive		<b>EBPHST</b> Emergency Battery Pack - 10 Watt <sup>5</sup> Self-Testing. (Integral Mount)	<b>nLAIR</b> nLight Air (Wireless Enabled)
		<b>GTD</b> Generator Transfer Device (Integral Mount)	

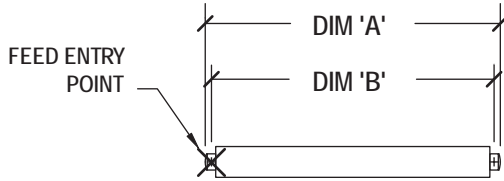
**Notes:**

- All fixtures are factory pre-wired for a single circuit. Provisions for multiple switching/circuiting is optional.
- Unless otherwise requested, all fixtures contain integral-mount "power-on-board" drivers.
- All fixtures intended for continuous rows are provided with factory installed quick-connect wiring.
- Standard power supply (driver) is UL/CUL recognized, & is available w/0-10V dimming capability & 120 - 277 universal voltage.
- Standard emergency battery pack is a 10 Watt constant power, self-testing, UL 924 listed pack from Iota Engineering - providing 1000 lumens of light for approximately 90 minutes. Battery packs are integral mounted unless otherwise notified. \*Note: Remote mounted battery packs are not wet location listed.
- Custom length fixtures and fixtures rows may require a longer lead time. Contact [specs@pallighting.com](mailto:specs@pallighting.com) for more information.
- Tunable White power supply by EldoLED is UL recognized, and is compatible with DALI, DMX, and 0-10V protocols.
- RGBW power supply by EldoLED is UL recognized, and is compatible with DALI and DMX protocols.
- Unless otherwise specified, PAL routinely uses the following integral-mount sensors:
  - nLight AIR #RES7 sensor by nLight/Acuity Brands
  - Vertex sensor by SensorSwitch/Acuity Brands
  - SensiLUM sensor by Encellium/LeGrand
  - FS-205 and FD-301 sensors by WattStopper/Legrand
 Sensors listed above are either occupancy/motion type, daylight/photocell type, or a combination of the two.
- Other control systems are available. Questions? Contact [specs@pallighting.com](mailto:specs@pallighting.com) for more information.

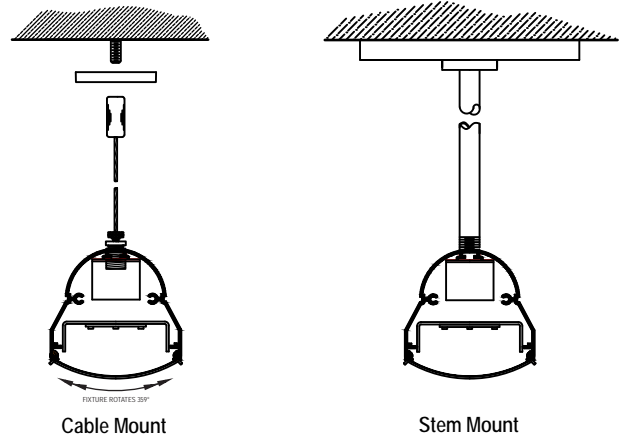


## STANDARD FIXTURE LENGTHS & MOUNTING CENTERS

### STEM & CABLE MOUNTING - 359° ROTATABLE:

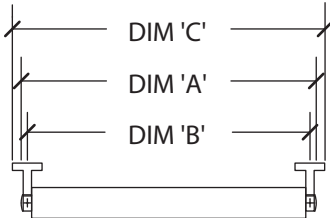


FIXTURE LENGTH	MOUNTING CENTERS
DIM 'A'	DIM 'B'
26 3/4 "	25 "
38 1/4 "	36 1/2 "
49 3/4 "	48 "
74 3/4 "	73 "
97 3/4 "	96 "



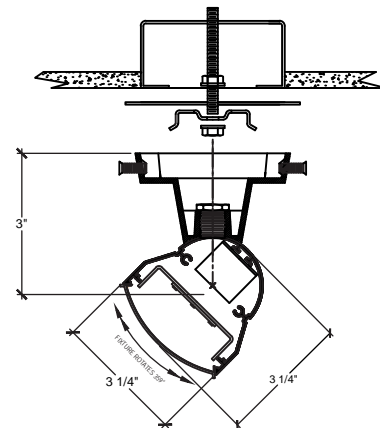
To view the SUSPENDED MOUNT installation sheet, visit:  
[Accentra Suspended Installation Sheet - Click Here](#)

### CEILING MOUNTING - 359° ROTATABLE:



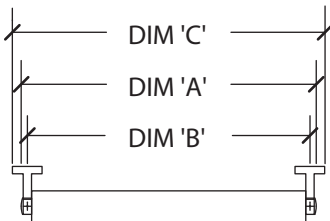
FIXTURE LENGTH	MOUNTING CENTERS	*O.A. DIMENSION
DIM 'A'	DIM 'B'	DIM 'C'
26 3/4 "	25 "	28 1/4 "
38 1/4 "	36 1/2 "	39 3/4 "
49 3/4 "	48 "	51 1/4 "
74 3/4 "	73 "	76 1/4 "
97 3/4 "	96 "	99 1/4 "

\* INCLUDES SUPPORT BRACKETS



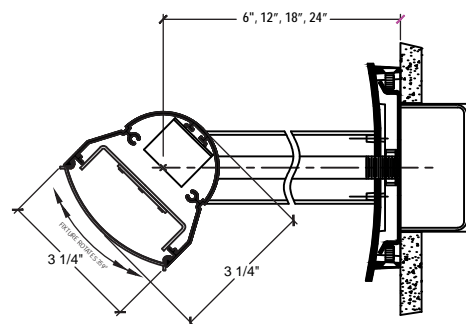
To view the CEILING MOUNT installation sheet, visit:  
[Accentra Ceiling Mt. Installation Sheet - Click Here](#)

### WALL MOUNTING - 359° ROTATABLE:



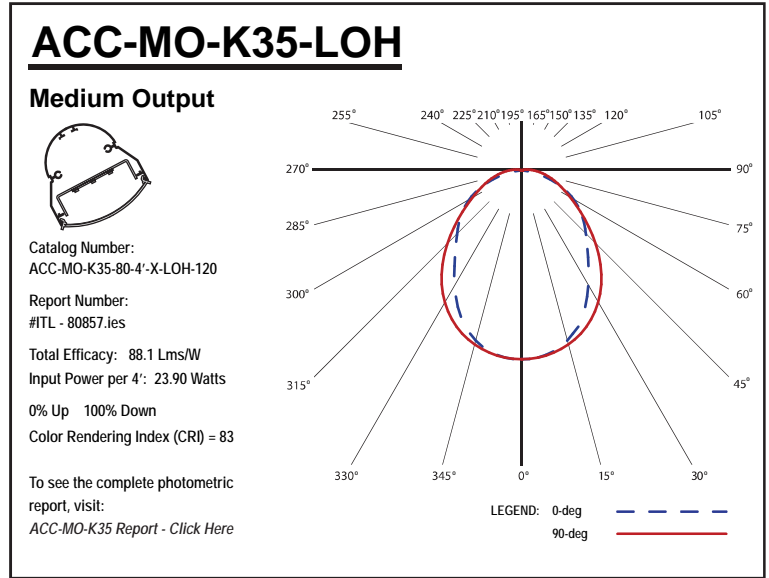
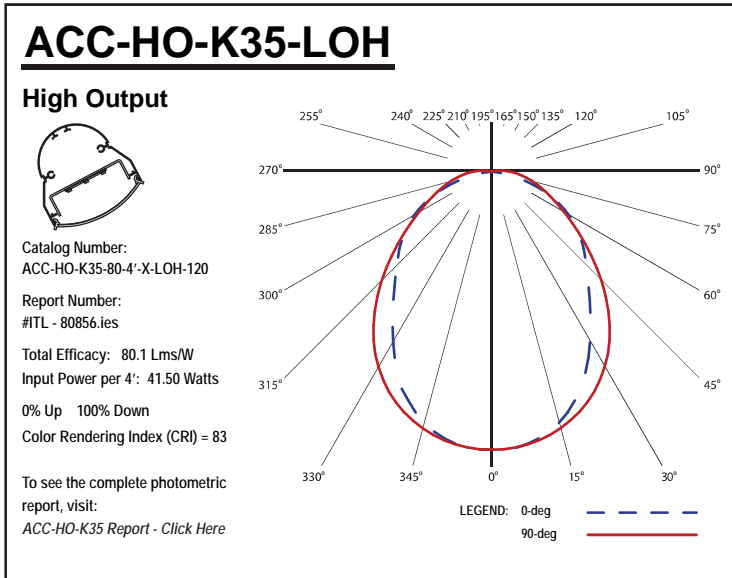
FIXTURE LENGTH	MOUNTING CENTERS	*O.A. DIMENSION
DIM 'A'	DIM 'B'	DIM 'C'
26 3/4 "	25 "	31 "
38 1/4 "	36 1/2 "	42 1/2 "
49 3/4 "	48 "	54 "
74 3/4 "	73 "	79 "
97 3/4 "	96 "	102 "

\* INCLUDES WALL BRACKETS

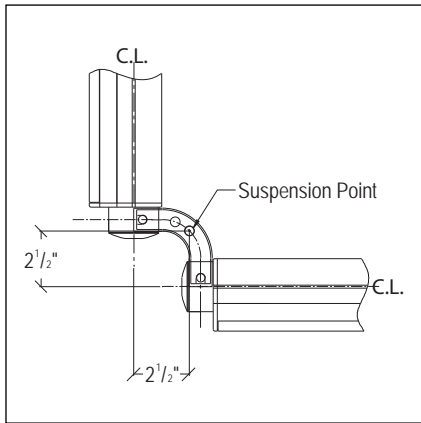


To view the WALL MOUNT installation sheet, visit:  
[Accentra Wall Mount Installation Sheet - Click Here](#)

## PHOTOMETRY / LIGHT DISTRIBUTIONS



## CONNECTOR SPECIFICATIONS



90° Elbow

- Accentra Series 3 1/4" x 3 1/4"
- Construction One piece die-cast aluminum.
- Finish Standard and premium finishes are baked powder coat electrostatically applied. (2.0 mil. minimum thickness) to assure aesthetics and durability.

Connectors should be specified and ordered as follows:

Series	Connector Type	Mounting	Finish
ACC	Accentra Series (Interior)	L90 90 Degree Connector	CN Cable (Non T-Bar)
			F01M Matte White (Standard)
			FXXX PAL Premium Colors: (F01G thru F22)
			FCC Custom Color Match Provide RAL Color# _____

