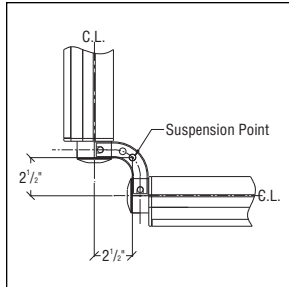


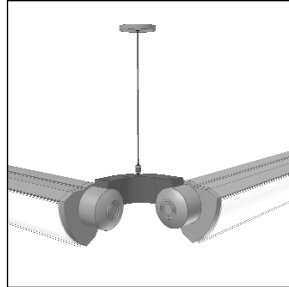
Accentra Series

Connector Specifications

S P E C I F I C A T I O N S



90° Elbow



Accentra Series 3 1/4" x 3 1/4"

Construction One piece die-cast aluminum.

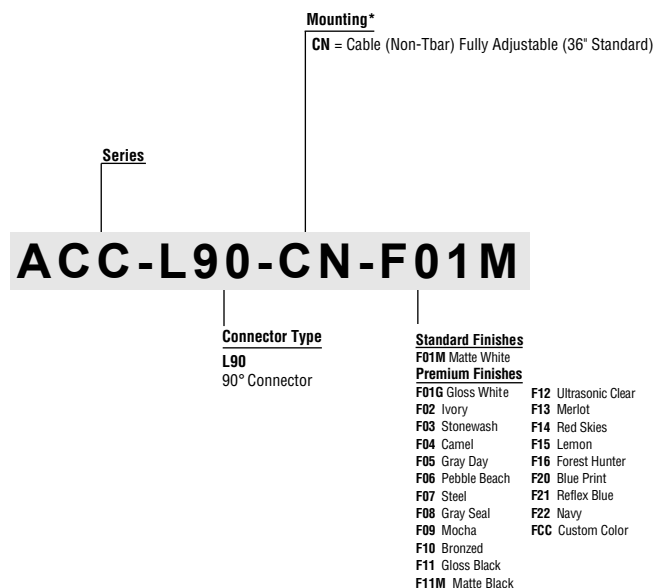
Finish Standard and premium finishes are baked powder coat electrostatically applied. (2.0 mil. minimum thickness) to assure aesthetics and durability.

H O W T O O R D E R

Standard Connectors are 2-way 90°

Catalog Logic

All connectors should be specified and ordered as follows:

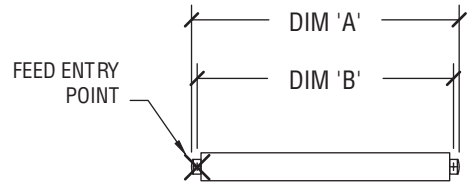
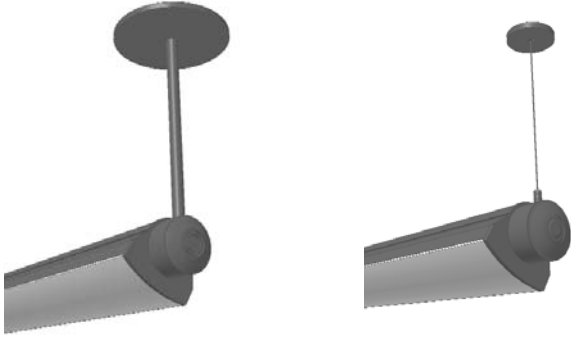


*Tbar mounting is not applicable when utilizing Connectors to form patterns.



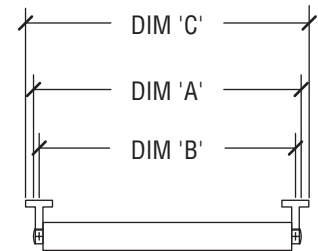
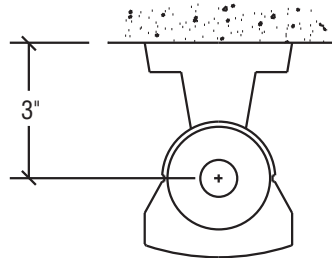
Accentra Series (LED)

Standard Fixture Lengths and Mounting Centers Stem & Cable Mounting - 359° Rotatable



FIXTURE LENGTH	MOUNTING CENTERS
DIM 'A'	DIM 'B'
26 3/4"	25"
38 1/4"	36 1/2"
49 3/4"	48"
74 3/4"	73"
97 3/4"	96"

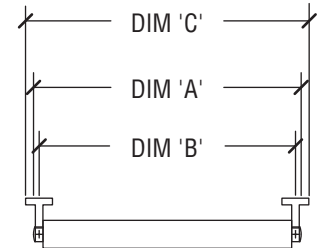
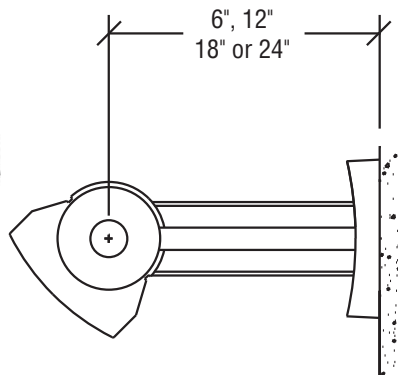
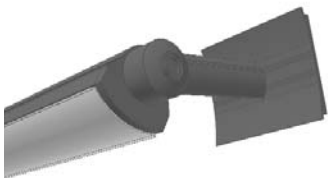
Ceiling Mounting - 359° Rotatable



FIXTURE LENGTH	MOUNTING CENTERS	*O.A. DIMENSION
DIM 'A'	DIM 'B'	DIM 'C'
26 3/4"	25"	28 1/4"
38 1/4"	36 1/2"	39 3/4"
49 3/4"	48"	51 1/4"
74 3/4"	73"	76 1/4"
97 3/4"	96"	99 1/4"

* INCLUDES SUPPORT BRACKETS

Wall Mounting - 359° Rotatable



FIXTURE LENGTH	MOUNTING CENTERS	*O.A. DIMENSION
DIM 'A'	DIM 'B'	DIM 'C'
26 3/4"	25"	31"
38 1/4"	36 1/2"	42 1/2"
49 3/4"	48"	54"
74 3/4"	73"	79"
97 3/4"	96"	102"

* INCLUDES WALL BRACKETS

PAL RESERVES THE RIGHT TO CHANGE PRODUCT DESIGN AND SPECIFICATIONS. CONTACT FACTORY FOR MOST RECENT PRODUCT INFORMATION.

