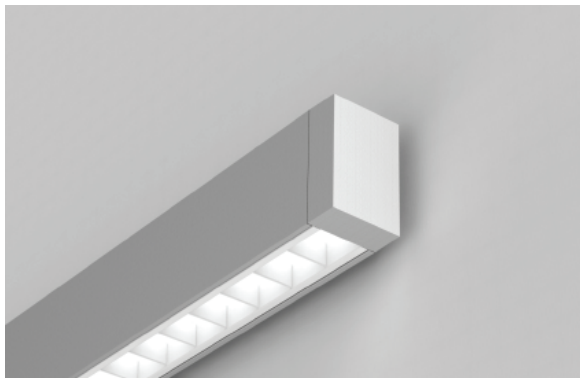


QuadraCel™ Wall Mount Series 2

Catalog Number	Type
Project Name	



S P E C I F I C A T I O N S

Housing

One-piece .070" thick extruded aluminum. Die-cast aluminum end caps are secured with no visible fasteners. Standard lengths are nominal 2', 3', 4', 6', 8', and 12'. Provisions may be made for continuous rows of any length.

Finish

Standard and premium finishes are baked powder coat electrostatically applied (2.0 mil minimum thickness) to assure aesthetics and durability.

Optical Controls

(PBXX) Snap-in baffle constructed of .030" thick aluminum with nominal 1.25" X 1.25" square cells, and includes .040" thick acrylic overlay.

Standard Baffle Finishes:

(PBMW) Matte White
(PBFS) Full Specular - 'Mirro'

(PBSS) Semi-Specular

Custom Baffle Finishes:

(PBCC) Custom Finish - Baked Powder Coat
(Contact factory)

Reflector/Heat Sink

.040" thick die-formed aluminum finished with a high reflectance white enamel.

Circuitry

All fixtures are factory pre-wired for a single circuit. Provision for multiple switching/circuiting is optional.

Driver

Osram-Sylvania "Optotronic" power supply is UL/CUL recognized, 0-10V dimming available, 120-277 universal voltage. Contact factory for optional drivers.

Light Engine

Mid-power LED module with quad-emitter arrangement centered over each baffle cell, providing optimum uniformity and performance. Available in 3000K, 3500K, and 4000K CCT, and 80 or 90 CRI. Available outputs: (Using Matte White painted baffles)

HO - High Output

*2710 Total Del'd Lms. at 32 System Watts
(Values per 4' using 4000K LED modules)

MO - Medium Output

*1660 Total Del'd Lms. at 19 System Watts
(Values per 4' using 4000K LED modules)

Wiring

All fixtures intended for continuous rows are provided with factory installed quick-connect wiring.

Integral Controls

Contact factory for daylight and/or occupancy sensor controls.

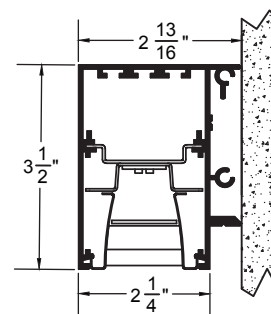
Certification

Fixtures are ETL listed for use in 'Dry or Damp Applications'. Conforms to UL Standard #1598 and to CAN/CSA Standard #C22.2No.250.0.

QP2 - Direct with Parabolic Baffle

2 1/4" X 3 1/2" Direct Wall Mount - with Baffle

ADA Compliant

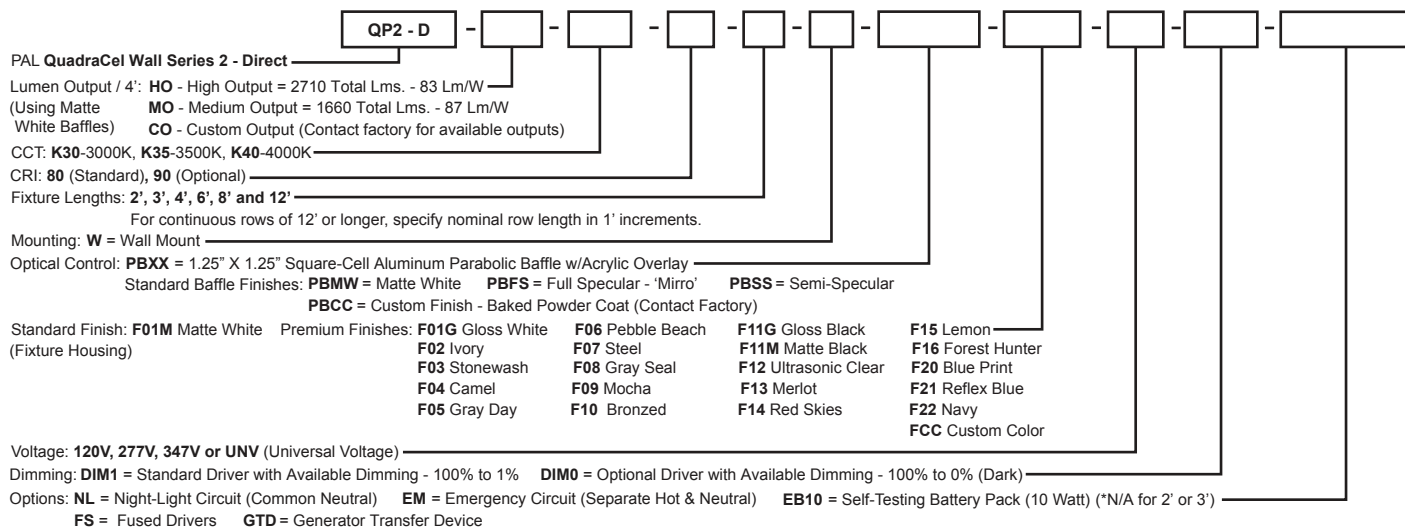


QP2-D-HO
QP2-D-MO

Note: LED drivers are factory programmable. Custom lumen outputs are available at no additional charge. Consult factory.

*Due to continued advancement in LED technology, lumen performance is subject to change. Please visit our website for the most up-to-date information.

Sample Catalog Number: **QP2 - D - HO - K40 - 80 - 4 - W - PBMW - F01M - 120 - DIM1 - OPTIONS**



Wall - Direct

QP2-HO-K40-PBMW



High Output - Direct

White Aluminum Snap-in Baffle w/Acrylic Overlay

Catalog Number: QP2-HO-K40-80-4'-X-PBMW-120

Report Number: #LLIA001357-005.ies

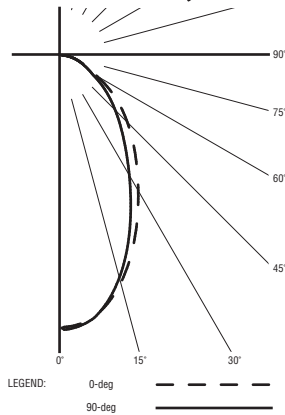
Luminaire Description: Extruded Aluminum Housing with White Aluminum Reflector and White Baffle with Acrylic Overlay.

LED Module: Multiple White Low-Power Light Emitting Diodes (LEDs) in a precise lay-out.

Total Luminaire Efficacy = 83.4 Lm/W

0% Up 100% Down

Color Rendering Index (CRI) = 82



Contact PAL factory for photometric data using baffles other than Matte White.

ZONAL LUMEN SUMMARY

Zone	Lumens	%Fixture
0- 30	1166	43.0
0- 40	1676	61.8
0- 60	2405	88.7
0- 90	2710	100.0
90- 180	0	0.0
0- 180	2710	100.0

CANDELA DISTRIBUTION

	0.0	22.5	45.0	67.5	90.0
0	1898	1898	1898	1898	1898
5	1861	1859	1863	1870	1873
15	1620	1617	1603	1589	1579
25	1244	1224	1184	1150	1135
35	903	856	798	768	766
45	637	581	525	510	516
55	393	363	331	316	313
65	185	182	181	178	177
75	97	94	91	91	90
85	22	22	21	21	21
90	0	0	0	0	0

QP2-MO-K40-PBMW



Medium Output - Direct

White Aluminum Snap-in Baffle w/Acrylic Overlay

Catalog Number: QP2-MO-K40-80-4'-X-PBMW-120

Report Number: #LLIA001357-002.ies

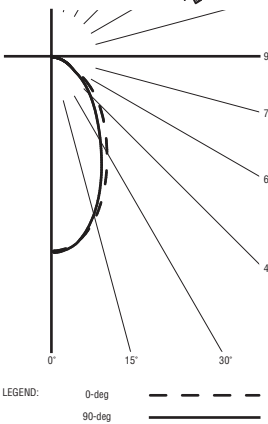
Luminaire Description: Extruded Aluminum Housing with White Aluminum Reflector and White Baffle with Acrylic Overlay.

LED Module: Multiple White Low-Power Light Emitting Diodes (LEDs) in a precise lay-out.

Total Luminaire Efficacy = 87.1 Lm/W

0% Up 100% Down

Color Rendering Index (CRI) = 83



ZONAL LUMEN SUMMARY

Zone	Lumens	%Fixture
0- 30	714	43.0
0- 40	1026	61.8
0- 60	1473	88.8
0- 90	1660	100.0
90- 180	0	0.0
0- 180	1660	100.0

CANDELA DISTRIBUTION

	0.0	22.5	45.0	67.5	90.0
0	1162	1162	1162	1162	1162
5	1139	1138	1140	1145	1146
15	992	990	981	972	966
25	762	750	725	704	694
35	553	524	488	470	469
45	390	356	322	312	316
55	241	222	203	194	192
65	114	111	111	109	109
75	59	58	56	56	55
85	14	13	13	13	13
90	0	0	0	0	0

For more information, visit our website at www.pal-lighting.com

