

# QS2 SUSPENDED SAFETY AND INSTALLATION INSTRUCTIONS

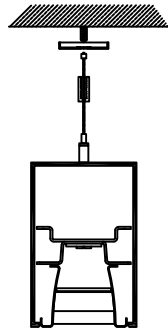
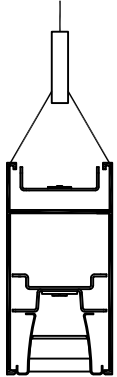
## CAUTION:

- \* BE CERTAIN THAT POWER TO FIELD WIRING HAS BEEN TURNED OFF PRIOR TO INSTALLATION.
- \* CONNECTIONS TO FIELD WIRES AND GROUNDING OF FIXTURES MUST BE DONE IN ACCORDANCE WITH APPLICABLE LOCAL & NATIONAL CODES. INSTALLATION MUST BE PERFORMED BY QUALIFIED PERSONNEL.
- \* IT IS INSTALLERS RESPONSIBILITY TO ENSURE THAT WALL, CEILING OR JUNCTION BOX IS STRUCTURALLY CAPABLE OF SUPPORTING WEIGHT OF FIXTURE .
- \* BE CERTAIN THAT SUPPLY VOLTAGE IS THE SAME AS THAT MARKED ON DRIVERS.

CE PRODUIT DOIT ÊTRE  
INSTALLÉ SELON LE CODE  
D'INSTALLATION PERTINENT,  
PAR UNE PERSONNE QUI  
CONNAÎT BIEN LE PRODUIT  
ET SON FONCTIONNEMENT  
AINSI QUE LES RISQUES  
INHÉRENTS.

## SINGLE FIXTURE INSTALLATION

### CABLE MOUNT 'OFF GRID' (CN)



QS2 SUSPENDED **INDIRECT/DIRECT** FIXTURES INTENDED FOR 'OFF GRID' CABLE MOUNTING ARE TO BE INSTALLED WITH AC21000 & AFC21000 SERIES CABLE ASSEMBLIES.

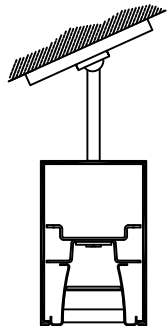
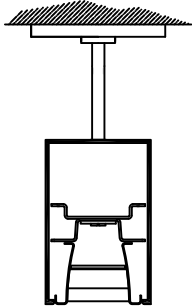
CABLE ASSEMBLIES ARE SEPARATELY SHIPPED AND ARE PROVIDED WITH INSTALLATION INSTRUCTIONS.

SEE INSTALLATION INSTRUCTION SHEET #3750160

QS2 SUSPENDED **DIRECT** FIXTURES INTENDED FOR 'OFF GRID' CABLE MOUNTING ARE TO BE INSTALLED WITH AC15000 & AFC15000 SERIES CABLE ASSEMBLIES.

CABLE ASSEMBLIES ARE SEPARATELY SHIPPED AND ARE PROVIDED WITH INSTALLATION INSTRUCTIONS.

SEE INSTALLATION INSTRUCTION SHEET #3750111



### RIGID STEM MOUNT (P)

QS2 SUSPENDED FIXTURES INTENDED FOR 'RIGID' STEM MOUNTING ARE TO BE INSTALLED WITH P100 & P101 SERIES STEM ASSEMBLIES.

STEM ASSEMBLIES ARE SEPARATELY SHIPPED AND ARE PROVIDED WITH INSTALLATION INSTRUCTIONS.

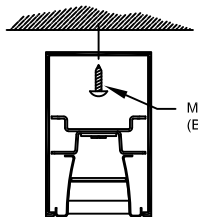
SEE INSTALLATION INSTRUCTION SHEET #3750007

### SWIVEL STEM MOUNT (K)

QS2 SUSPENDED FIXTURES INTENDED FOR 'SWIVEL' STEM MOUNTING ARE TO BE INSTALLED WITH K100 & K101 SERIES SWIVEL STEM ASSEMBLIES.

STEM ASSEMBLIES ARE SEPARATELY SHIPPED AND ARE PROVIDED WITH INSTALLATION INSTRUCTIONS.

SEE INSTALLATION INSTRUCTION SHEET #3750011



MTG. SCREW  
(BY OTHERS)

### DIRECT CEILING MOUNT (J)

QS2 INTENDED FOR DIRECT CEILING MOUNTING SHOULD BE SUITABLY ANCHORED TO CEILING OR SUPPORT STRUCTURE ABOVE WITH 1/4" SCREWS OR THREADED RODS (DEPENDING UPON CEILING CONSTRUCTION). INCOMING FEED WIRES SHOULD BE ROUTED THROUGH THE 1-1/4" DIA. FEED HOLE IN FIXTURE HOUSING AND WIRE CONNECTIONS MADE IN FIXTURE WIREWAY CHAMBER. INCOMING FEED WIRES AND CONNECTORS MUST BE RATED FOR 90°C MINIMUM.

**REFERENCE BACK PAGE FOR CONTINUOUS ROW  
INSTALLATION & ATTACHMENT TO CONNECTORS**



# QS2 SUSPENDED SAFETY AND INSTALLATION INSTRUCTIONS

## ROW INSTALLATION

### CAUTION

DO NOT ATTEMPT TO ASSEMBLE FIXTURE PATTERNS ON GROUND THEN LIFT INTO POSITION. ATTEMPTING TO ASSEMBLE AND INSTALL FIXTURES IN THIS MANNER MAY CREATE STRESS AT CONNECTIONS RESULTING IN DAMAGE AND/OR MECHANICAL FAILURE.

### STEP 1:

INSTALL FIRST FIXTURE IN ROW OBSERVING INSTRUCTIONS PROVIDED WITH MOUNTING HARDWARE AND SHOP DRAWING. (FIG. 1& FIG. 2)

### STEP 2:

POSITION SECOND FIXTURE SUCH THAT IT ALIGNS WITH JOINT END OF FIRST FIXTURE. SLIDE FIXTURE PART WAY ONTO ALIGNMENT PLATE AND HANG THE INTERMEDIATE OR END OF ROW CABLE ASSEMBLY AS ILLUSTRATED. REMOVE 1/4-20 FLANGED NUT FROM JOINT ALIGNMENT BRACKET. PLUG WIRE HARNESSES TOGETHER (IF PROVIDED) AND PUSH EXCESS WIRE INTO WIREWAY CHAMBER. (FIG. 2)

### STEP 3:

PUSH FIXTURES TIGHTLY TOGETHER MAKING SURE THAT THE ALIGNMENT SPLICES AND ALIGNMENT PLATE SLIDE INTO THE INTERIOR TRACKS OF EACH FIXTURE HOUSING AND SPAN THE FIXTURE JOINT. MAKE CERTAIN THERE ARE NO WIRES PINCHED BETWEEN FIXTURES AT JOINT. RE-INSTALL 1/4-20 NUT ON JOINT ALIGNMENT BRACKET AND TIGHTEN SUFFICIENTLY TO DRAW FIXTURES TOGETHER. (FIG.2)

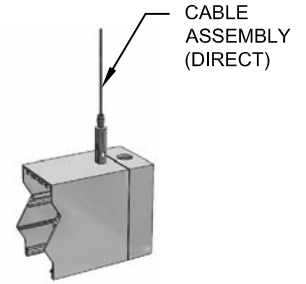


FIG. 1

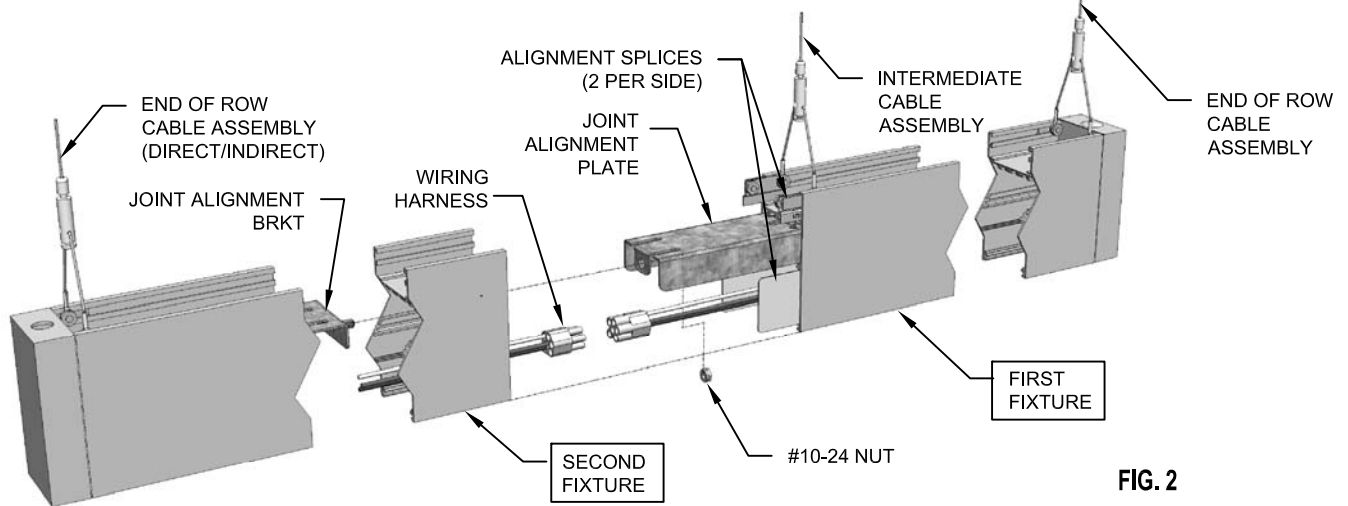


FIG. 2

### DIRECT/INDIRECT ASSEMBLY ILLUSTRATED

### STEP 4:

CONTINUE TO INSTALL AND ASSEMBLE REMAINING FIXTURES IN ROW FOLLOWING STEPS 2 & 3.

## ATTACHMENT TO CONNECTORS

### CAUTION

DO NOT ATTEMPT TO ASSEMBLE FIXTURE PATTERNS ON GROUND THEN LIFT INTO POSITION. ATTEMPTING TO ASSEMBLE AND INSTALL FIXTURES IN THIS MANNER MAY CREATE STRESS AT CONNECTIONS RESULTING IN DAMAGE AND/OR MECHANICAL FAILURE.

### STEP 1:

INSTALL AC9000 CABLE ASSEMBLIES ONTO CONNECTORS BY THREADING ADJUSTABLE FITTING ONTO THREADED STUD INSIDE CONNECTOR.

### STEP 2:

MOUNT CONNECTOR BOX/CABLE ASSEMBLIES AND ANY INTERMEDIATE CABLE ASSEMBLIES IN LOCATIONS INDICATED ON SHOP DRAWING. FOLLOW INSTALLATION INSTRUCTIONS INCLUDED WITH EACH CABLE ASSEMBLY. CONNECTOR COVER SHOULD BE TEMPORARILY POSITIONED ABOVE CONNECTOR TO ALLOW ACCESS INSIDE THE CONNECTOR.

### STEP 3:

POSITION FIRST FIXTURE SUCH THAT IT ALIGNS WITH THE APPROPRIATE SIDE OF THE CORNER BOX AND SLIDE THE FIXTURE ONTO THE ALIGNMENT PLATE, MAKING SURE THE ALIGNMENT PLATE IS ENGAGED IN THE INTERIOR TRACKS OF THE FIXTURE HOUSING. BE CERTAIN WIRES ARE ROUTED WITHIN THE FIXTURE WIREWAY AND NOT PINCHED BETWEEN CORNER BOX & FIXTURE. PUSH FIXTURE TIGHTLY AGAINST CORNER BOX AND SECURE WITH THE WELD STUDS AND #10-24 NUTS PROVIDED IN THE FIXTURE. CONTINUE TO MOUNT OTHER FIXTURES IN PATTERN IN A SIMILAR FASHION UNTIL PATTERN IS COMPLETE.

### STEP 4:

PULL FIXTURE WIRES THROUGH OR MAKE CONNECTIONS WITHIN THE CONNECTOR ASSEMBLY AS REQUIRED. ATTACH CONNECTOR COVER TO CONNECTOR WITH FOUR #8-32 FLAT HEAD SCREWS PROVIDED.

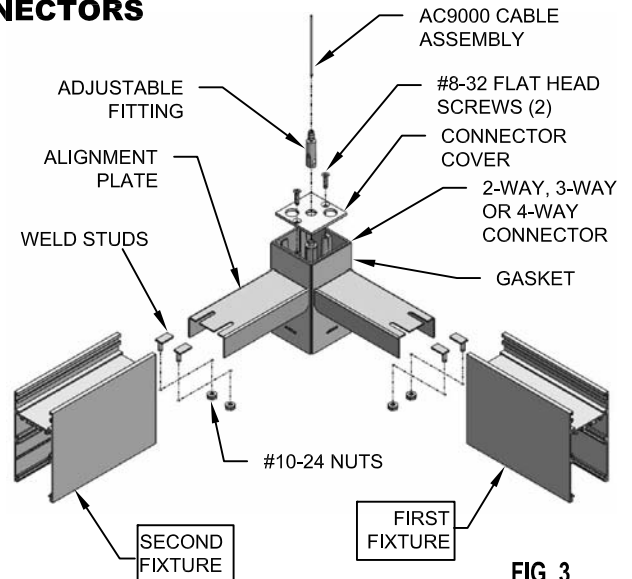


FIG. 3

### DIRECT/INDIRECT ASSEMBLY ILLUSTRATED

