

P.A.L. QUADRACEL (QR2) (QP2) (QS2) LED MODULE REPLACEMENT

READ ALL INSTRUCTIONS FIRST BEFORE REMOVING OR INSTALLING ANY COMPONENTS

NOTE: MAKE CERTAIN THAT POWER IS DISCONNECTED FROM FIXTURE BEFORE PROCEEDING WITH MAINTENANCE. ALL FIXTURE MAINTENANCE SHOULD BE PERFORMED BY QUALIFIED PERSONNEL ONLY

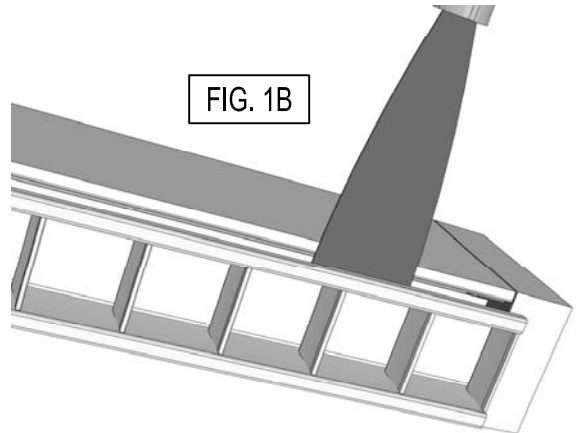
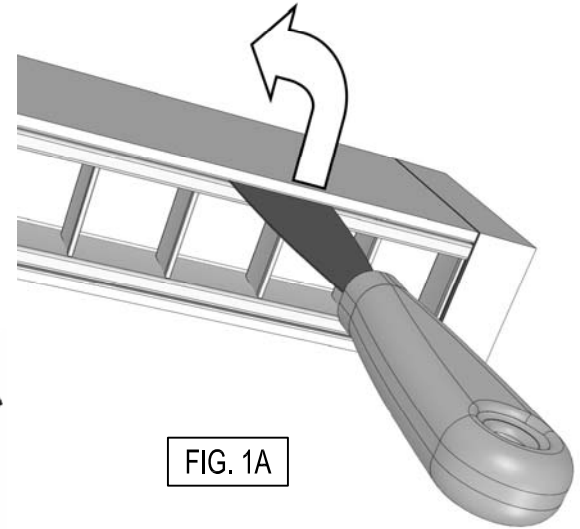
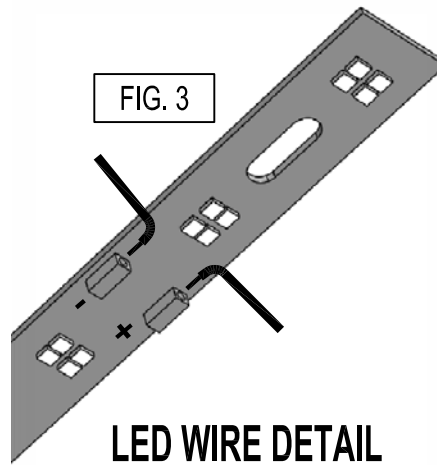
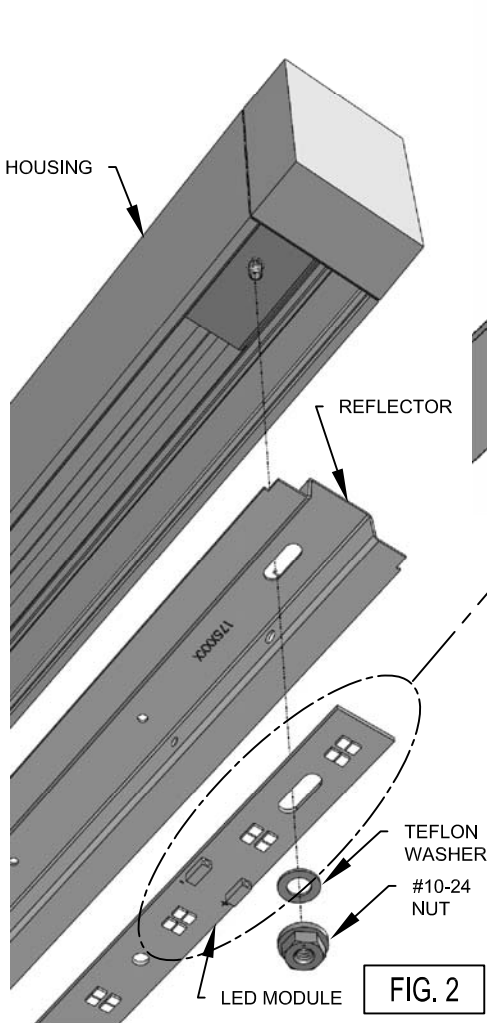
STEP 1:

REMOVE BAFFLE: INSERT A 1"-2" SCRAPER BETWEEN FIXTURE HOUSING AND BAFFLE ABOUT 5" IN FROM ONE END. GENTLY PRY OUT ONE CORNER OF BAFFLE. GRASP CORNER OF BAFFLE WITH ONE HAND AND REMOVE FROM FIXTURE. (FIG 1A & 1B)

STEP 2:

REMOVE REFLECTOR: UNSCREW #10 NUT AT EACH END OF REFLECTOR AND REMOVE REFLECTOR FROM FIXTURE.

NOTE: RETAIN TEFLON WASHERS THAT ARE UNDER #10-24 NUT. (FIG 2)



STEP 3:

REMOVE DEFECTIVE LED MODULE: CUT RED/WHITE AND BLUE/WHITE WIRES AS CLOSE TO LED QUICK-CONNECT TERMINAL AS POSSIBLE & RE-STRIP BOTH WIRES. UNSCREW DEFECTIVE LED MODULE FROM REFLECTOR AND REPLACE WITH A NEW MODULE. INSERT RED/WHITE WIRE INTO "+" TERMINAL & BLUE/WHITE WIRE INTO "-" TERMINAL. (FIG 3)

STEP 4:

REPLACE REFLECTOR: RE-INSTALL REFLECTOR WITH (2) #10-24 NUTS MAKING SURE TO PLACE TEFLON WASHER BETWEEN MODULE & NUT. AT THIS POINT ENERGIZE FIXTURE & TEST FOR PROPER OPERATION (FIG 2)

STEP 5:

REPLACE BAFFLE: SNAP BAFFLE BACK INTO FIXTURE HOUSING MAKING SURE IT IS FLUSH WITH FIXTURE HOUSING ALONG EACH SIDE.



P.A.L. QUADRACEL (QR2) (QP2) (QS2) LED DRIVER REPLACEMENT

READ ALL INSTRUCTIONS FIRST BEFORE REMOVING OR INSTALLING ANY COMPONENTS

NOTE: MAKE CERTAIN THAT POWER IS DISCONNECTED FROM FIXTURE BEFORE PROCEEDING WITH MAINTENANCE. ALL FIXTURE MAINTENANCE SHOULD BE PERFORMED BY QUALIFIED PERSONNEL ONLY

STEP 1:

REMOVE BAFFLE: INSERT A 1"-2" SCRAPER BETWEEN FIXTURE HOUSING AND BAFFLE ABOUT 5" IN FROM ONE END. GENTLY PRY OUT ONE CORNER OF BAFFLE. GRASP CORNER OF BAFFLE WITH ONE HAND AND REMOVE FROM FIXTURE. (FIG 1 & 2 OPPOSITE PAGE)

STEP 2:

REMOVE REFLECTOR: UNSCREW #10 NUT AT EACH END OF REFLECTOR AND REMOVE REFLECTOR FROM FIXTURE.

NOTE: RETAIN TEFLON WASHERS THAT ARE UNDER #10-24 NUT. (FIG 3)

STEP 3:

REMOVE DRIVER: REMOVE ALL WIRES FROM DRIVER BY PUSHING ON WIRE RELEASE BUTTON ADJACENT TO EACH WIRE WITH A SMALL POINTED INSTRUMENT. UNSCREW #10-24 NUT AT EACH END AND REMOVE DEFECTIVE DRIVER. INSTALL NEW DRIVER AND INSERT WIRES INTO APPROPRIATE TERMINALS. (FIG 4)

NOTE: REPLACEMENT DRIVER MUST BE PROGRAMMED BEFORE INSTALLATION.

STEP 4:

REPLACE REFLECTOR: RE-INSTALL REFLECTOR WITH #10-24 NUTS MAKING SURE TO PLACE TEFLON WASHER BETWEEN LED MODULE AND NUT. AT THIS POINT TEST FIXTURE FOR PROPER OPERATION. (FIG 3)

STEP 5:

REPLACE BAFFLE: SNAP BAFFLE BACK INTO FIXTURE HOUSING, MAKING SURE IT IS FLUSH WITH FIXTURE HOUSING ALONG EACH SIDE.

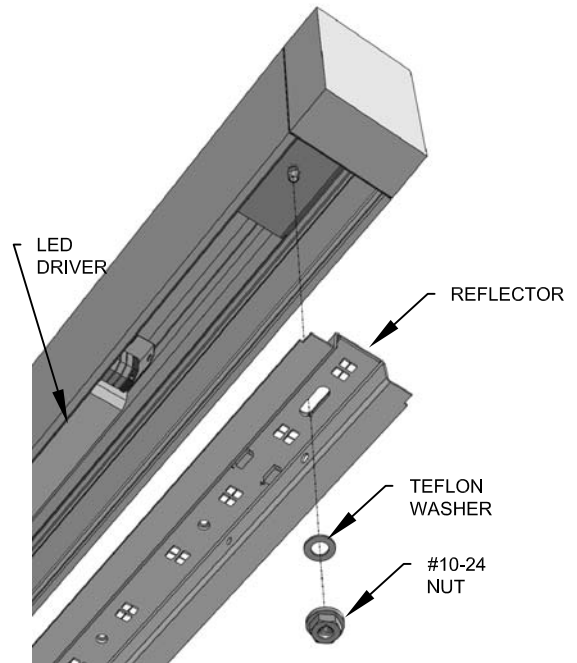


FIG. 3

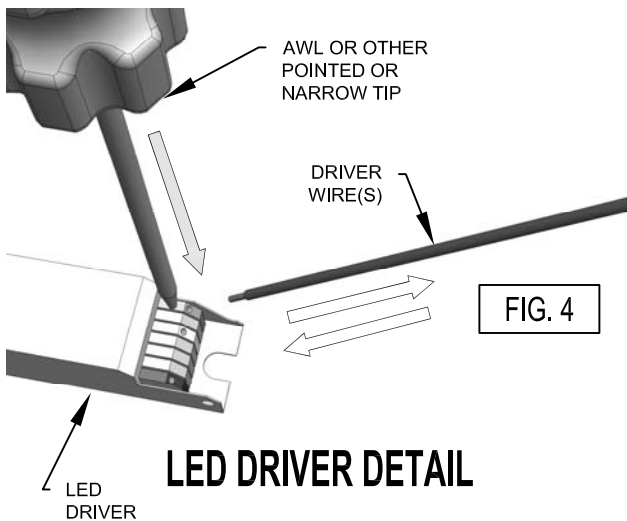


FIG. 4

