

# QR2 LED- SPACKLE FLANGE SAFETY AND INSTALLATION INSTRUCTIONS

## CONTINUOUS ROW INSTALLATION (ADJUSTABLE YOKE MOUNTING ILLUSTRATED)

NOTE: A FACTORY SHOP DRAWING IS PROVIDED FOR ALL CONTINUOUS ROW INSTALLATIONS. IF YOU ARE NOT IN POSSESSION OF A DRAWING, CONTACT YOUR LOCAL P.A.L. REPRESENTATIVE OR THE FACTORY TO OBTAIN ONE.

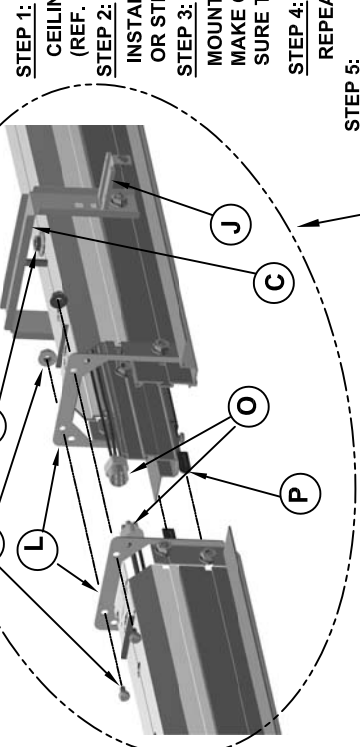


FIG. 8

### STEP 1:

CEILING CONTRACTOR TO PROVIDE SUPPORT T's OR CARRYING CHANNELS AS DESCRIBED IN STEP 1 ON FRONT PAGE. (REF. FIG. 1 OR 2)

### STEP 2:

INSTALL FIRST FIXTURE (END OF ROW) FOLLOWING STEPS 2 THROUGH 5 FOR YOKE MOUNTING. (PAGE 2) OR STEPS 1 THROUGH 3 FOR THREADED ROD MOUNTING. (PAGE 3)

### STEP 3:

MOUNT NEXT FIXTURE IN A SIMILAR FASHION AS FIRST FIXTURE SUCH THAT THE ALIGNMENT TABS (P) FIT INTO THE FIRST FIXTURE. MAKE CONNECTION OF THE WIRE HARNESS (O) AND PUSH EXCESS WIRE BACK INTO FIXTURE. SLIDE FIXTURES TOGETHER, MAKING SURE THAT WIRE IS NOT PINCHED BETWEEN JOINT, AND BOLT FIXTURES TOGETHER WITH NUTS AND BOLTS (N) SUPPLIED. (REF. FIG. 8)

### STEP 4:

REPEAT STEP (3) AS REQUIRED TO COMPLETE ROW AS INDICATED ON FACTORY SHOP DRAWING.

### STEP 5:

REMOVE ACCESS PLATE (E) AT LEFT HAND END OF ROW AND PULL FIXTURE LEADS OUT THROUGH OPENING. REMOVE KNOCK-OUT FROM ACCESS PLATE AND INSTALL FLEXIBLE CONDUIT FEED (D) TO ACCESS PLATE. ATTACH GROUND WIRE TO STUD ON INSIDE OF ACCESS PLATE AND MAKE OTHER WIRE CONNECTIONS MAINTAINING COLOR CODING OF WIRES. PUSH EXCESS WIRE INTO FIXTURE HOUSING AND SECURE ACCESS PLATE TO HOUSING ENSURING THAT WIRES ARE NOT PINCHED BETWEEN FIXTURE AND ACCESS PLATE. (REF. FIG. 9)

### STEP 6:

INSTALL REFLECTORS (YOKE MOUNTING ONLY) ROTATE FLANGE SPACER BRACKET (M) INTO POSITION AND SECURE TO PERFORATED FLANGE WITH SCREWS PROVIDED. (FIG. 4A)

### STEP 7:

DRYWALL CONTRACTOR TO ATTACH DRYWALL TO PERIMETER FLANGE SERRATED SECTION (I) OF FIXTURE WITH SELF DRILLING DRYWALL SCREWS. (REF. PAGE 1 FIGURES 1OR 2)

### STEP 8:

REMOVE AND DISCARD FLANGE SPACER BRACKET (M). INSTALL PLASTER SHIELDS PROVIDED AND INSTALL DRYWALL TAPE SUCH THAT IT COMPLETELY COVERS PERIMETER FLANGE PERFORATED SECTION (H) OF FIXTURE AND EXTENDS ONTO ADJOINING DRYWALL. CAUTION: DO NOT ALLOW TAPE TO ENCRUSH ON PLASTER FLOAT GUIDE (G) OF FIXTURE FLANGE. FLOAT AND FINISH CEILING AS REQUIRED, USING SHIELD PROVIDED TO KEEP FLOATING COMPOUND OUT OF LIGHTED OPENING.

### STEP 9:

INSTALL BAFFLE. ENERGIZE FIXTURE AND CHECK FOR PROPER OPERATION.

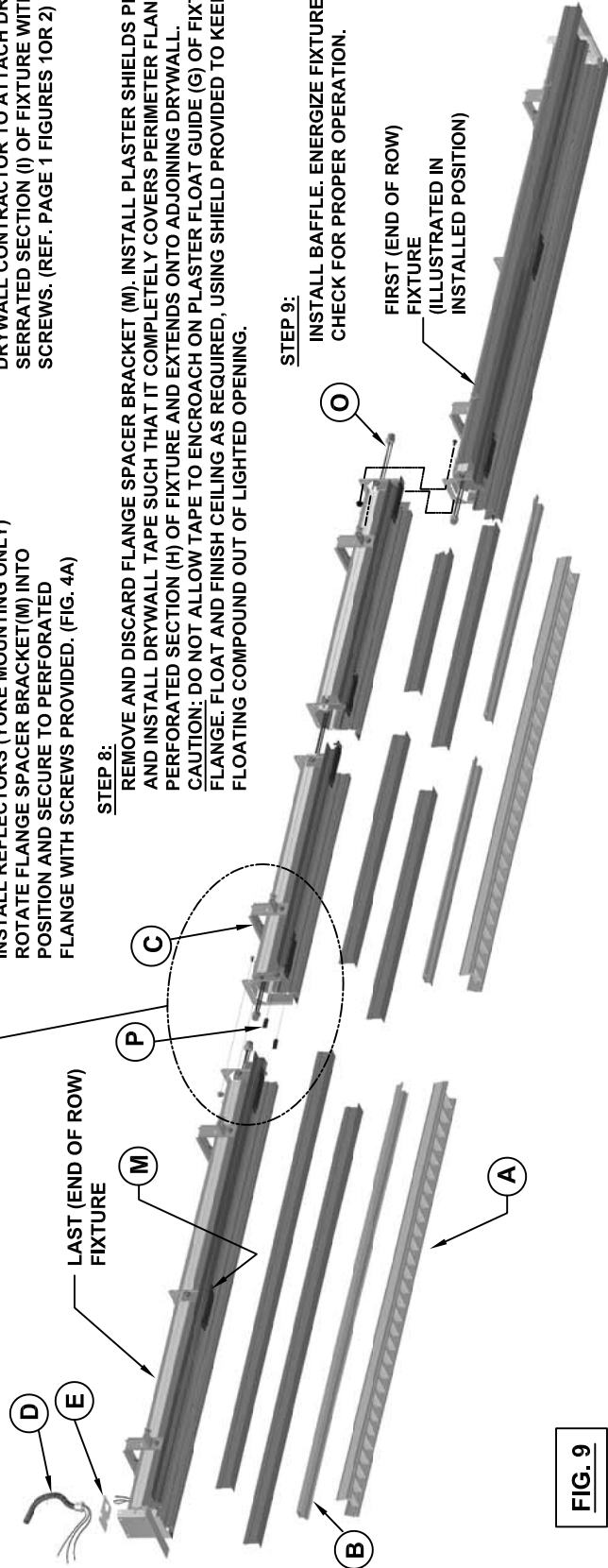


FIG. 9

LAST (END OF ROW) FIXTURE

D E

P

M

C

B

A

### LEGEND:

- A- BAFFLE
- B- REFLECTOR
- C- ADJUSTABLE YOKE
- D- FLEXIBLE CONDUIT (BY OTHERS)
- E- POWER ACCESS PLATE
- F- CARRIAGE BOLT ASSEMBLY
- G- FLOAT GUIDE
- H- PERFORATED FLANGE
- I- SERRATED FLANGE
- J- YOKE SUPPORT WING
- K- LOWER NUT
- L- CROSS BRACE
- M- FLANGE SPACER BRACKET
- N- NUTS AND BOLTS
- O- WIRE HARNESS
- P- ALIGNMENT TAB

\* ILLUSTRATED ON FRONT PAGE



Precision Architectural Lighting 4830 Timber Creek Drive Houston, Texas 77017  
Tel (713) 946-4343 Fax (713) 946-4441 www.pal-lighting.com

PAL RESERVES THE RIGHT TO CHANGE PRODUCT DESIGN AND SPECIFICATIONS. CONTACT FACTORY FOR MOST RECENT PRODUCT INFORMATION.

3750214-4 2/2021

# QR2 LED- SPACKLE FLANGE SAFETY AND INSTALLATION INSTRUCTIONS

## CAUTION:

- \* BE CERTAIN THAT POWER TO FIELD WIRING HAS BEEN TURNED OFF PRIOR TO INSTALLATION.
- \* CONNECTIONS TO FIELD WIRES AND GROUNDING OF FIXTURES MUST BE DONE IN ACCORDANCE WITH APPLICABLE LOCAL & NATIONAL CODES. INSTALLATION MUST BE PERFORMED BY QUALIFIED PERSONNEL.
- \* IT IS INSTALLERS RESPONSIBILITY TO ENSURE THAT WALL, CEILING OR JUNCTION BOX IS STRUCTURALLY CAPABLE OF SUPPORTING WEIGHT OF FIXTURE.
- \* BE CERTAIN THAT SUPPLY VOLTAGE IS THE SAME AS THAT MARKED ON DRIVERS.

CE PRODUIT DOIT ÊTRE INSTALLÉ SELON LE CODE D'INSTALLATION PERTINENT, PAR UNE PERSONNE QUI CONNAÎT BIEN LE PRODUIT ET SON FONCTIONNEMENT AINSI QUE LES RISQUES INHÉRENTS.

## "ADJUSTABLE YOKE MOUNTING BRACKET" INDIVIDUAL FIXTURE INSTALLATION

### STEP 1:

#### DRYWALL "T" CEILING CONSTRUCTION (FIG 1)

CEILING CONTRACTOR TO PROVIDE TWO FIXED MAIN "T's" ON CENTERS INDICATED IN FIG. 1 BY LENGTH OF FIXTURE RUN AS INDICATED ON FACTORY SHOP DRAWINGS. T's SHOULD BE ADEQUATELY SUPPORTED TO CARRY WEIGHT OF FIXTURE.

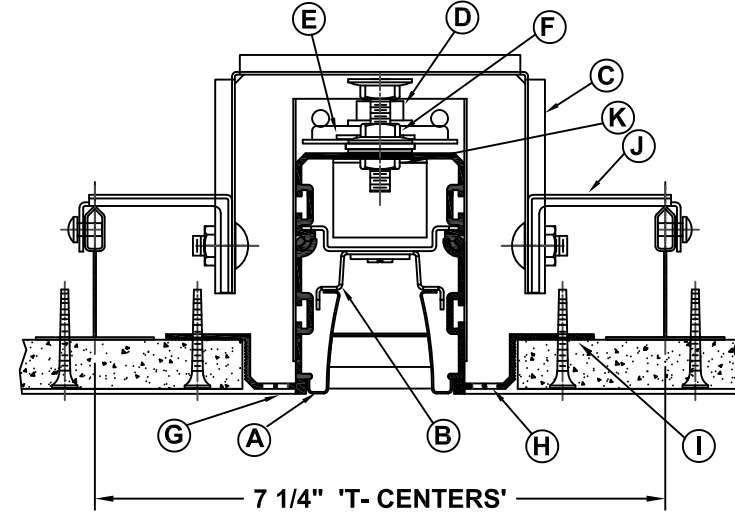


FIG. 1

NOTE:  
THE FIXTURE MUST BE COMPLETELY INSTALLED BEFORE DRYWALL CAN BE ATTACHED TO CEILING FRAMING AND FIXTURE FLANGES.

#### METAL FURRING AND CARRYING CHANNEL CEILING CONSTRUCTION (FIG 2)

CEILING CONTRACTOR TO PROVIDE TWO FIXED CARRYING CHANNELS WITH A FACE TO FACE DIMENSION INDICATED IN FIG. 2 BY THE LENGTH OF FIXTURE RUN AS INDICATED ON FACTORY SHOP DRAWINGS. NOTE THAT THE FURRING CHANNEL SHOULD NOT INFRINGE UPON THE FACE TO FACE OPENING INDICATED IN FIG. 2 CREATED BY THE CARRYING CHANNELS.

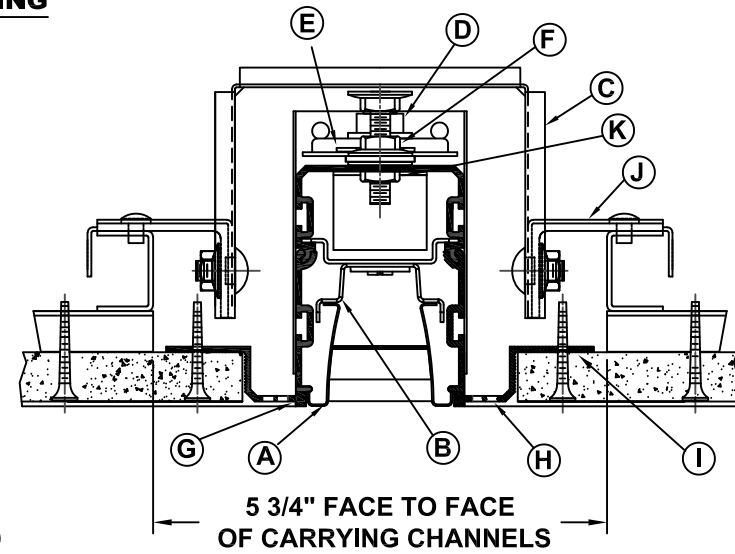


FIG. 2

### NOTE:

IF YOU ARE NOT IN POSSESSION OF A SHOP DRAWING, CONTACT YOUR LOCAL REPRESENTATIVE OR THE FACTORY TO OBTAIN ONE.

INSTRUCTIONS CONTINUED ON FOLLOWING PAGE



Precision Architectural Lighting 4830 Timber Creek Drive Houston, Texas 77017  
Tel (713) 946-4343 Fax (713) 946-4441 www.pal-lighting.com

PAL RESERVES THE RIGHT TO CHANGE PRODUCT DESIGN AND SPECIFICATIONS. CONTACT FACTORY FOR MOST RECENT PRODUCT INFORMATION.

3750214-1 2/2021

# QR2 LED- SPACKLE FLANGE SAFETY AND INSTALLATION INSTRUCTIONS

## "ADJUSTABLE YOKE MOUNTING BRACKET"

### INDIVIDUAL FIXTURE INSTALLATION

**STEP 2:**

DETERMINE APPROPRIATE POSITION OF YOKE SUPPORT WINGS (J) AND TIGHTEN TO YOKE WITH 1/4-20 CARRIAGE BOLTS AND NUTS PROVIDED. (REF. FIG. 3)

**STEP 3:**

REMOVE BAFFLE (A) AND REFLECTOR (B) FROM FIXTURE. REMOVE LOWER NUT (K) FROM YOKE ASSEMBLY (C) AND ADJUST UPPER JAM NUT (L) TO THE UPPERMOST POSITION. ATTACH TWO YOKE ASSEMBLIES (C) TO HOUSING THROUGH MOUNTING HOLES PROVIDED WITH PREVIOUSLY REMOVED NUT. (REF. FIG. 4)

**STEP 4:**

ROTATE YOKE ASSEMBLY TO CLEAR OPENING AND RAISE FIXTURE UP THROUGH CEILING FRAMING OPENING. ONCE FIXTURE CLEARS SUPPORTS, ROTATE YOKES SO THAT THEY ARE PERPENDICULAR TO THE HOUSING AND LOWER ENTIRE ASSEMBLY ONTO SUPPORT STRUCTURE. AT THIS POINT THE YOKE SUPPORT WINGS MAY BE SECURED TO THE CEILING STRUCTURE. (FASTENERS BY OTHERS)

**STEP 5:**

ADJUST LOWER NUT (K) WITHIN FIXTURE HOUSING SUCH THAT THE SERRATED FLANGE (I) IS FLUSH WITH CEILING FRAMING. TIGHTEN UPPER JAM NUT DOWN ONTO FIXTURE HOUSING TO LOCK IT INTO POSITION. (REF. PAGE 1 FIGURES 1 & 2)

**STEP 6:**

REMOVE ACCESS PLATE (E) AND PULL FIXTURE LEADS OUT THROUGH OPENING. REMOVE KNOCK-OUT FROM ACCESS PLATE AND INSTALL FLEXIBLE CONDUIT FEED (D) TO ACCESS PLATE. ATTACH GROUND WIRE TO STUD ON INSIDE OF ACCESS PLATE AND MAKE OTHER WIRE CONNECTIONS MAINTAINING COLOR CODING OF WIRES. PUSH EXCESS WIRE INTO FIXTURE HOUSING AND SECURE ACCESS PLATE TO HOUSING INSURING THAT WIRES ARE NOT PINCHED BETWEEN FIXTURE AND ACCESS PLATE. (REF. FIG.4)

**STEP 7:**

INSTALL REFLECTORS AND ROTATE FLANGE SPACER BRACKET INTO POSITION AND SECURE TO PERFORATED FLANGE WITH SCREWS PROVIDED. (FIG. 4A)

**STEP 8:**

DRYWALL CONTRACTOR TO ATTACH DRYWALL TO PERIMETER FLANGE SERRATED SECTION (I) OF FIXTURE WITH SELF DRILLING DRYWALL SCREWS. (REF. PAGE 1 FIGURES 1 & 2)

**STEP 9:**

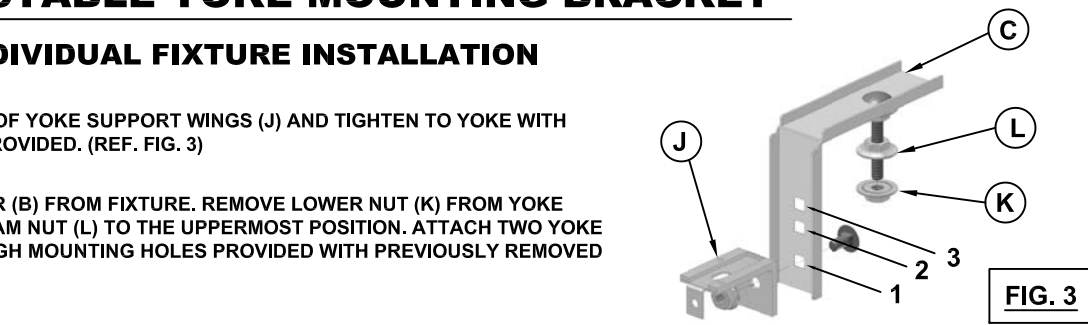
REMOVE AND DISCARD FLANGE SPACER BRACKET (M). INSTALL PLASTER SHIELDS PROVIDED AND INSTALL DRYWALL TAPE SUCH THAT IT COMPLETELY COVERS PERIMETER FLANGE PERFORATED SECTION (H) OF FIXTURE AND EXTENDS ONTO ADJOINING DRYWALL. **CAUTION:** DO NOT ALLOW TAPE TO ENCRONCH ON PLASTER FLOAT GUIDE (G) OF FIXTURE FLANGE. FLOAT AND FINISH CEILING AS REQUIRED, USING SHIELD PROVIDED TO KEEP FLOATING COMPOUND OUT OF LIGHTED OPENING.

**STEP 10:**

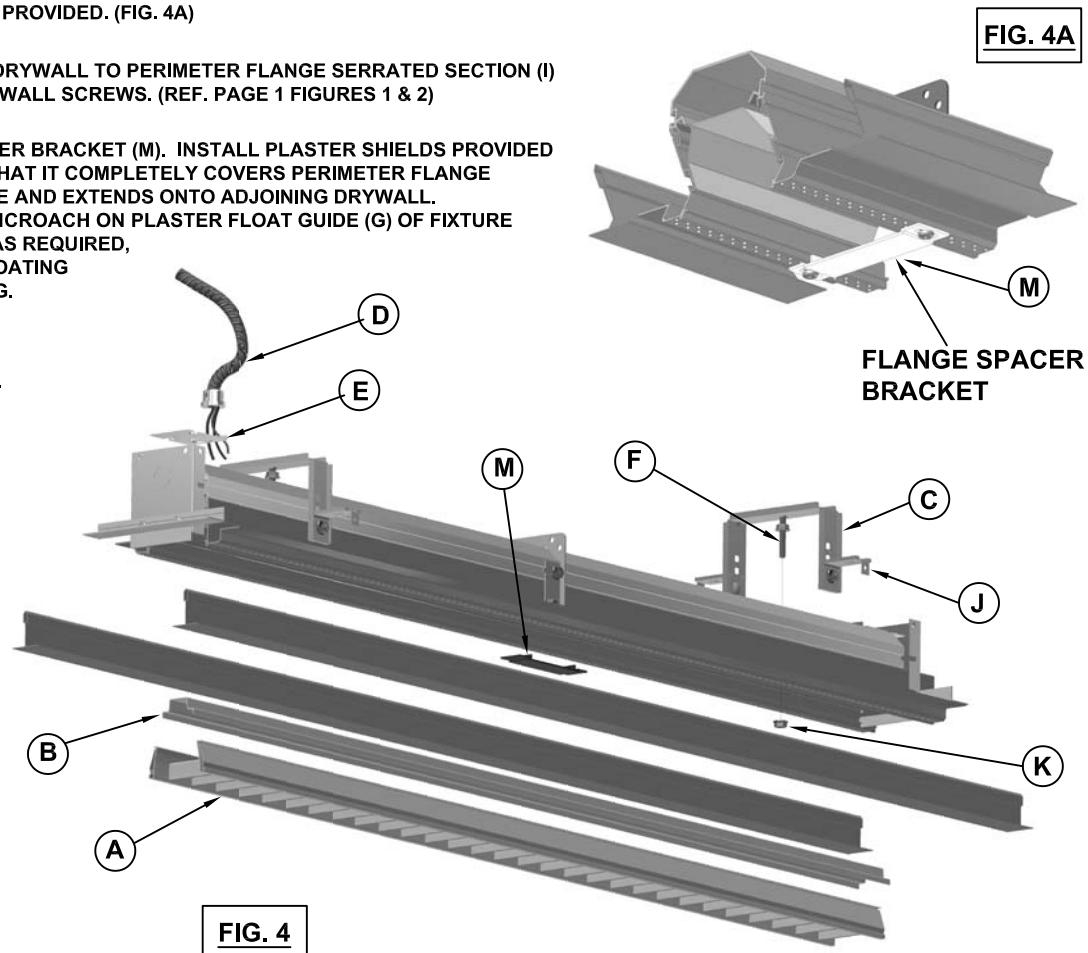
INSTALL BAFFLE. ENERGIZE FIXTURE AND CHECK FOR PROPER OPERATION.

**LEGEND:**

- A- BAFFLE
- B- REFLECTOR
- C- ADJUSTABLE YOKE
- D- FLEXIBLE CONDUIT (BY OTHERS)
- E- POWER ACCESS PLATE
- F- CARRIAGE BOLT ASSEMBLY
- \* G- FLOAT GUIDE
- \* H- PERFORATED FLANGE
- \* I- SERRATED FLANGE
- J- YOKE SUPPORT WING
- K- LOWER NUT
- L- JAM NUT
- M- FLANGE SPACER BRACKET



CEILING SUPPORT	POSITION
1-11/16" "T"	1
3/4" CHANNEL	1
1-1/2" CHANNEL	2
2" CHANNEL	3



\* ILLUSTRATED ON FRONT PAGE

# QR2 LED- SPACKLE FLANGE SAFETY AND INSTALLATION INSTRUCTIONS

## "THREADED ROD BRACKET MOUNTING"

### INDIVIDUAL FIXTURE INSTALLATION

**STEP 1:**

PROVIDE TWO PAIR OF 1/4-20 THREADED RODS (F) ON CENTERS AS INDICATED IN FIG. 5 BY LENGTHWISE SPACING AS INDICATED ON FACTORY SHOP DRAWING. THREADED RODS SHOULD BE SECURELY ATTACHED TO STRUCTURE ABOVE AND TERMINATE APPROXIMATELY 3" ABOVE FINISHED CEILING LINE. THREAD ONE JAM NUT ON EACH THREADED ROD TO A POINT ABOVE FINAL HEIGHT ADJUSTMENT. (REF. FIG. 5)

\* IF YOU ARE NOT IN THE POSSESSION OF A SHOP DRAWING, CONTACT YOUR LOCAL REPRESENTATIVE OR THE FACTORY TO OBTAIN ONE.

**STEP 2:**

SECURE SUPPORT BRACKET (C) ONTO EACH END OF FIXTURE WITH 10-24 NUTS PROVIDED (REF. FIG. 6)

**STEP 3:**

RAISE FIXTURE SUCH THAT THREADED RODS ARE PASSING THROUGH HOLES IN SUPPORT BRACKET. THREAD 1/4-20 NUTS ONTO RODS AND ADJUST SUCH THAT FIXTURE FLOAT GUIDE (G) IS FLUSH WITH FINISHED CEILING LINE. TIGHTEN JAM NUTS AGAINST UPPER SIDE OF BRACKET TO LOCK ASSEMBLY INTO POSITION. ADDITIONAL CROSSWISE AND LENGTHWISE SUPPORT MAY BE NECESSARY TO ENSURE THAT FIXTURE REMAINS IN PROPER POSITION DURING DRYWALL INSTALLATION.

**STEP 4:**

REMOVE ACCESS PLATE (E) AND PULL FIXTURE LEADS OUT THROUGH OPENING. REMOVE KNOCK-OUT FROM ACCESS PLATE AND INSTALL FLEXIBLE CONDUIT FEED (D) TO ACCESS PLATE. ATTACH GROUND WIRE TO STUD ON INSIDE OF ACCESS PLATE AND MAKE OTHER WIRE CONNECTIONS MAINTAINING COLOR CODING OF WIRES. PUSH EXCESS WIRE INTO FIXTURE HOUSING AND SECURE ACCESS PLATE TO HOUSING INSURING THAT WIRES ARE NOT PINCHED BETWEEN FIXTURE AND ACCESS PLATE. (REF. FIG.7)

**STEP 5:**

REMOVE BAFFLE (A) AT THIS TIME AND ROTATE FLANGE SPACER BRACKET (M) INTO POSITION AND SECURE TO PERFORATED FLANGE WITH SCREWS PROVIDED. (FIG. 6)

**STEP 6:**

DRYWALL CONTRACTOR TO ATTACH DRYWALL TO PERIMETER FLANGE SERRATED SECTION (I) OF FIXTURE WITH SELF DRILLING DRYWALL SCREWS.

**STEP 7:**

REMOVE AND DISCARD FLANGE SPACER BRACKET. INSTALL PLASTER SHIELDS PROVIDED AND INSTALL DRYWALL TAPE SUCH THAT IT COMPLETELY COVERS PERIMETER FLANGE PERFORATED SECTION (H) OF FIXTURE AND EXTENDS ONTO ADJOINING DRYWALL.

**CAUTION:** DO NOT ALLOW TAPE TO ENCRONCH ON PLASTER FLOAT GUIDE (G) OF FIXTURE FLANGE. FLOAT AND FINISH CEILING AS REQUIRED, USING SHIELD PROVIDED TO KEEP FLOATING COMPOUND OUT OF LIGHTED OPENING.

**STEP 8:**

INSTALL BAFFLE. ENERGIZE FIXTURE AND CHECK FOR PROPER OPERATION.

**LEGEND:**

- A- BAFFLE
- B- REFLECTOR
- C- SUPPORT BRACKET
- D- FLEXIBLE CONDUIT (BY OTHERS)
- E- POWER ACCESS PLATE
- F- THREADED ROD (BY OTHERS)
- G- FLOAT GUIDE
- H- PERFORATED FLANGE
- I- SERRATED FLANGE
- J- JAM NUT
- M- FLANGE SPACER BRACKET

