

QR2 LED - OFYK, OFTR, OFAC SAFETY AND INSTALLATION INSTRUCTIONS

CONTINUOUS ROW INSTALLATION

NOTE: A FACTORY SHOP DRAWING IS PROVIDED FOR ALL CONTINUOUS ROW INSTALLATIONS. IF YOU ARE NOT IN POSSESSION OF A DRAWING, CONTACT YOUR LOCAL P.A.L. REPRESENTATIVE OR THE FACTORY TO OBTAIN ONE.

STEP 1:

CEILING CONTRACTOR TO PROVIDE AN UNINTERRUPTED ROUGH OPENING AS DESCRIBED IN STEP 1 OF PAGES 1, 2 OR 3, DEPENDING UPON MOUNTING METHOD UTILIZED.

STEP 2:

INSTALL FIRST FIXTURE (END OF ROW) REPEATING STEPS 2 THROUGH 6 OF PAGE 1 FOR SNAP-IN YOKE MOUNTING, STEPS 2 THROUGH 6 OF PAGE 2 FOR THREADED ROD MOUNTING OR STEPS 2 THROUGH 7 OF PAGE 3 FOR ADJUSTABLE CABLE MOUNTING.

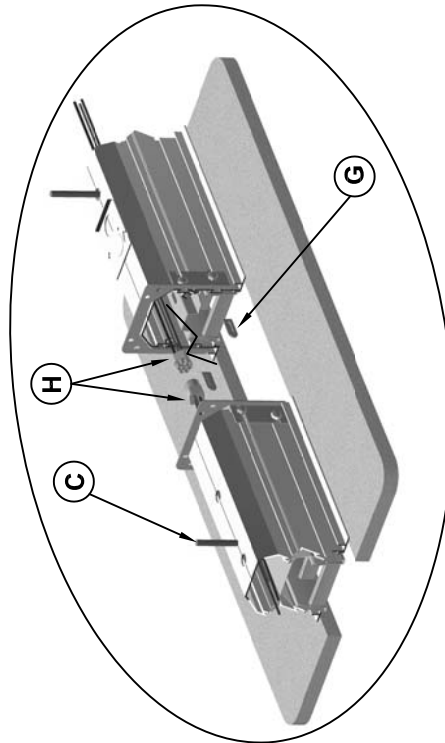
STEP 3:

MOUNT NEXT FIXTURE IN A SIMILAR FASHION AS FIRST FIXTURE AND POSITION IT SUCH THAT THE ALIGNMENT TABS (G) FIT INTO THE FIRST FIXTURE. MAKE CONNECTION OF THE WIRE HARNESS (H) AND PUSH EXCESS WIRE BACK INTO FIXTURE. MAKE SURE THAT WIRE IS NOT PINCHED BETWEEN JOINT AND SLIDE FIXTURES TOGETHER. JOIN FIXTURES TOGETHER BY TIGHTENING NUTS ON STUDS, PROJECTING FROM JOINT ACCESS PLATES. (FIG. 9)

STEP 4:

REPEAT STEP (3) AS REQUIRED TO COMPLETE ROW AS INDICATED ON FACTORY SHOP DRAWING.

FIG. 7



NOTE: BEFORE INSTALLING LAST FIXTURE (LEFT HAND END OF ROW) IN RUN, TEMPORARILY SUPPORT FIXTURE AND REMOVE ACCESS PLATE (E) AND PULL FIXTURE LEADS OUT THROUGH OPENING. REMOVE KNOCK-OUT FROM ACCESS PLATE AND INSTALL FLEXIBLE CONDUIT FEED (D) TO ACCESS PLATE. ATTACH GROUND WIRE TO STUD ON INSIDE OF ACCESS PLATE AND MAKE OTHER WIRE CONNECTIONS MAINTAINING COLOR CODING OF WIRES. PUSH EXCESS WIRE INTO FIXTURE HOUSING AND SECURE ACCESS PLATE TO HOUSING ENSURING THAT WIRES ARE NOT PINCHED BETWEEN FIXTURE AND ACCESS PLATE. (REF. FIG. 8)

STEP 5:

INSTALL REFLECTORS AND BAFFLES. ENERGIZE CIRCUIT AND CHECK FOR PROPER OPERATION OF RUN.

LAST (END OF ROW) FIXTURE

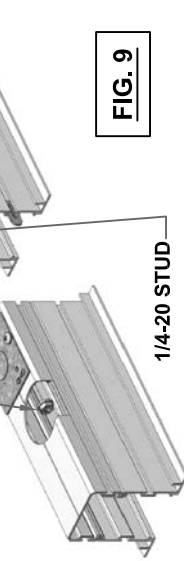


FIG. 9

LEGEND:

- A- BAFFLE
- B- REFLECTOR
- C- THREADED ROD OR CABLE ASSEMBLY OR MOUNTING YOKE
- D- FLEXIBLE CONDUIT (BY OTHERS)
- E- POWER ACCESS PLATE
- F- PAL-NUT OR KNURLED NUT
- G- ALIGNMENT TABS
- H- WIRE HARNESS

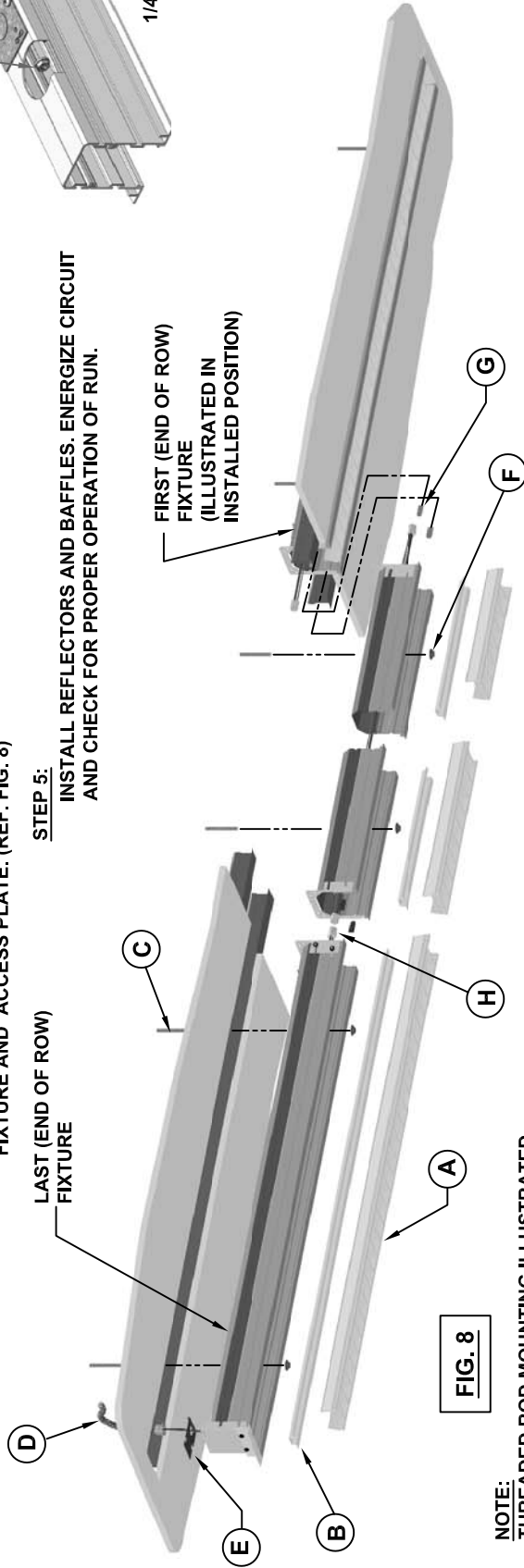
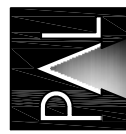


FIG. 8

NOTE: THREADED ROD MOUNTING ILLUSTRATED



PAL RESERVES THE RIGHT TO CHANGE PRODUCT DESIGN AND SPECIFICATIONS. CONTACT FACTORY FOR MOST RECENT PRODUCT INFORMATION.

Precision Architectural Lighting 4830 Timber Creek Drive Houston, Texas 77017
Tel (713) 946-4343 Fax (713) 946-4441 www.pal-lighting.com

3750213-4 01/2021

QR2 LED- OVERLAP FLANGE SNAP-IN YOKE - SAFETY & INSTALLATION INSTRUCTIONS

CAUTION:

- * BE CERTAIN THAT POWER TO FIELD WIRING HAS BEEN TURNED OFF PRIOR TO INSTALLATION.
- * CONNECTIONS TO FIELD WIRES AND GROUNDING OF FIXTURES MUST BE DONE IN ACCORDANCE WITH APPLICABLE LOCAL & NATIONAL CODES. INSTALLATION MUST BE PERFORMED BY QUALIFIED PERSONNEL.
- * IT IS INSTALLERS RESPONSIBILITY TO ENSURE THAT WALL, CEILING OR JUNCTION BOX IS STRUCTURALLY CAPABLE OF SUPPORTING WEIGHT OF FIXTURE .
- * BE CERTAIN THAT SUPPLY VOLTAGE IS THE SAME AS THAT MARKED ON DRIVERS.

CE PRODUIT DOIT ÊTRE INSTALLÉ SELON LE CODE D'INSTALLATION PERTINENT, PAR UNE PERSONNE QUI CONNAÎT BIEN LE PRODUIT ET SON FONCTIONNEMENT AINSI QUE LES RISQUES INHÉRENTS.

"SNAP-IN YOKE MOUNTING"

INDIVIDUAL FIXTURE INSTALLATION

STEP 1:

CEILING CONTRACTOR MUST PROVIDE A ROUGH CEILING OPENING WIDTH AS INDICATED BELOW IN FIG. 1 WITH 1-1/2" WIDE DRYWALL TEE MOUNTED ON CENTERS ALSO AS INDICATED BELOW IN FIG.1 ALONG EACH SIDE OF OPENING (REF. FIG. 1). LENGTH OF OPENING SHOULD BE AS INDICATED ON FACTORY SHOP DRAWING. IF YOU ARE NOT IN POSSESSION OF A SHOP DRAWING, CONTACT YOUR LOCAL REPRESENTATIVE OR THE FACTORY TO OBTAIN ONE.

STEP 2:

LOCATE AND SECURE SNAP-IN YOKE (C) TO "TEE" SUPPORT ON THE CENTERS INDICATED ON FACTORY SHOP DRAWING. (REF. FIG. 1) THE YOKE CAN BE ADJUSTED ONCE INSTALLED BY REMOVING TENSION ON SPRING CLIP AND SLIDING TO PROPER POSITION.

STEP 3:

REMOVE BAFFLE (A), REFLECTOR (B) AND POWER ACCESS PLATE (E) FROM FIXTURE. PULL FIXTURE LEADS OUT OF ACCESS PLATE OPENING.

STEP 4:

REMOVE KNOCK-OUT FROM ACCESS PLATE AND INSTALL FLEXIBLE CONDUIT FEED (D) TO ACCESS PLATE. ATTACH GROUND WIRE TO STUD ON INSIDE OF ACCESS PLATE.

STEP 5:

RAISE FIXTURE AND TEMPORARILY SUPPORT IT JUST BELOW THE ROUGH OPENING. MAKE WIRE CONNECTIONS OBSERVING COLOR CODING OF WIRES. PUSH EXCESS WIRE INTO FIXTURE HOUSING AND SECURE ACCESS PLATE TO HOUSING, INSURING THAT WIRES ARE NOT PINCHED BETWEEN FIXTURE AND ACCESS PLATE. (REF. FIG.2)

STEP 6:

CONTINUE TO RAISE FIXTURE INTO ROUGH OPENING SUCH THAT THREADED STUD (F) OF YOKE PROTRUDES THROUGH MOUNTING HOLES. THREAD PAL-NUT (G-PROVIDED BY PAL) ONTO THREADED STUD. MAKE CERTAIN FIXTURE IS CENTERED IN ROUGH OPENING AND TIGHTEN PAL-NUT SECURELY. FIXTURE FLANGE SHOULD BE SNUG AGAINST FINISHED SIDE OF CEILING.

STEP 7:

INSTALL REFLECTOR AND BAFFLE. ENERGIZE CIRCUIT AND CHECK FOR PROPER OPERATION OF FIXTURE.

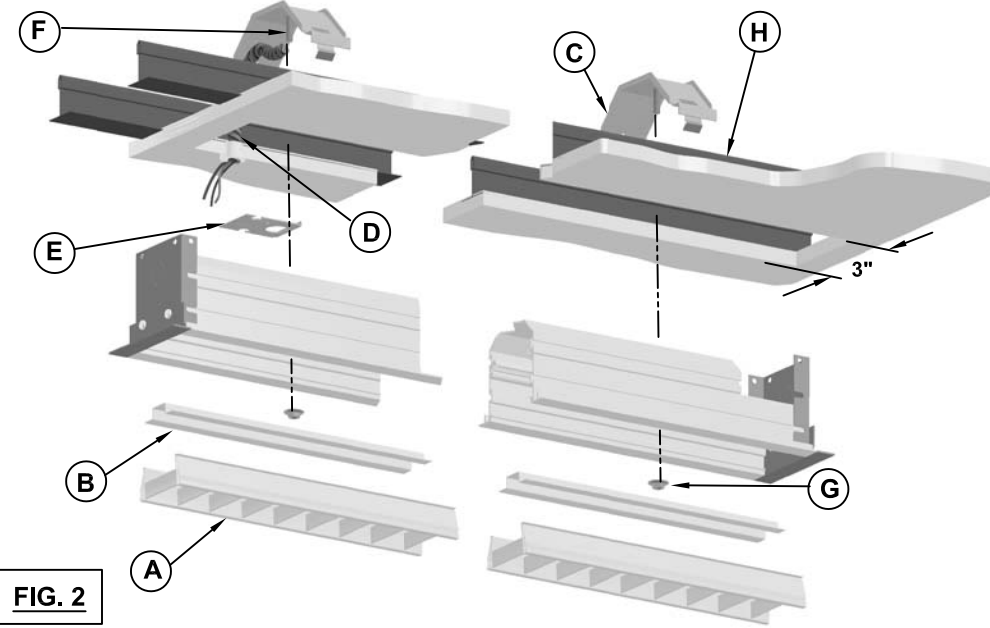


FIG. 2

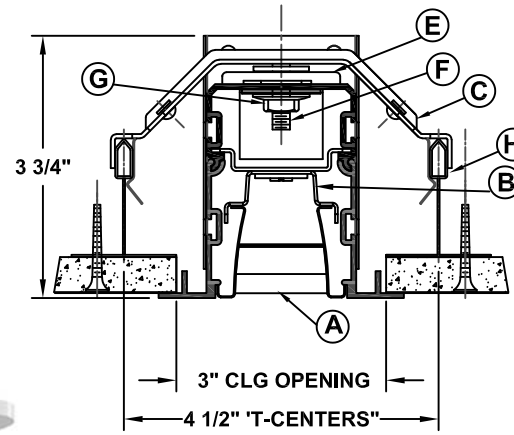


FIG. 1

LEGEND:

- A- BAFFLE
- B- REFLECTOR
- C- SNAP-IN YOKE
- D- FLEXIBLE CONDUIT (BY OTHERS)
- E- POWER ACCESS PLATE
- F- THREADED STUD
- G- PAL-NUT
- H- DRYWALL "TEE"



Precision Architectural Lighting 4830 Timber Creek Drive Houston, Texas 77017
Tel (713) 946-4343 Fax (713) 946-4441 www.pal-lighting.com

PAL RESERVES THE RIGHT TO CHANGE PRODUCT DESIGN AND SPECIFICATIONS. CONTACT FACTORY FOR MOST RECENT PRODUCT INFORMATION.

3750213-1 01/2021

QR2 LED - OVERLAP FLANGE THREADED ROD - SAFETY & INSTALLATION INSTRUCTIONS

CAUTION:

- * BE CERTAIN THAT POWER TO FIELD WIRING HAS BEEN TURNED OFF PRIOR TO INSTALLATION.
- * CONNECTIONS TO FIELD WIRES AND GROUNDING OF FIXTURES MUST BE DONE IN ACCORDANCE WITH APPLICABLE LOCAL & NATIONAL CODES. INSTALLATION MUST BE PERFORMED BY QUALIFIED PERSONNEL.
- * IT IS INSTALLERS RESPONSIBILITY TO ENSURE THAT WALL, CEILING OR JUNCTION BOX IS STRUCTURALLY CAPABLE OF SUPPORTING WEIGHT OF FIXTURE .
- * BE CERTAIN THAT SUPPLY VOLTAGE IS THE SAME AS THAT MARKED ON DRIVERS.

CE PRODUIT DOIT ÊTRE INSTALLÉ SELON LE CODE D'INSTALLATION PERTINENT, PAR UNE PERSONNE QUI CONNAÎT BIEN LE PRODUIT ET SON FONCTIONNEMENT AINSI QUE LES RISQUES INHÉRENTS.

"THREADED ROD MOUNTING"

INDIVIDUAL FIXTURE INSTALLATION

STEP 1:
CEILING CONTRACTOR MUST PROVIDE A CEILING OPENING WIDTH AS INDICATED IN FIG. 3 BY LENGTH AS INDICATED ON FACTORY SHOP DRAWING. (REF. FIG.3). IF YOU ARE NOT IN POSSESSION OF A SHOP DRAWING, CONTACT YOUR LOCAL REPRESENTATIVE OR THE FACTORY TO OBTAIN ONE.

STEP 2:
SECURE THREADED ROD (C-BY OTHERS) TO STRUCTURAL SUPPORT ABOVE IN MIDDLE OF ROUGH OPENING AND ON THE CENTERS INDICATED ON FACTORY SHOP DRAWING. LOWER END OF THREADED ROD SHOULD TERMINATE APPROXIMATELY 3" ABOVE FINISHED CEILING LINE. (REF. FIG. 3)

STEP 3:
REMOVE BAFFLE (A) AND REFLECTOR (B) AND POWER ACCESS PLATE (E) FROM FIXTURE. PULL FIXTURE LEADS OUT OF ACCESS PLATE OPENING.

STEP 4:
REMOVE KNOCK-OUT FROM ACCESS PLATE AND INSTALL FLEXIBLE CONDUIT FEED (D) TO ACCESS PLATE. ATTACH GROUND WIRE TO STUD ON INSIDE OF ACCESS PLATE.

STEP 5:
RAISE FIXTURE AND TEMPORARILY SUPPORT IT JUST BELOW THE ROUGH OPENING. MAKE WIRE CONNECTIONS OBSERVING COLOR CODING OF WIRES. PUSH EXCESS WIRE INTO FIXTURE HOUSING AND SECURE ACCESS PLATE TO HOUSING, ENSURING THAT WIRES ARE NOT PINCHED BETWEEN FIXTURE AND ACCESS PLATE. (REF. FIG. 4)

STEP 6:
CONTINUE TO RAISE FIXTURE INTO ROUGH OPENING SUCH THAT THREADED ROD PROTRUDES THROUGH MOUNTING HOLES. THREAD PAL-NUT (F-PROVIDED BY PAL) ONTO THREADED ROD. MAKE CERTAIN FIXTURE IS CENTERED IN ROUGH OPENING AND TIGHTEN PAL-NUT SECURELY. FIXTURE FLANGE SHOULD BE SNUG AGAINST FINISHED SIDE OF CEILING.

STEP 7:
INSTALL REFLECTOR AND BAFFLE. ENERGIZE CIRCUIT AND CHECK FOR PROPER OPERATION OF FIXTURE.

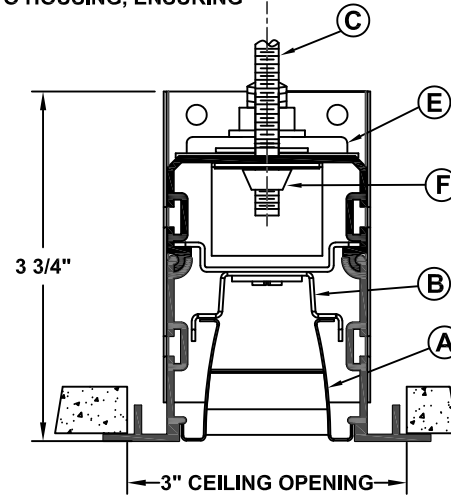
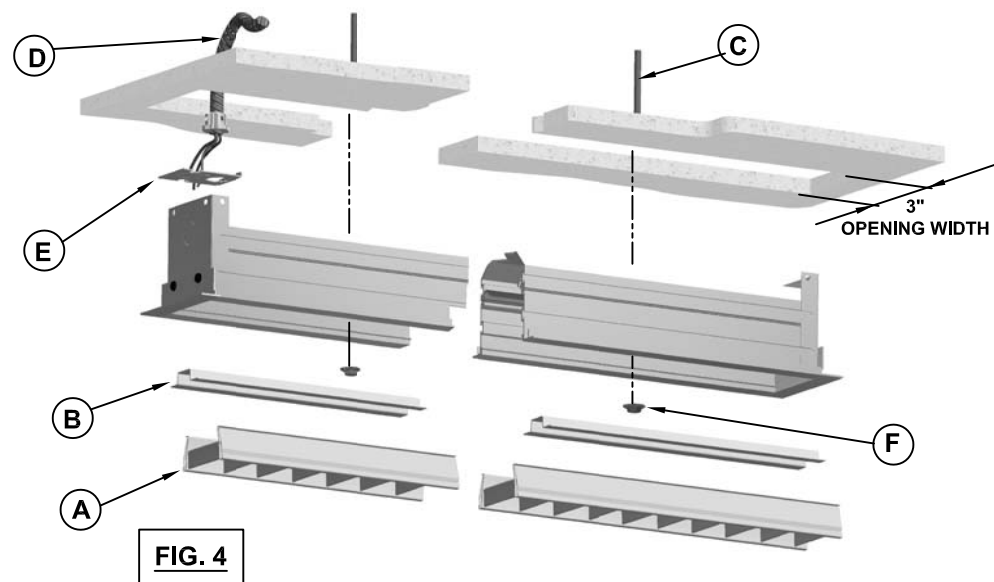


FIG. 3

LEGEND:

- A- BAFFLE
- B- REFLECTOR
- C- THREADED ROD
- D- FLEXIBLE CONDUIT (BY OTHERS)
- E- POWER ACCESS PLATE
- F- PAL-NUT

QR2 LED - OVERLAP FLANGE ADJUSTABLE CABLE - SAFETY & INSTALLATION INSTRUCTIONS

CAUTION:

- * BE CERTAIN THAT POWER TO FIELD WIRING HAS BEEN TURNED OFF PRIOR TO INSTALLATION.
- * CONNECTIONS TO FIELD WIRES AND GROUNDING OF FIXTURES MUST BE DONE IN ACCORDANCE WITH APPLICABLE LOCAL & NATIONAL CODES. INSTALLATION MUST BE PERFORMED BY QUALIFIED PERSONNEL.
- * IT IS INSTALLERS RESPONSIBILITY TO ENSURE THAT WALL, CEILING OR JUNCTION BOX IS STRUCTURALLY CAPABLE OF SUPPORTING WEIGHT OF FIXTURE .
- * BE CERTAIN THAT SUPPLY VOLTAGE IS THE SAME AS THAT MARKED ON DRIVERS.

CE PRODUIT DOIT ÊTRE INSTALLÉ SELON LE CODE D'INSTALLATION PERTINENT, PAR UNE PERSONNE QUI CONNAÎT BIEN LE PRODUIT ET SON FONCTIONNEMENT AINSI QUE LES RISQUES INHÉRENTS.

"ADJUSTABLE CABLE MOUNTING"

INDIVIDUAL FIXTURE INSTALLATION

STEP 1:
CEILING CONTRACTOR MUST PROVIDE A CEILING OPENING WIDTH AS INDICATED IN FIG. 5 BY LENGTH AS INDICATED ON FACTORY SHOP DRAWING. IF YOU ARE NOT IN POSSESSION OF A SHOP DRAWING, CONTACT YOUR LOCAL REPRESENTATIVE OR THE FACTORY TO OBTAIN ONE. (REF. FIG. 5)

STEP 2:
SECURE CABLE (C-BY PAL) TO STRUCTURAL SUPPORT ABOVE IN MIDDLE OF ROUGH OPENING AND ON CENTERS INDICATED ON FACTORY SHOP DRAWING. DO NOT CUT CABLE AT THIS TIME, ALLOW IT TO PROTRUDE THROUGH CEILING OPENING.

STEP 3:
REMOVE BAFFLE (A) AND REFLECTOR (B) AND POWER ACCESS PLATE (E) FROM FIXTURE. PULL FIXTURE LEADS OUT OF ACCESS PLATE OPENING.

STEP 4:
REMOVE KNOCK-OUT FROM ACCESS PLATE AND INSTALL FLEXIBLE CONDUIT FEED (D) TO ACCESS PLATE. ATTACH GROUND WIRE TO STUD ON INSIDE OF ACCESS PLATE.

STEP 5:
ATTACH CABLE GRIPPERS (F) THROUGH 9/16" DIAMETER MOUNTING HOLES IN FIXTURE HOUSING WITH NUT AND LOCK-WASHER PROVIDED AS ILLUSTRATED. TIGHTEN SECURELY.

STEP 6:
RAISE FIXTURE AND ROUTE CABLES THROUGH CENTER OF CABLE GRIPPER AS ILLUSTRATED. WHILE HOLDING LOWER END OF CABLE, RAISE FIXTURE TO WITHIN APPROXIMATELY 6" OF CEILING OPENING. FIXTURE WILL AUTOMATICALLY BE RETAINED AT LAST POINT OF ADJUSTMENT. MAKE WIRE CONNECTIONS OBSERVING COLOR CODING OF WIRES. PUSH EXCESS WIRE INTO FIXTURE HOUSING AND SECURE ACCESS PLATE TO HOUSING, INSURING THAT WIRES ARE NOT PINCHED BETWEEN FIXTURE AND ACCESS PLATE. (REF. FIG. 6)

STEP 7:
WHILE HOLDING LOWER END OF CABLE, RAISE FIXTURE SO THAT FLANGE IS SNUG AGAINST FINISHED CEILING. CUT EXCESS CABLE LEAVING APPROXIMATELY 6" ON THE INSIDE OF FIXTURE SO THAT IT MAY BE LOWERED IF NECESSARY. FIXTURE MAY BE LOWERED BY PULLING DOWN ON THE KNURLED NUT (G) ON THE CABLE GRIPPER. **CAUTION: MAKE SURE TO SUPPORT FIXTURE IF RELEASING IT FROM THE CABLE SUSPENSION.**

STEP 8:
INSTALL REFLECTOR & BAFFLE. ENERGIZE CIRCUIT AND CHECK FOR PROPER OPERATION OF FIXTURE.

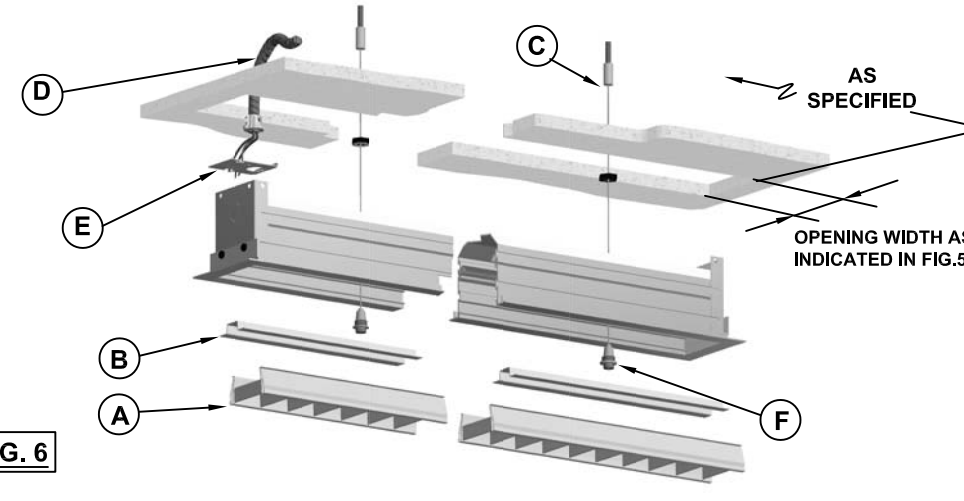


FIG. 6

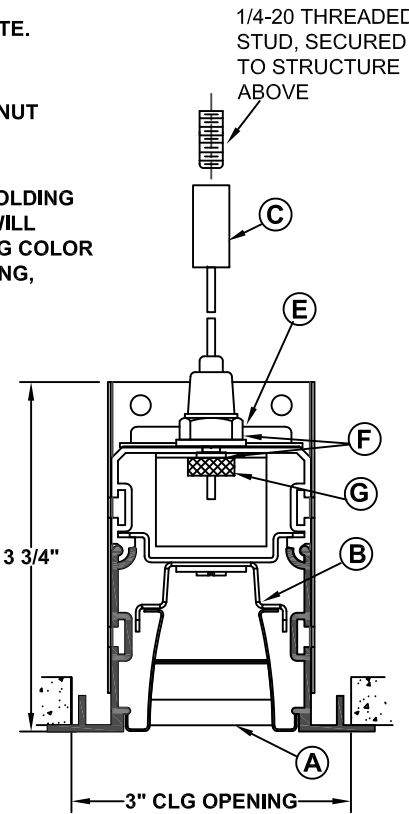


FIG. 5

LEGEND:

- A- BAFFLE
- B- REFLECTOR
- C- CABLE ASSEMBLY
- D- FLEXIBLE CONDUIT (BY OTHERS)
- E- POWER ACCESS PLATE
- F- CABLE GRIPPER
- G- KNURLED NUT (BY OTHERS)

