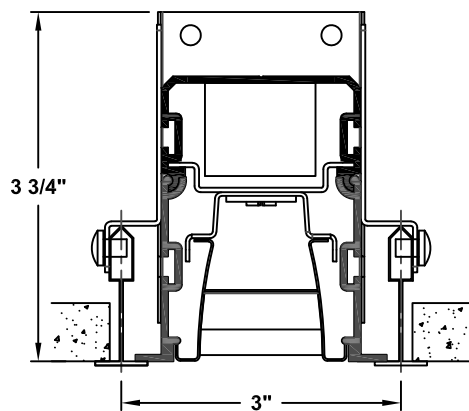


QR2 - GRID

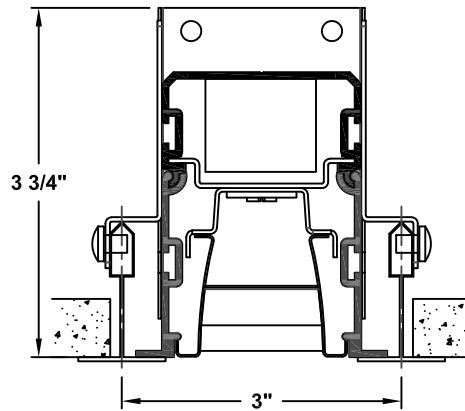
SAFETY AND INSTALLATION INSTRUCTIONS

CAUTION:

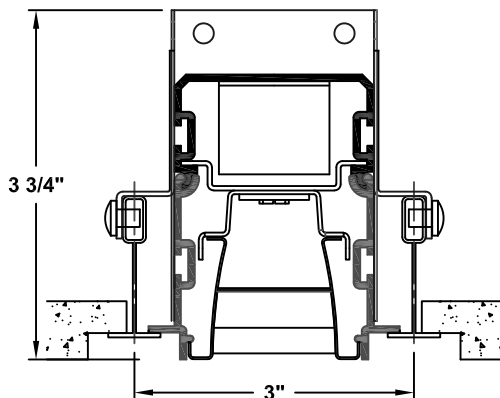
- * BE CERTAIN THAT POWER TO FIELD WIRING HAS BEEN TURNED OFF PRIOR TO INSTALLATION.
- * CONNECTIONS TO FIELD WIRES AND GROUNDING OF FIXTURES MUST BE DONE IN ACCORDANCE WITH APPLICABLE LOCAL & NATIONAL CODES. INSTALLATION MUST BE PERFORMED BY QUALIFIED PERSONNEL.
- * IT IS INSTALLERS RESPONSIBILITY TO ENSURE THAT WALL, CEILING OR JUNCTION BOX IS STRUCTURALLY CAPABLE OF SUPPORTING WEIGHT OF FIXTURE .
- * BE CERTAIN THAT SUPPLY VOLTAGE IS THE SAME AS THAT MARKED ON DRIVERS.



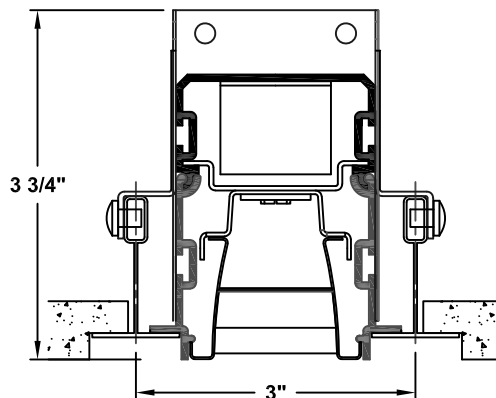
9/16" T-BAR WITH FLUSH TILE



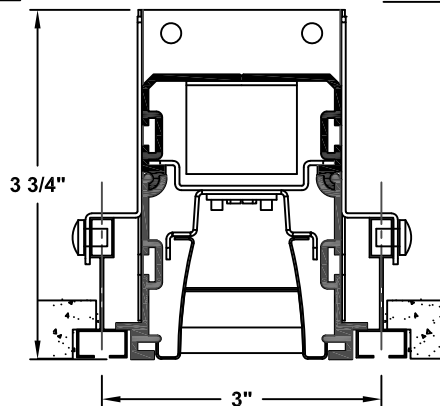
15/16" T-BAR WITH FLUSH TILE



9/16" T-BAR WITH TEGULAR TILE



15/16" T-BAR WITH TEGULAR TILE



SCREW SLOT GRID

REFERENCE BACK PAGE FOR INDIVIDUAL FIXTURE INSTALLATION
 REFERENCE CENTER PAGES FOR CONTINUOUS ROW INSTALLATION



QR2 - GRID

SAFETY AND INSTALLATION INSTRUCTIONS

CONTINUOUS ROW INSTALLATION

NOTE: A FACTORY SHOP DRAWING IS PROVIDED FOR ALL CONTINUOUS ROW INSTALLATIONS. IF YOU ARE NOT IN POSSESSION OF A DRAWING, CONTACT YOUR LOCAL P.A.L. REPRESENTATIVE OR THE FACTORY TO OBTAIN ONE.

STEP 1:

CEILING CONTRACTOR MUST PROVIDE AN UNINTERRUPTED OPENING UTILIZING MAIN TEE'S SPACED 3" CENTER TO CENTER, LENGTH AS REQUIRED. MAIN TEE'S SHOULD BE SUITABLY SECURED TO STRUCTURE ABOVE TO SUPPORT WEIGHT OF FIXTURE RUN. CONSULT FACTORY FOR FIXTURE WEIGHTS IF NECESSARY.

STEP 2:

ATTACH END TRIM (I) TO FIRST AND LAST (END OF ROW) FIXTURES AS SHOWN IN (FIG. 5). PLACE TRIM'S VERTICAL FLANGE BETWEEN INSIDE OF END PLATE AND EXTRUSION. SLIDE INTO PLACE AND USING THE (2) SCREWS SUPPLIED WITH ASSEMBLY ATTACH TRIM TO FIXTURE THROUGH HOLES IN ENDPLATE. INSTALL FIRST (END OF ROW) FIXTURE IN ROW OBSERVING MOUNTING INSTRUCTIONS FROM BACK PAGE. DO NOT MAKE FINAL ATTACHMENT OF SAFETY BRACKETS (C) TO GRID AT THIS POINT.

STEP 3:

POSITION THE NEXT FIXTURE SUCH THAT THE ALIGNMENT TABS (G) (REF. FIG. 4) FIT INTO THE FIRST FIXTURE. MAKE CONNECTION OF THE WIRE HARNESS AND PUSH EXCESS WIRE BACK INTO FIXTURE. MAKE SURE THAT WIRE IS NOT PINCHED BETWEEN JOINT AND SLIDE FIXTURES TOGETHER. INSTALL NUTS AND BOLTS (J) ONTO CROSS BRACES (F) AND TIGHTEN SECURELY PULLING THE TWO FIXTURES TIGHTLY TOGETHER. ADJUST SAFETY BRACKETS (C) INTO POSITION FOR ATTACHMENT TO "TEE" AT A LATER TIME.

STEP 4:

REPEAT STEP (3) AS REQUIRED TO COMPLETE ROW AS INDICATED ON FACTORY SHOP DRAWINGS SUPPLIED.

STEP 5:

CONFIRM ALIGNMENT AND FIXTURE SPLICE POINTS FOR PROPER FIT. ATTACH SAFETY BRACKETS (C) TO GRID (IF REQUIRED BY CODE).

STEP 6:

REMOVE ACCESS PLATE (E) AT DESIGNATED FEED LOCATION AND PULL FIXTURE LEADS OUT THROUGH OPENING. REMOVE KNOCK-OUT FROM ACCESS PLATE AND INSTALL CONDUIT FEED CONNECTOR (D) TO ACCESS PLATE. ATTACH GROUND WIRE TO INSIDE OF ACCESS PLATE AND MAKE OTHER WIRE CONNECTIONS MAINTAINING COLOR CODING OF WIRES. PUSH EXCESS WIRE INTO FIXTURE AND SECURE ACCESS PLATE TO HOUSING INSURING THAT WIRES ARE NOT PINCHED BETWEEN FIXTURE AND ACCESS PLATE. (REF. FIG.3)

STEP 7:

INSTALL BAFFLE. ENERGIZE CIRCUIT AND CHECK FOR PROPER OPERATION OF RUN.

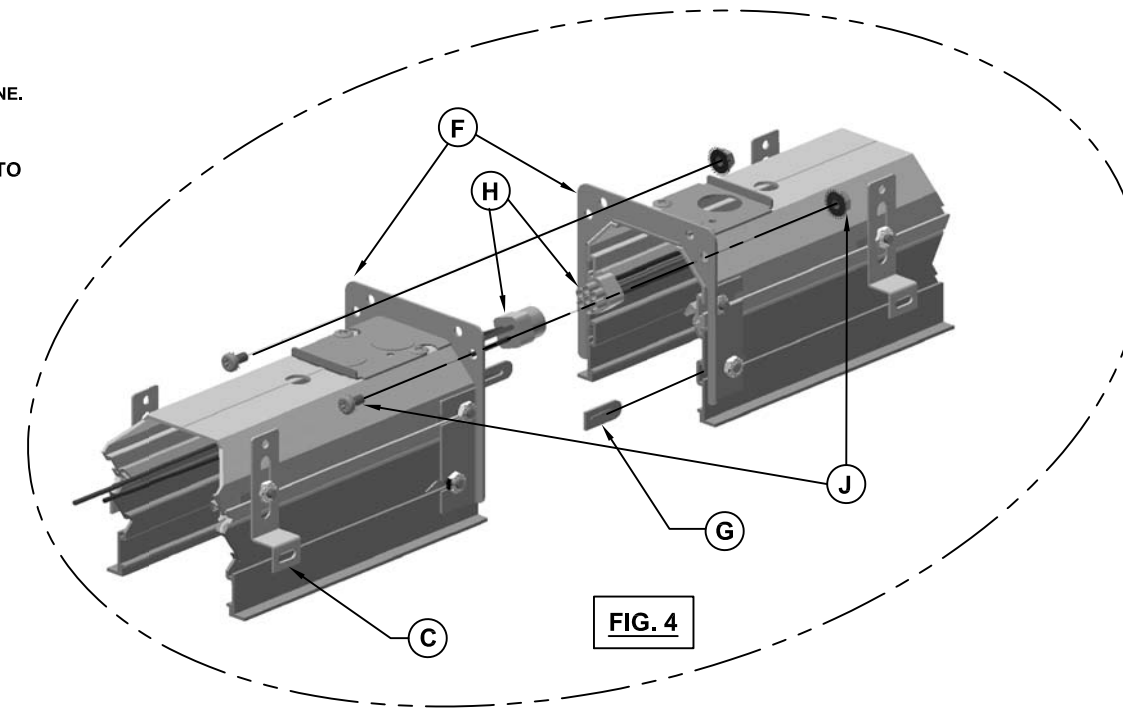


FIG. 4

LEGEND:

- A- BAFFLE
- B- T-BAR
- C- SAFETY BRACKETS
- D- BX CONNECTOR & CABLE (BY OTHERS)
- E- POWER ACCESS PLATE
- F- CROSS BRACE
- G- ALIGNMENT TABS
- H- WIRE HARNESS
- I- END TRIM
- J- NUT AND BOLT

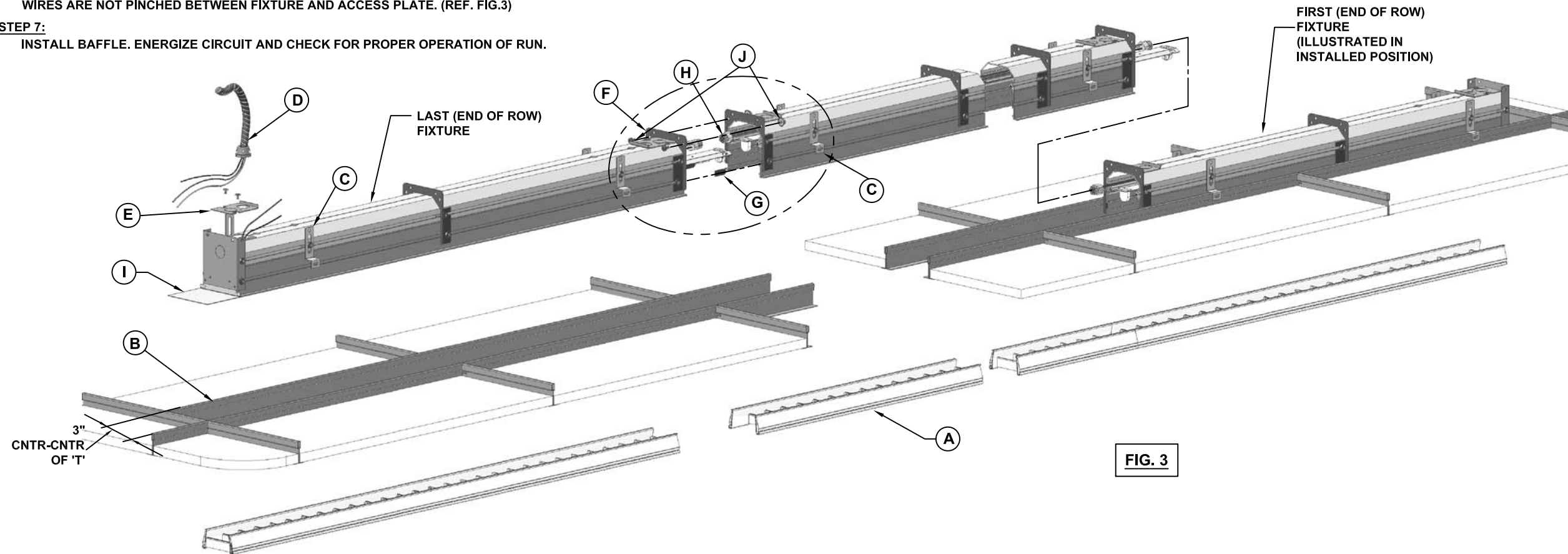


FIG. 3

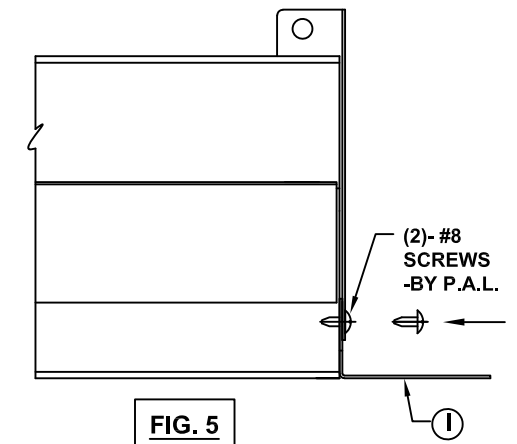


FIG. 5



QR2 - GRID

SAFETY AND INSTALLATION INSTRUCTIONS

INDIVIDUAL FIXTURE INSTALLATION

STEP 1:

MODIFY IF NECESSARY AND MOUNT A 2' OR 4' (AS REQUIRED) LENGTH OF T-BAR (B) ON CENTERS AS INDICATED BELOW FROM EXISTING T-BAR. (REF. FIG. 1)

STEP 2:

REMOVE BAFFLE (A) FROM FIXTURE. RAISE FIXTURE ABOVE CEILING AND LOWER INTO 4" WIDE GRID MODULE.

STEP 3:

LOOSEN LOCK NUTS AND ADJUST SAFETY BRACKETS (C) SO THAT THEY ARE APPROXIMATELY 2" FROM EACH END OF FIXTURE AND RESTING ON TOP OF T-BAR. TIGHTEN LOCK NUTS SECURELY. (REF FIG.1) NOTE THAT T-BAR SAFETY CLIPS MAY BE SCREWED TO T-BAR IF REQUIRED BY LOCAL CODE. (FASTENERS PROVIDED BY OTHERS)

STEP 4:

REMOVE ACCESS PLATE (E) AND PULL FIXTURE LEADS OUT THROUGH OPENING. REMOVE KNOCK-OUT FROM ACCESS PLATE AND INSTALL CONDUIT FEED CONNECTOR (D) TO ACCESS PLATE. ATTACH GROUND WIRE TO INSIDE OF ACCESS PLATE AND MAKE OTHER WIRE CONNECTIONS MAINTAINING COLOR CODING OF WIRES. PUSH EXCESS WIRE INTO FIXTURE HOUSING AND SECURE ACCESS PLATE TO HOUSING INSURING THAT WIRES ARE NOT PINCHED BETWEEN FIXTURE AND ACCESS PLATE. (REF. FIG.2)

STEP 5:

INSTALL BAFFLE. ENERGIZE CIRCUIT AND CHECK FOR PROPER OPERATION OF FIXTURE.

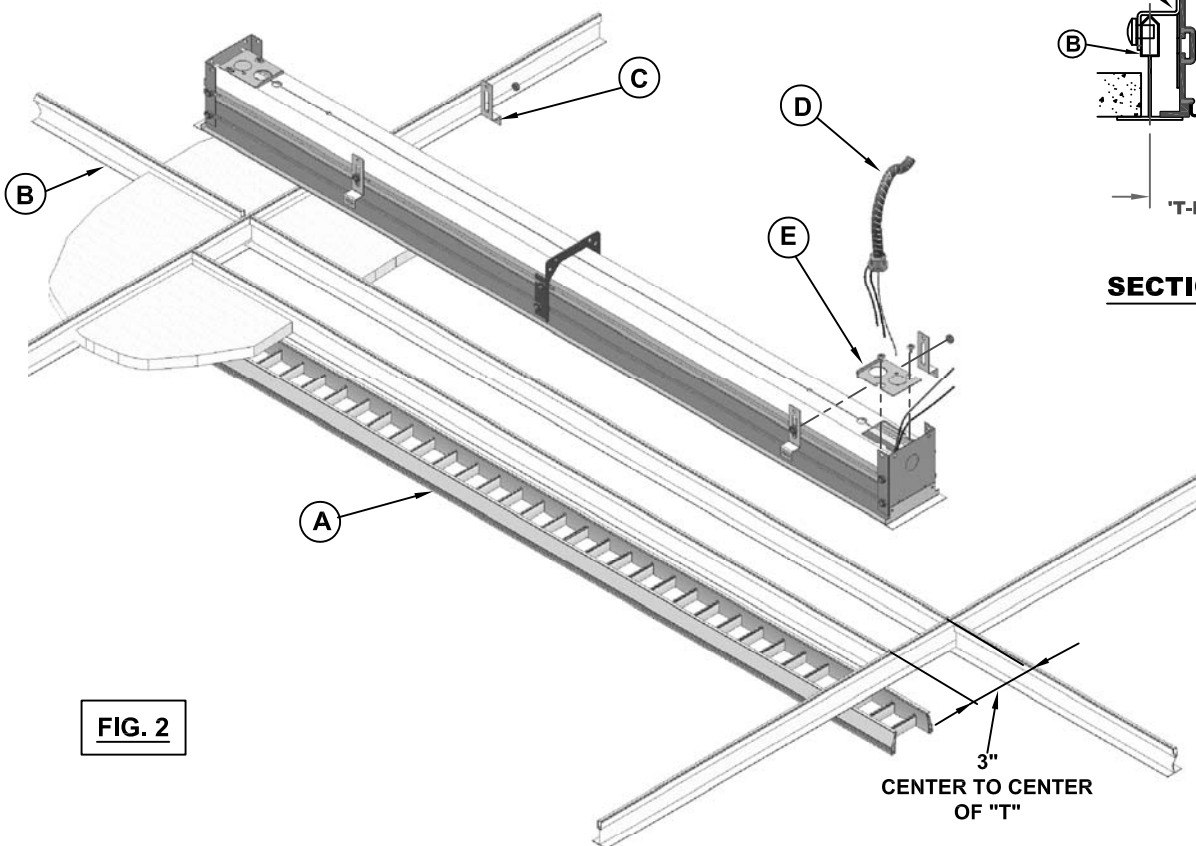


FIG. 2

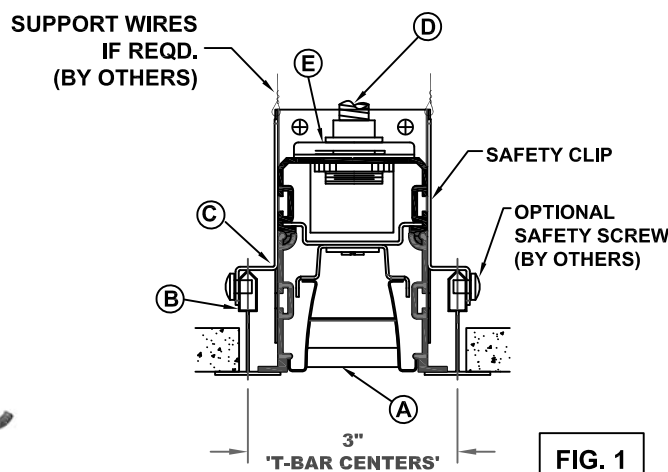


FIG. 1

SECTION VIEW -- NO SCALE

LEGEND:

- A- BAFFLE
- B- T-BAR
- C- SAFETY BRACKETS
- D- BX CONNECTOR & CABLE (BY OTHERS)
- E- POWER ACCESS PLATE

