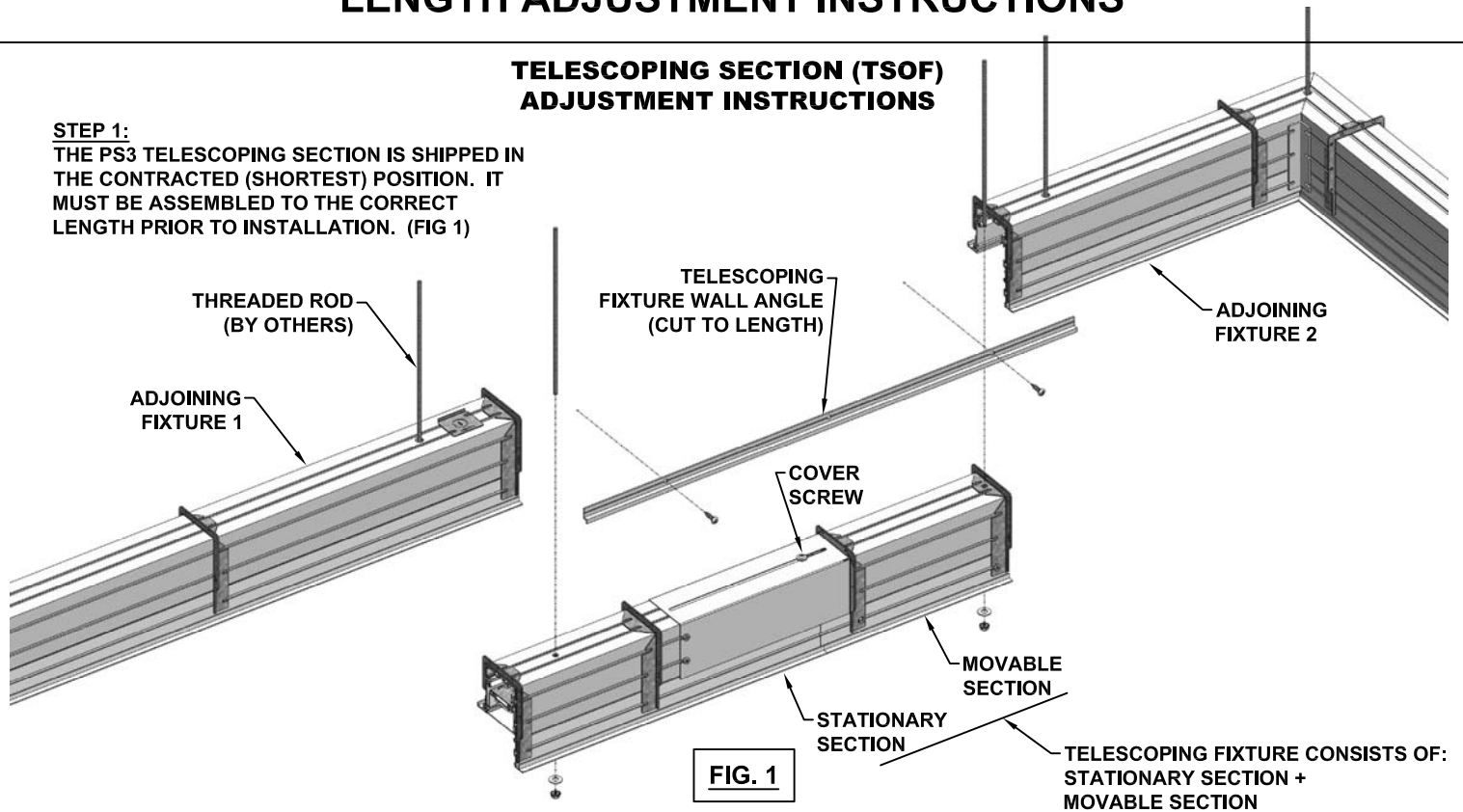


# PERIMETER SLOT SERIES 3 OVERLAP FLANGE TELESCOPING SECTION LENGTH ADJUSTMENT INSTRUCTIONS

## TELESCOPING SECTION (TSOF) ADJUSTMENT INSTRUCTIONS

**STEP 1:**  
THE PS3 TELESCOPING SECTION IS SHIPPED IN THE CONTRACTED (SHORTEST) POSITION. IT MUST BE ASSEMBLED TO THE CORRECT LENGTH PRIOR TO INSTALLATION. (FIG 1)

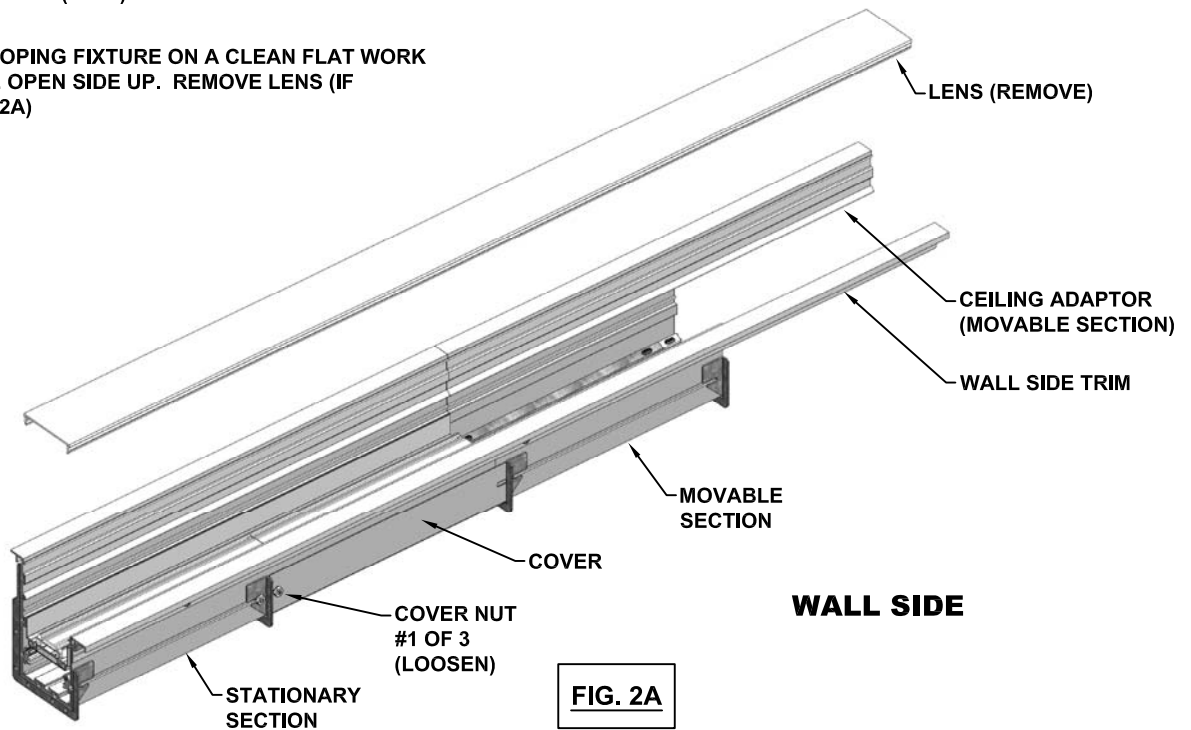


**STEP 2:**  
MEASURE ACTUAL OPENING TELESCOPING FIXTURE IS TO FIT INTO AS INDICATED ON SHOP DRAWING.

**STEP 3:**  
CUT WALL ANGLE TO LENGTH AND INSTALL IN ACCORDANCE WITH STANDARD FIXTURE INSTRUCTIONS.

**STEP 4:**  
LOOSEN COVER SCREW. (FIG 1)

**STEP 5:**  
PLACE THE TELESCOPING FIXTURE ON A CLEAN FLAT WORK SURFACE WITH THE OPEN SIDE UP. REMOVE LENS (IF APPLICABLE). (FIG 2A)



# PERIMETER SLOT SERIES 3 OVERLAP FLANGE TELESCOPING SECTION LENGTH ADJUSTMENT INSTRUCTIONS

## TELESCOPING SECTION (TSOF) ADJUSTMENT INSTRUCTIONS CONT'D

NOTE: MAKE CERTAIN THERE ARE NO WIRES PINCHED BETWEEN FIXTURES AT JOINTS.

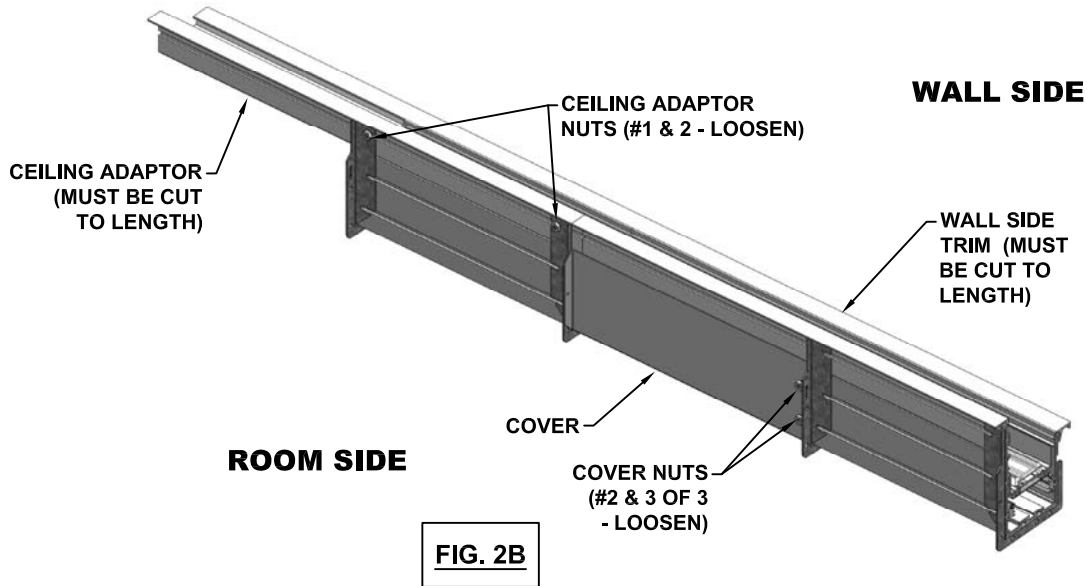


FIG. 2B

**STEP 6:**  
LOOSEN 3 NUTS ON THE COVER TO ALLOW FIXTURE EXTENSION. LOOSEN 2 NUTS ON MOVABLE SECTION CEILING ADAPTOR. (FIG 2A & 2B)

**STEP 7:**  
EXTEND MOVEABLE SECTION OF FIXTURE TO ACHIEVE PROPER DESIRED LENGTH. TAKE CARE NOT TO OVER-EXTEND. MAKE SURE BOTH SECTIONS ARE INLINE, STRAIGHT & SQUARE.

**STEP 8:**  
TIGHTEN 3 NUTS AND 1 SCREW ON COVER.

**STEP 9:**  
SLIDE CEILING ADAPTOR OFF OF MOVABLE SECTION AND CUT TO APPROPRIATE LENGTH. RE-INSTALL SUCH THAT IT IS BUTTED AGAINST CEILING ADAPTOR ON STATIONARY SECTION. MAKE SURE SPLICE TAB SPANS JOINT TO INSURE ALIGNMENT OF CEILING ADAPTORS. (FIG 3)

**STEP 10:**  
UNBOLT WALL SIDE TRIM, CUT TO LENGTH & RE-INSTALL.

**STEP 11:**  
INSTALL TELESCOPING UNIT IN ACCORDANCE WITH STANDARD FIXTURE INSTRUCTIONS.

**STEP 12:**  
CUT LENS (IF APPLICABLE) TO LENGTH AND INSTALL.

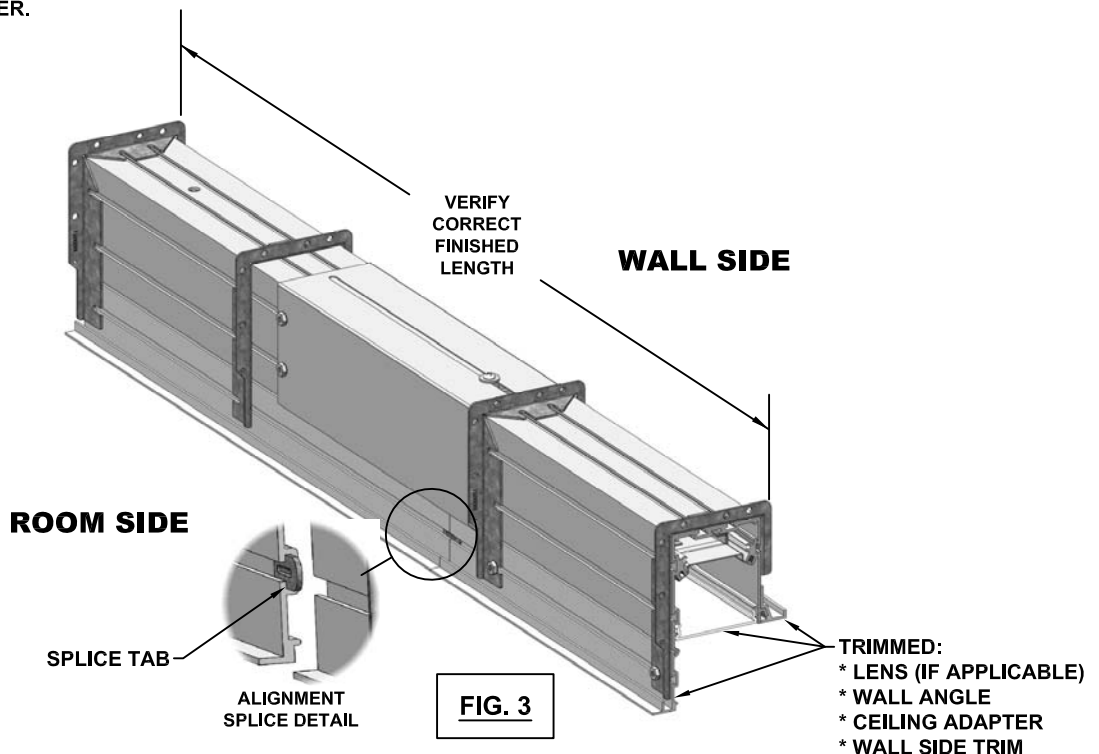


FIG. 3

