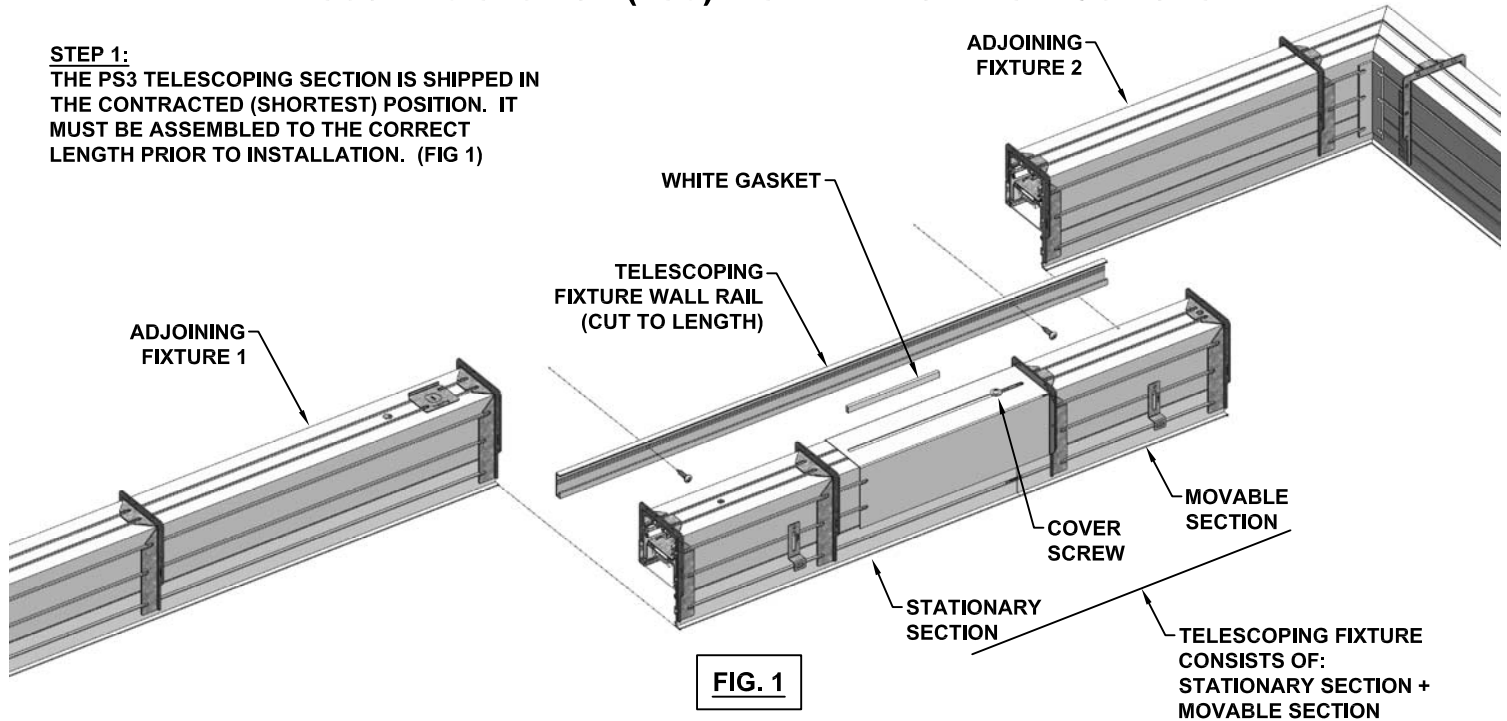


PERIMETER SLOT SERIES 3 GRID & SPACKLED FLANGE TELESCOPING SECTION - LENGTH ADJUSTMENT INSTRUCTIONS

TELESCOPING SECTION (TSG) INSTALLATION INSTRUCTIONS

STEP 1:
THE PS3 TELESCOPING SECTION IS SHIPPED IN THE CONTRACTED (SHORTEST) POSITION. IT MUST BE ASSEMBLED TO THE CORRECT LENGTH PRIOR TO INSTALLATION. (FIG 1)



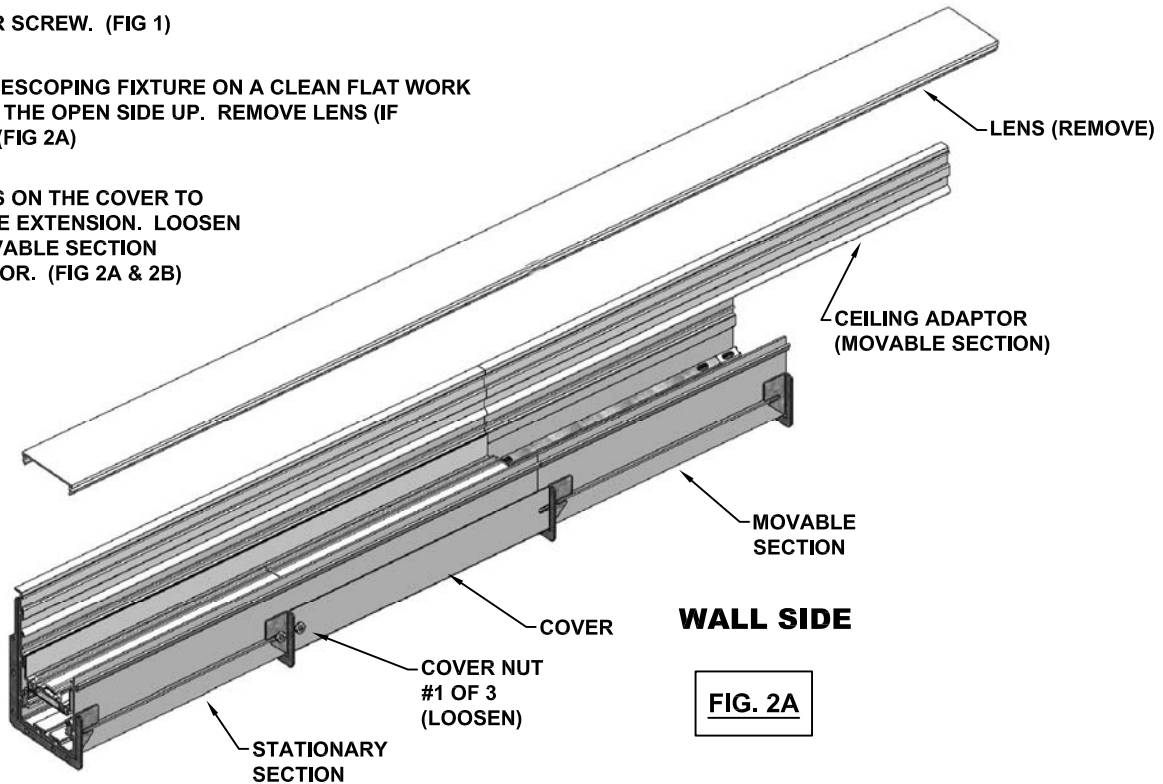
STEP 2:
MEASURE ACTUAL OPENING TELESCOPING FIXTURE IS TO FIT INTO AS INDICATED ON SHOP DRAWING.

STEP 3:
CUT WALL RAIL TO LENGTH AND INSTALL IN ACCORDANCE WITH STANDARD FIXTURE INSTRUCTIONS.

STEP 4:
LOOSEN COVER SCREW. (FIG 1)

STEP 5:
PLACE THE TELESCOPING FIXTURE ON A CLEAN FLAT WORK SURFACE WITH THE OPEN SIDE UP. REMOVE LENS (IF APPLICABLE). (FIG 2A)

STEP 6:
LOOSEN 3 NUTS ON THE COVER TO ALLOW FIXTURE EXTENSION. LOOSEN 2 NUTS ON MOVABLE SECTION CEILING ADAPTOR. (FIG 2A & 2B)



PERIMETER SLOT SERIES 3 GRID & SPACKLED FLANGE TELESCOPING SECTION - LENGTH ADJUSTMENT INSTRUCTIONS

TELESCOPING SECTION (TSG) INSTALLATION INSTRUCTIONS CONT'D

NOTE: MAKE CERTAIN THERE ARE NO WIRES PINCHED BETWEEN FIXTURES AT JOINTS.

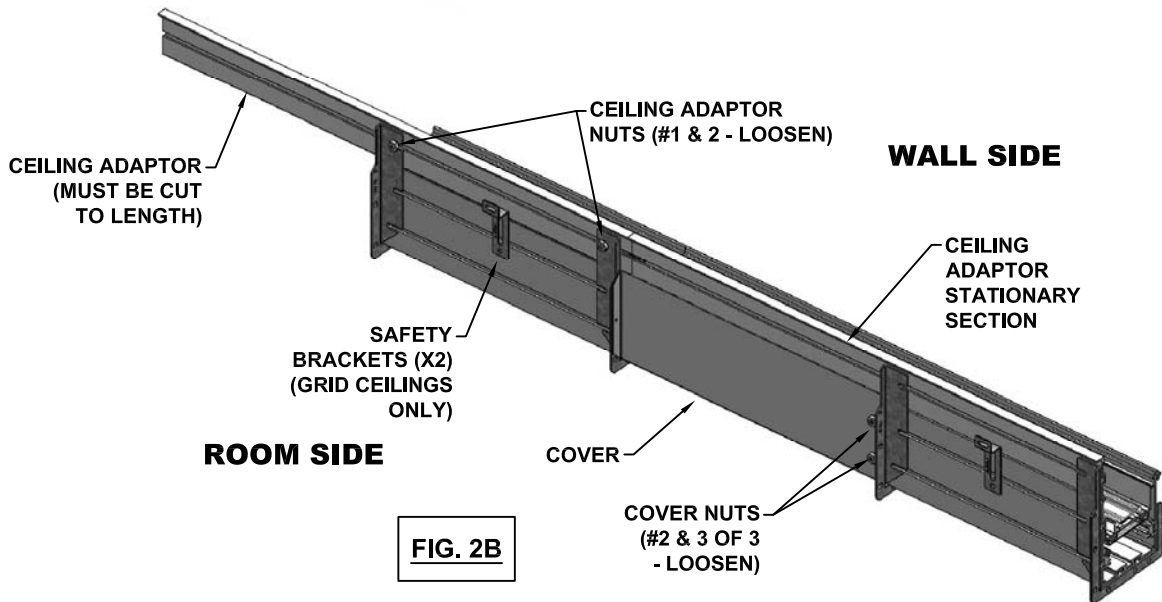


FIG. 2B

STEP 7:
EXTEND MOVEABLE SECTION OF FIXTURE TO ACHIEVE PROPER DESIRED LENGTH. TAKE CARE NOT TO OVER-EXTEND. MAKE SURE BOTH SECTIONS ARE INLINE, STRAIGHT & SQUARE.

STEP 8:
TIGHTEN 3 NUTS AND 1 SCREW ON COVER.

STEP 9:
SLIDE CEILING ADAPTOR OFF OF MOVABLE SECTION AND CUT TO APPROPRIATE LENGTH. RE-INSTALL SUCH THAT IT IS BUTTED AGAINST CEILING ADAPTOR ON STATIONARY SECTION. MAKE SURE SPLICE TAB SPANS JOINT TO INSURE ALIGNMENT OF CEILING ADAPTORS. (FIG 3)

STEP 10:
AFTER TELESCOPING UNIT IS ASSEMBLED TO CORRECT LENGTH, MEASURE GAP ON WALL SIDE WIREWAY BETWEEN STATIONARY AND TELESCOPING SECTION.

STEP 11:
CUT WHITE GASKET PROVIDED TO GAP DIMENSION & ADHERE TO INSTALLED WALL RAIL AT APPROPRIATE LOCATION. (FIG 3)

STEP 12:
INSTALL TELESCOPING UNIT IN ACCORDANCE WITH STANDARD FIXTURE INSTRUCTIONS.

STEP 13:
CUT LENS (IF APPLICABLE) TO LENGTH AND INSTALL. START LENS ON WALL SIDE AND WORK IT INTO PLACE OVER WHITE GASKET.

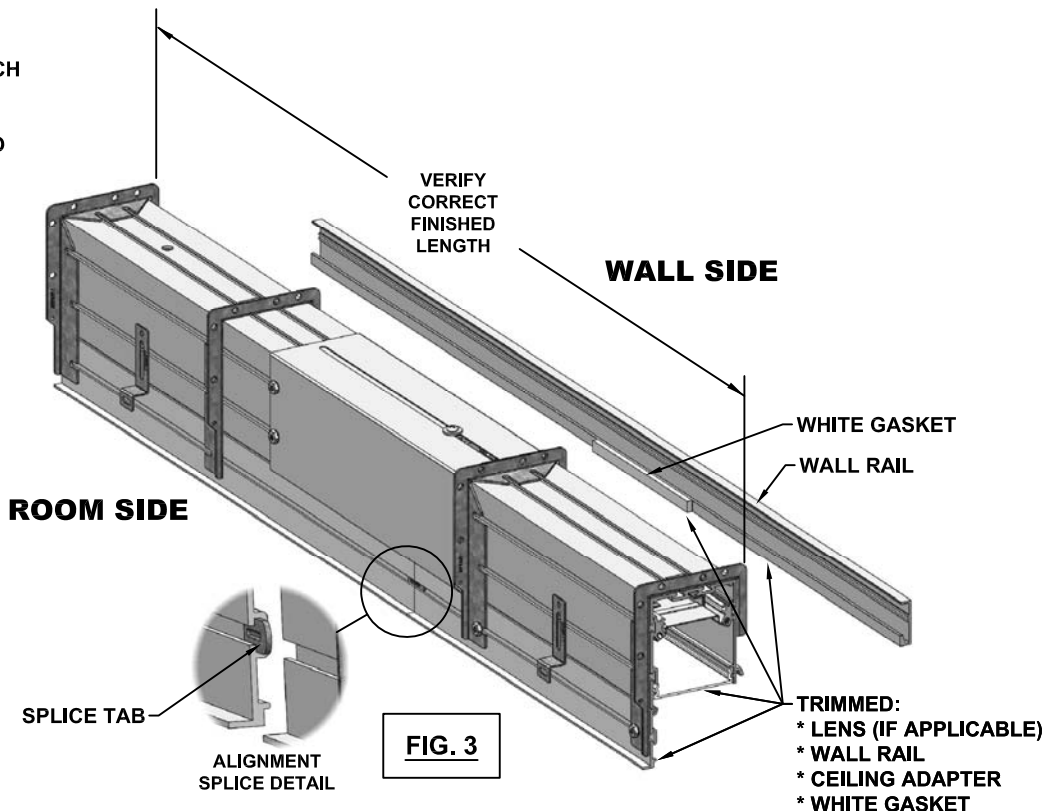


FIG. 3

