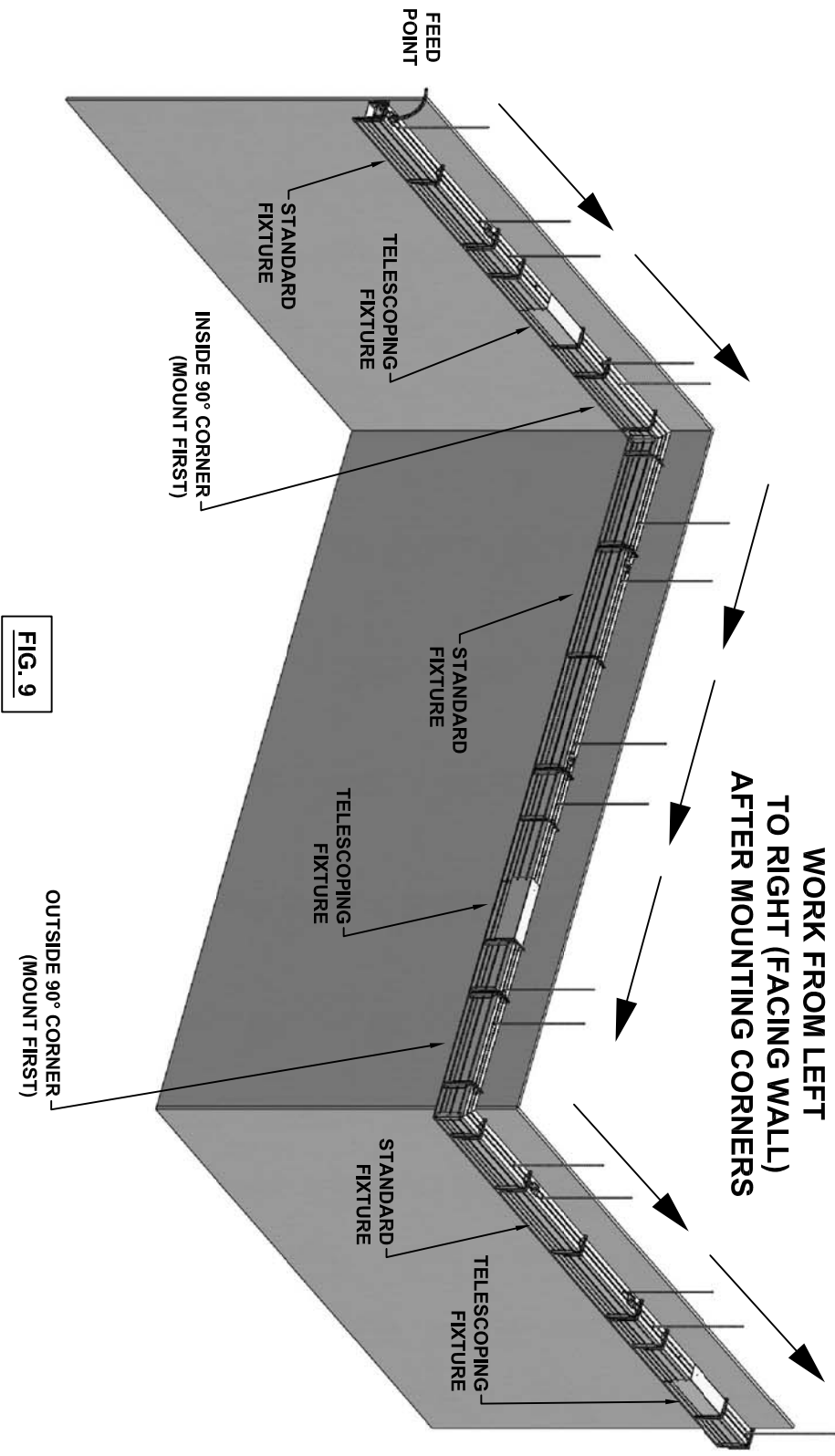


PERIMETER SLOT SERIES 3 OVERLAP FLANGE MTG OPTION SAFETY AND INSTALLATION INSTRUCTIONS

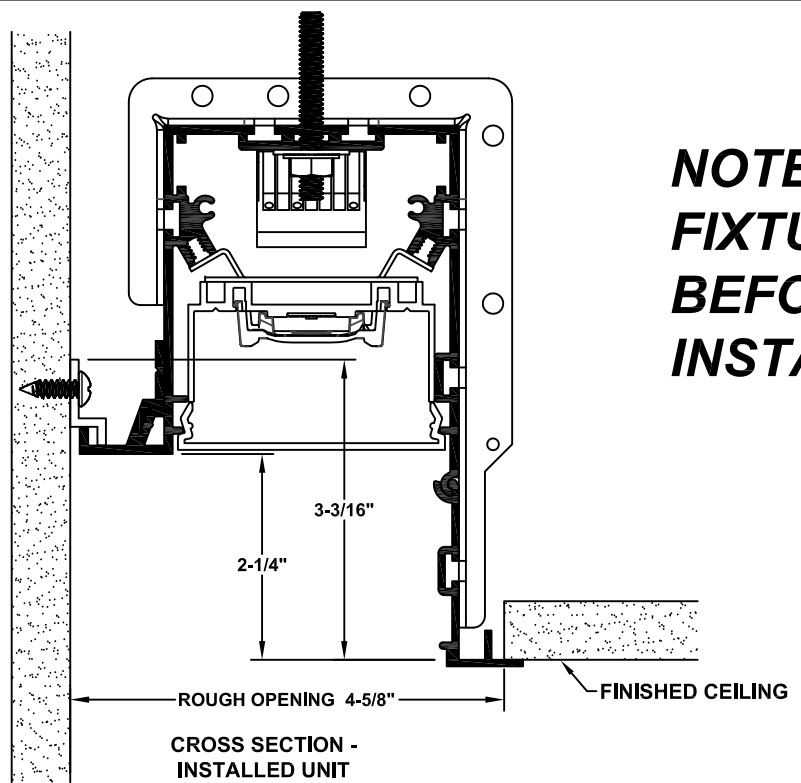
PERIMETER SLOT SERIES 3 OVERLAP FLANGE MTG OPTION SAFETY AND INSTALLATION INSTRUCTIONS



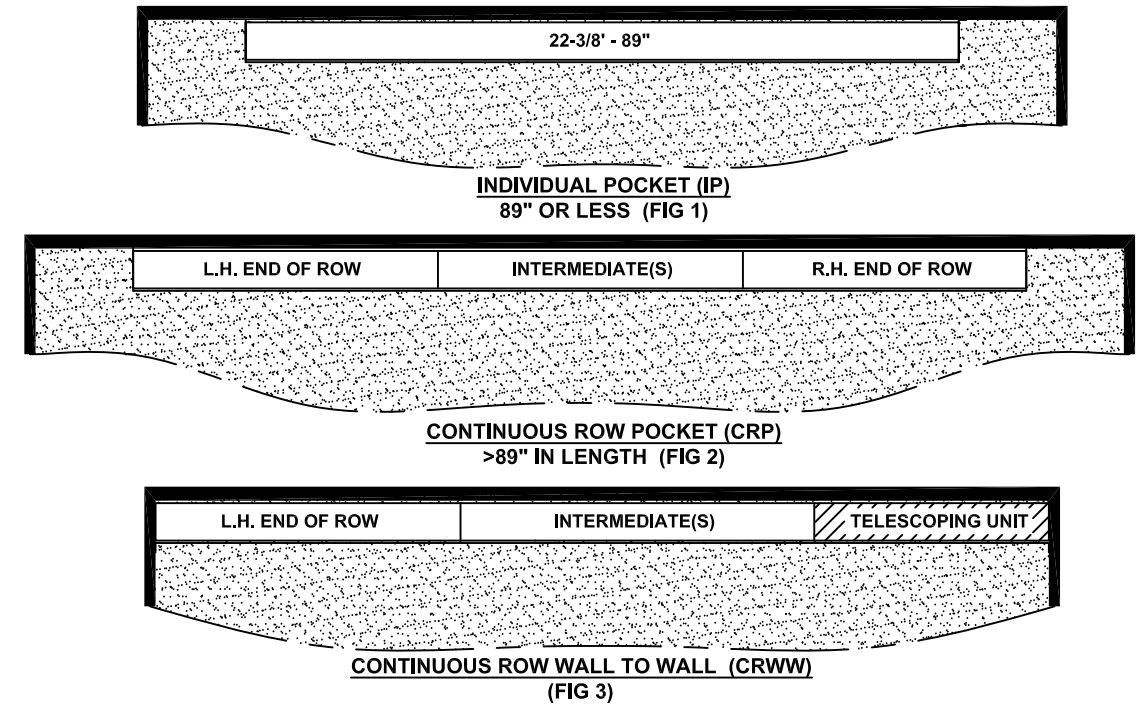
PATTERN INSTALLATION INSTRUCTIONS [REF FIG 9]

- CAUTION:**
- * BE CERTAIN THAT POWER TO FIELD WIRING HAS BEEN TURNED OFF PRIOR TO INSTALLATION.
 - * THIS PRODUCT MUST BE INSTALLED IN ACCORDANCE WITH THE APPLICABLE INSTALLATION CODE BY A PERSON FAMILIAR WITH THE CONSTRUCTION AND OPERATION OF THE PRODUCT AND THE HAZARDS INVOLVED.
 - * IT IS INSTALLER'S RESPONSIBILITY TO ENSURE THAT MOUNTING SURFACE IS STRUCTURALLY CAPABLE OF SUPPORTING WEIGHT OF FIXTURE.
 - * BE CERTAIN THAT SUPPLY VOLTAGE IS THE SAME AS THAT MARKED ON FIXTURE.

CE PRODUIT DOIT ÊTRE INSTALLÉ SELON LE CODE D'INSTALLATION PERTINENT, PAR UNE PERSONNE QUI CONNAÎT BIEN LE PRODUIT ET SON FONCTIONNEMENT AINSI QUE LES RISQUES INHÉRENTS.



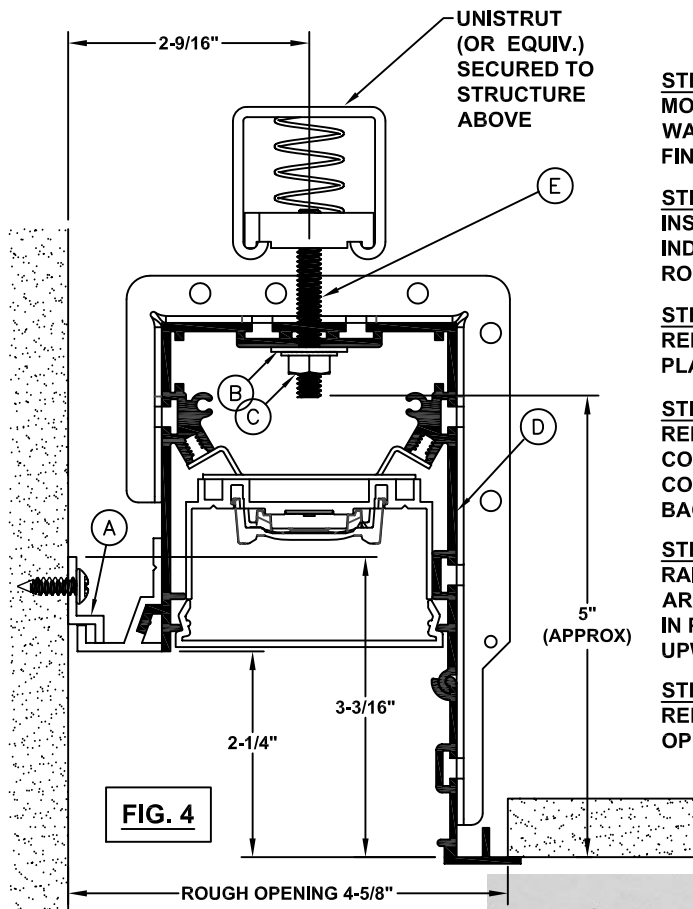
NOTE:
FIXTURES MAY BE INSTALLED BEFORE OR AFTER CEILING INSTALLATION



PERIMETER SLOT SERIES 3 OVERLAP FLANGE MTG OPTION SAFETY AND INSTALLATION INSTRUCTIONS

INDIVIDUAL POCKET (IP) INSTALLATION INSTRUCTIONS [REF FIG 1]

NOTE: IF CEILING IS ALREADY INSTALLED THEN A ROUGH OPENING 4-5/8" WIDE x LENGTH INDICATED ON SHOP DWG IS REQUIRED FOR FIXTURE INSTALLATION.



STEP 1:
MOUNT RAIL (A) IN POCKET ACCORDING TO FIXTURE POSITION. MOUNT TO WALL WITH SUITABLE #10 SCREWS, SO THAT TOP EDGE IS 3-3/16" ABOVE FINISHED CEILING LINE. (FIG 4)

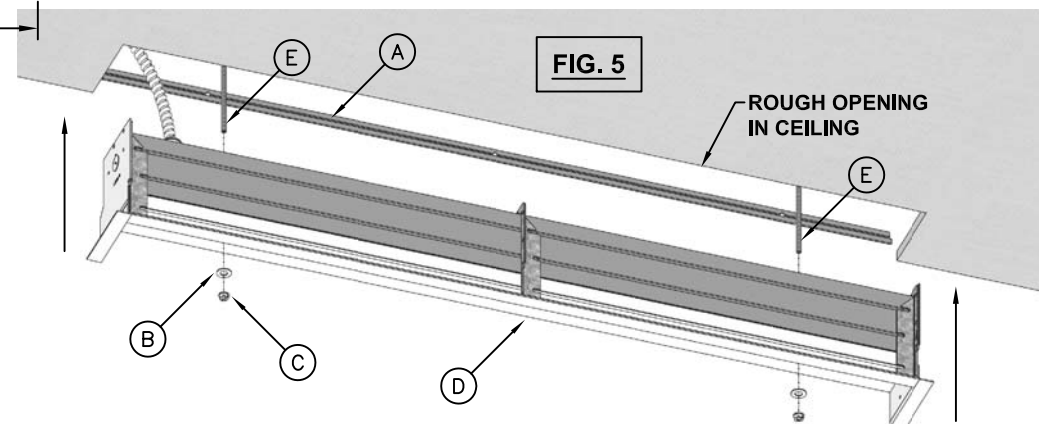
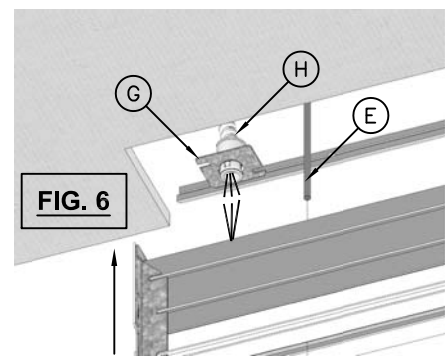
STEP 2:
INSTALL 1/4-20 THREADED RODS (E) 2-9/16" FROM WALL AND ON CENTERS AS INDICATED ON SHOP DRAWING(S). (FIG 4) NOTE: LOWER END OF THREADED ROD SHOULD BE APPROXIMATELY 5" ABOVE FINISHED CEILING LINE.

STEP 3:
REMOVE REFLECTORS. RAISE FIXTURE AND TEMPORARILY HOLD IN PLACE JUST BELOW CEILING.

STEP 4:
REMOVE ACCESS PLATE (G) AT FEED LOCATION AND ATTACH FLEXIBLE CONDUIT/ CONNECTOR (H) TO IT. MAKE INCOMING POWER (AND DIMMING CONTROL IF REQUIRED) WIRE CONNECTIONS AND SECURE ACCESS PLATE BACK ONTO HOUSING. (FIG 6)

STEP 5:
RAISE THE FIXTURE (D) INTO THE POCKET SUCH THAT 1/4-20 THREADED RODS ARE PASSING THROUGH 3/8" DIAMETER MOUNTING HOLES. RETAIN FIXTURE IN PLACE WITH FENDER WASHERS (B) AND 1/4-20 NUTS (C). ADJUST FIXTURE UPWARDS UNTIL IT IS SNUG AGAINST WALL RAIL AND CEILING. (FIG'S 4&5)

STEP 6:
REPLACE REFLECTOR(S) AND ENERGIZE FIXTURE TO CHECK FOR PROPER OPERATION.



CONTINUOUS ROW POCKET (CRP) INSTALLATION INSTRUCTIONS [REF FIG 2]

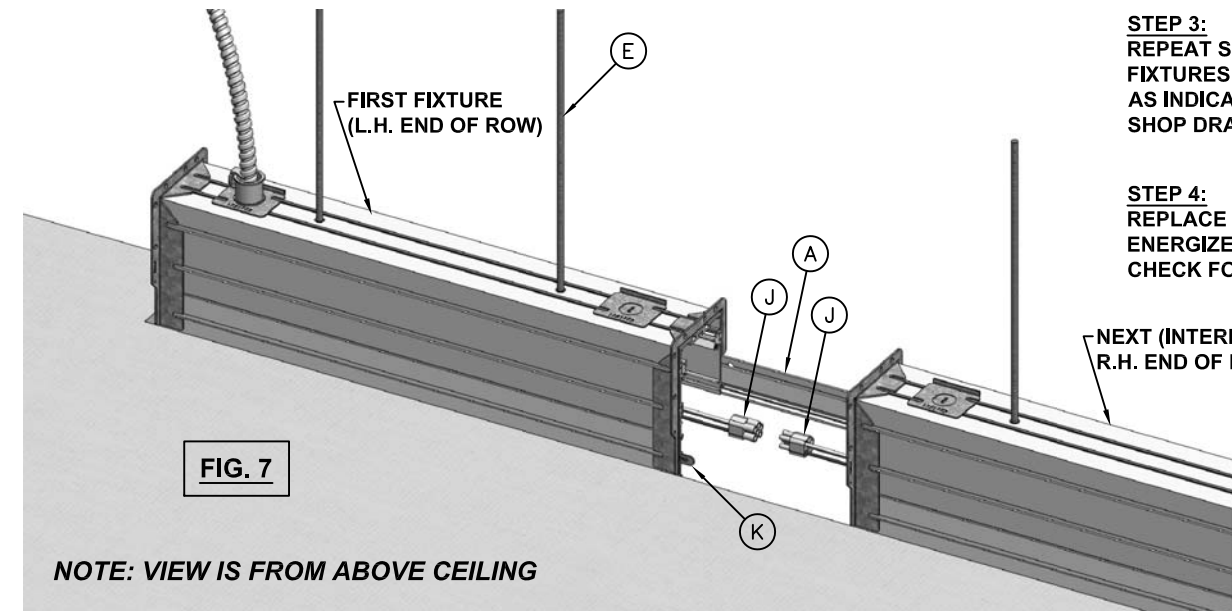
STEP 1:
INSTALL FIRST FIXTURE (L.H. END OF ROW) FOLLOWING (IP) STEPS 1 THROUGH 5 ABOVE FOR INDIVIDUAL FIXTURE.

STEP 2:
RAISE NEXT FIXTURE AND TEMPORARILY HOLD IN POSITION ADJACENT TO FIRST FIXTURE. PLUG WIRE HARNESSSES (J) TOGETHER AND ROUTE EXCESS WIRE INTO WIREWAY CHAMBER. (FIG 7) CONTINUE TO RAISE FIXTURE SO THAT 1/4-20 RODS PASS THROUGH MOUNTING HOLES IN HOUSING. SECURE FIXTURE IN FINAL POSITION BY TIGHTENING 1/4-20 NUTS (C) AND FENDER WASHERS (B) UNTIL FIXTURE IS SNUG AGAINST CEILING AND WALL ANGLE (A). (FIG 4) BE CERTAIN ALIGNMENT TAB (K) ENGAGES WITH CORRESPONDING SLOT IN NEXT FIXTURE. PUSH FIXTURES TOGETHER INSURING THERE IS NO GAP BETWEEN THEM AND THERE ARE NO PINCHED WIRES WITHIN JOINT.

PERIMETER SLOT SERIES 3 OVERLAP FLANGE MTG OPTION SAFETY AND INSTALLATION INSTRUCTIONS

CONTINUOUS ROW POCKET (CRP) INSTALLATION INSTRUCTIONS CONT'D

NOTE: MAKE CERTAIN THERE ARE NO WIRES PINCHED BETWEEN FIXTURES AT JOINT.



STEP 3:
REPEAT STEP 2 WITH REMAINING FIXTURES TO COMPLETE ROW AS INDICATED ON FACTORY SHOP DRAWINGS SUPPLIED.

STEP 4:
REPLACE REFLECTORS AND ENERGIZE FIXTURE ROW TO CHECK FOR PROPER OPERATION.

NOTE: VIEW IS FROM ABOVE CEILING

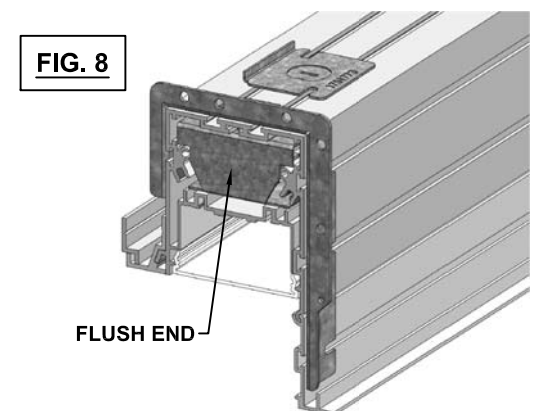
CONTINUOUS ROW WALL TO WALL (CRWW) INSTALLATION INSTRUCTIONS [REF FIG 3]

NOTE: END OF ROW FIXTURES FOR WALL-WALL APPLICATIONS ARE PROVIDED WITH FLUSH ENDS INSTEAD OF FLANGED ENDS SO THAT THEY MAY REST TIGHT AGAINST THE WALL. (FIG 8)

STEP 1:
INSTALL ALL FIXTURES IN ROW EXCEPT LAST FIXTURE (R.H. END OF ROW) AS DESCRIBED IN STEPS 1 THROUGH 4 (CRP) MOUNTING.

STEP 2:
INSTALL LAST FIXTURE (TELESCOPING UNIT) FOLLOWING INSTRUCTIONS INCLUDED WITH IT.

STEP 3:
REPLACE REFLECTORS AND ENERGIZE FIXTURE ROW TO CHECK FOR PROPER OPERATION.



PATTERN MOUNTING & INSTALLATION INSTRUCTIONS [REF FIG 9 - BACK PAGE]

STEP 1:
MOUNT ALL CORNERS FIRST. ALL CORNERS ARE SHIPPED COMPLETELY PRE-ASSEMBLED AND COME WITH PRE-MITERED WALL RAILS. FOLLOW STEPS 1 THROUGH 5 IN (IP) MOUNTING INSTRUCTIONS.

STEP 2:
WORKING FROM LEFT TO RIGHT (FACING WALL), INSTALL STANDARD FIXTURES AS DETAILED IN STEPS 1 THROUGH 5 IN (IP) MOUNTING AND STEPS 2 AND 3 UNDER (CRP) MOUNTING. (FIG 9)

STEP 3:
INSTALL TELESCOPING FIXTURE BETWEEN THE LAST STANDARD FIXTURE(S) AND LEFT SIDE OF CORNER(S) IN ACCORDANCE WITH FACTORY SHOP DRAWING AND INSTRUCTIONS PROVIDED WITH THE TELESCOPING UNIT.

NOTE: MAKE CERTAIN THERE ARE NO WIRES PINCHED AT JOINTS BETWEEN FIXTURES OR CORNERS.

STEP 4:
REPLACE REFLECTORS AND ENERGIZE PATTERN TO CHECK FOR PROPER OPERATION.

