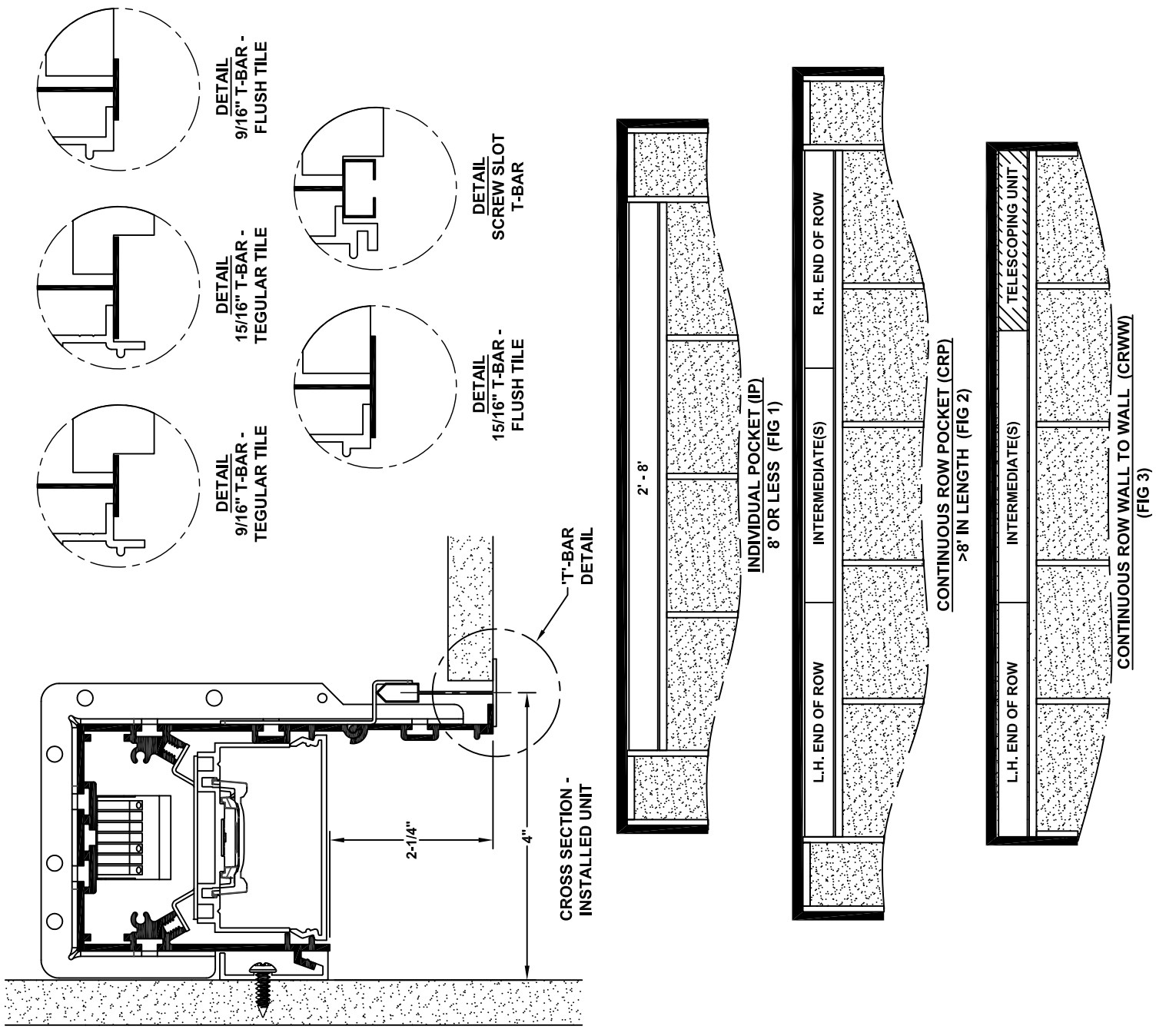


PERIMETER SLOT SERIES 3 GRID MTG OPTION SAFETY AND INSTALLATION INSTRUCTIONS

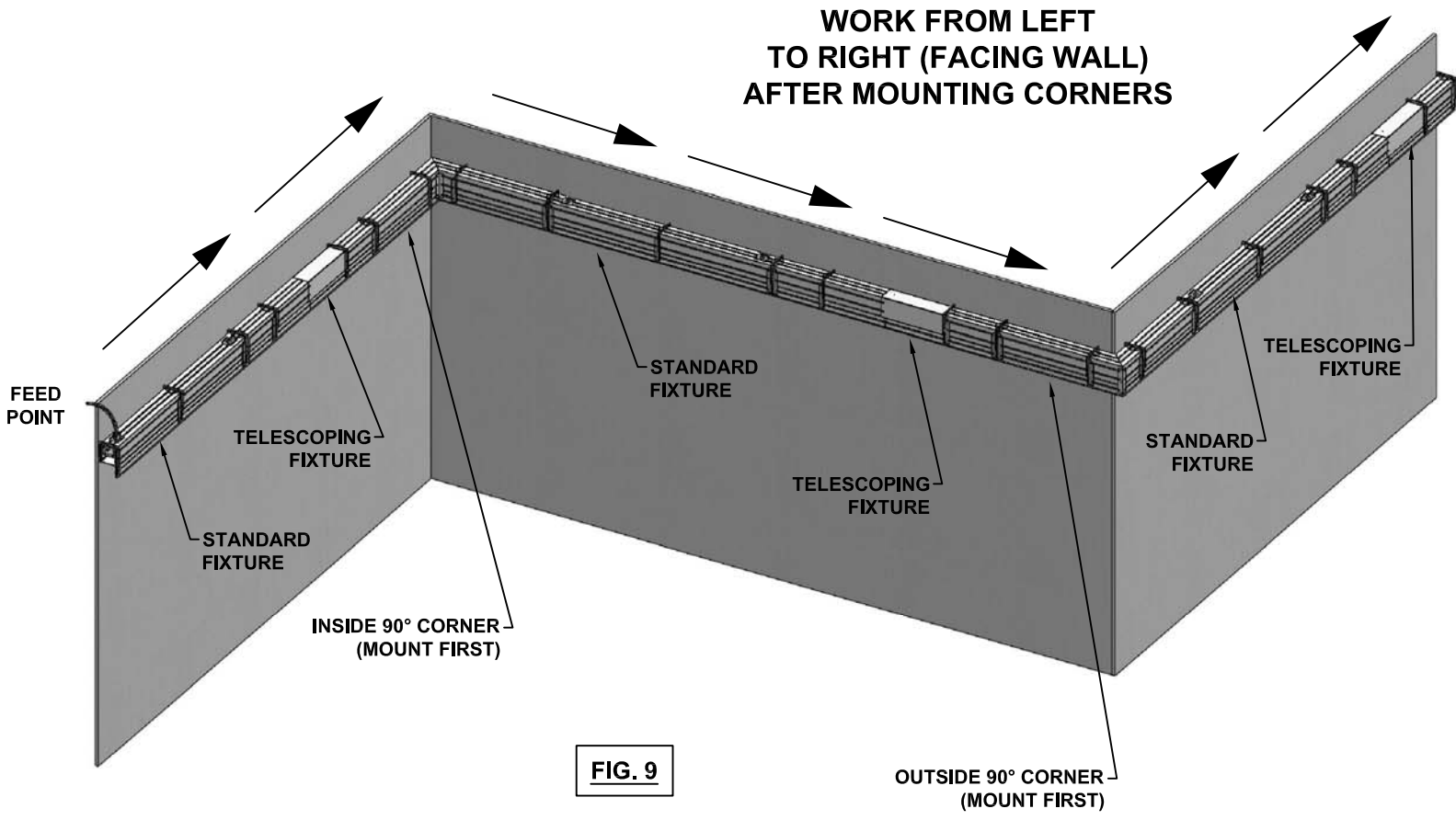
PERIMETER SLOT SERIES 3 GRID MTG OPTION SAFETY AND INSTALLATION INSTRUCTIONS

- CAUTION:**
- * BE CERTAIN THAT POWER TO FIELD WIRING HAS BEEN TURNED OFF PRIOR TO INSTALLATION.
 - * THIS PRODUCT MUST BE INSTALLED IN ACCORDANCE WITH THE APPLICABLE INSTALLATION CODE BY A PERSON FAMILIAR WITH THE CONSTRUCTION AND OPERATION OF THE PRODUCT AND THE HAZARDS INVOLVED.
 - * IT IS INSTALLER'S RESPONSIBILITY TO ENSURE THAT MOUNTING SURFACE IS STRUCTURALLY CAPABLE OF SUPPORTING WEIGHT OF FIXTURE.
 - * BE CERTAIN THAT SUPPLY VOLTAGE IS THE SAME AS THAT MARKED ON FIXTURE.

CE PRODUIT DOIT ÊTRE INSTALLÉ SELON LE CODE D'INSTALLATION PERTINENT, PAR UNE PERSONNE QUI CONNAÎT BIEN LE PRODUIT ET SON FONCTIONNEMENT AINSI QUE LES RISQUES INHÉRENTS.



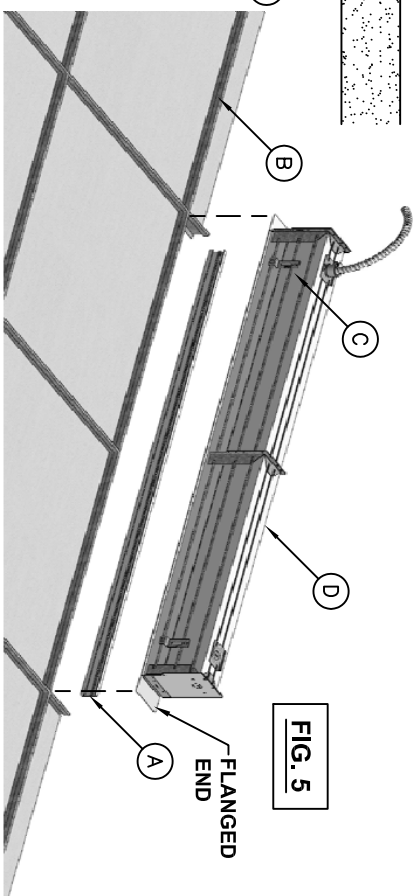
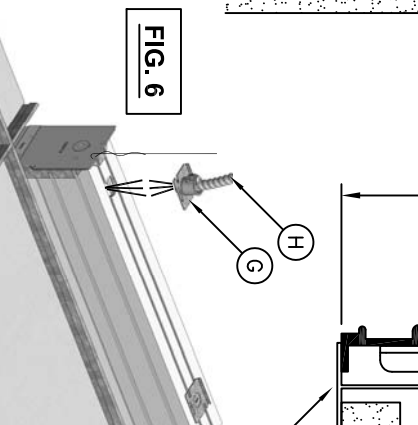
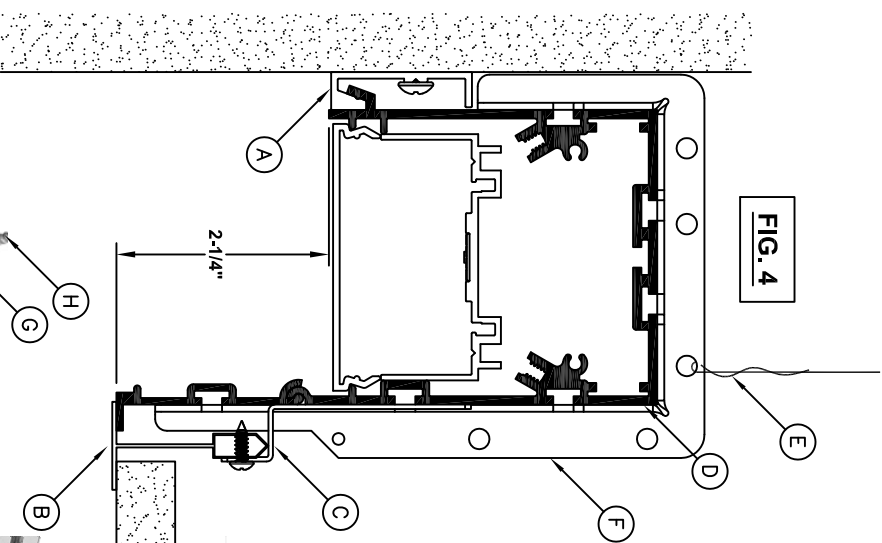
PATTERN INSTALLATION INSTRUCTIONS [REF FIG 9]



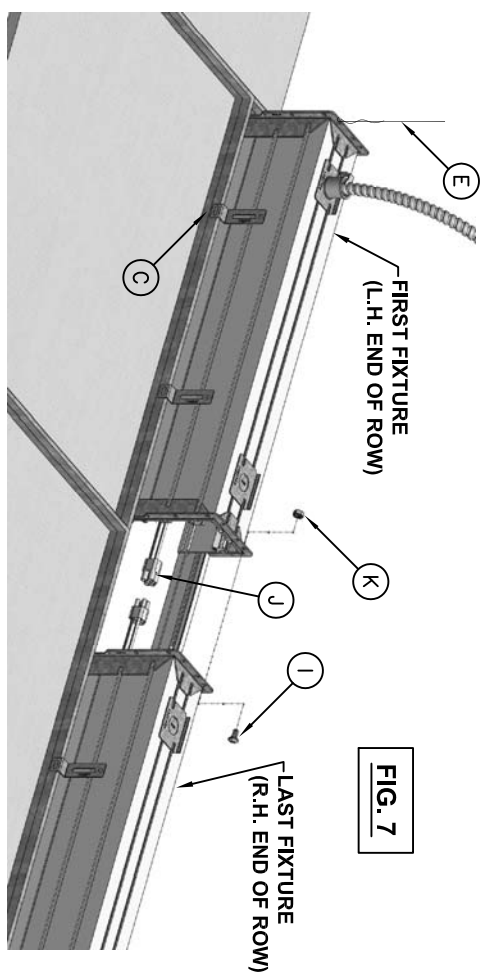
PERIMETER SLOT SERIES 3 GRID MTG OPTION SAFETY AND INSTALLATION INSTRUCTIONS

INDIVIDUAL POCKET (IP) INSTALLATION INSTRUCTIONS [REF FIG 1]

- STEP 1:**
CENTER WALL RAIL (A) IN POCKET AND MOUNT TO WALL WITH SUITABLE #10 SCREWS. BOTTOM OF RAIL MUST BE 2-1/4" ABOVE FINISHED CEILING LINE. (FIG 4)
- STEP 2:**
RAISE THE FIXTURE (D) ABOVE THE CEILING GRID & LOWER IT INTO THE POCKET SO IT FULLY ENGAGES ON THE WALL RAIL (A) AND RESTS ON CEILING GRID (B). (FIG 5)
- STEP 3:**
ADJUST GRID SAFETY BRACKET (C) SO IT IS RESTING ON TOP OF GRID & SECURE TO GRID WITH #8 TEK SCREW
- STEP 4:**
SUPPORT GRID SIDE OF FIXTURE WITH 12 GA. SAFETY WIRE (E) FROM FIXTURE CROSS BRACE (F) TO STRUCTURE ABOVE.
- STEP 5:**
REMOVE ACCESS PLATE (G) AT FEED LOCATION AND ATTACH FLEXIBLE CONDUIT/ CONNECTOR (H) TO IT. MAKE INCOMING POWER (AND DIMMING CONTROL IF REQUIRED) WIRE CONNECTIONS AND SECURE ACCESS PLATE BACK ONTO HOUSING. (FIG 6)
- STEP 6:**
ENERGIZE FIXTURE AND CHECK FOR PROPER OPERATION.



CONTINUOUS ROW POCKET (CRP) INSTALLATION INSTRUCTIONS [REF FIG 2]



- STEP 1:**
INSTALL FIRST (LH END OF ROW) FIXTURE FOLLOWING STEPS 1 THROUGH 4 ABOVE FOR INDIVIDUAL FIXTURE MOUNTING.
- STEP 2:**
REMOVE REFLECTORS (ONLY IF REQUIRED) ON BOTH SIDES OF JOINT LOCATION TO GAIN ACCESS TO WIREWAY.
- STEP 3:**
ALIGN NEXT FIXTURE WITH FIRST FIXTURE WITHOUT FULLY SEATING IT IN THE WALL RAIL. PLUG WIRE HARNESS (J) TOGETHER AND ROUTE EXCESS WIRE INTO WIREWAY CHAMBER. LOWER FIXTURE INTO POSITION SO THAT THERE IS NO GAP BETWEEN FIXTURES. SECURE FIXTURES TOGETHER WITH 3 NUTS (K) AND 3 BOLTS (L) PROVIDED IN CROSS BRACE. (FIG 7)

PERIMETER SLOT SERIES 3 GRID MTG OPTION SAFETY AND INSTALLATION INSTRUCTIONS

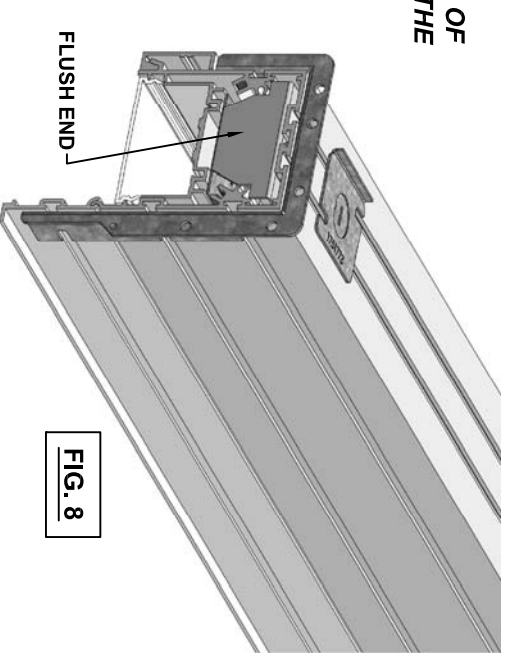
CONTINUOUS ROW POCKET (CRP) INSTALLATION INSTRUCTIONS CONT'D

- NOTE: MAKE CERTAIN THERE ARE NO WIRES PINCHED BETWEEN FIXTURES AT JOINT.**
- STEP 4:**
INSTALL REFLECTORS, AND SECURE FIXTURE TO GRID WITH GRID SAFETY BRACKET (C) AND TO STRUCTURE ABOVE WITH SAFETY WIRE (E).
- STEP 5:**
REPEAT STEPS 2, 3 AND 4 WITH ADDITIONAL FIXTURES TO COMPLETE ROW AS INDICATED ON FACTORY SHOP DRAWINGS SUPPLIED.
- STEP 6:**
REMOVE ACCESS PLATE (G) AT FEED LOCATION AND ATTACH FLEXIBLE CONDUIT/ CONNECTOR (H) TO IT. MAKE INCOMING POWER (AND DIMMING CONTROL IF REQUIRED) WIRE CONNECTIONS AND SECURE ACCESS PLATE BACK ONTO HOUSING. (FIG 6)
- STEP 7:**
ENERGIZE FIXTURE ROW AND CHECK FOR PROPER OPERATION.

CONTINUOUS ROW WALL TO WALL (CRWW) INSTALLATION INSTRUCTIONS [REF FIG 3]

NOTE: END OF ROW FIXTURES FOR WALL-WALL APPLICATIONS ARE PROVIDED WITH FLUSH ENDS INSTEAD OF FLANGED ENDS SO THAT THEY MAY REST TIGHT AGAINST THE WALL. (FIG 8)

- STEP 1:**
INSTALL ALL FIXTURES IN ROW EXCEPT LAST FIXTURE (RH END OF ROW) AS DESCRIBED IN STEPS 1 THROUGH 5 -CRP MOUNTING.
- STEP 2:**
INSTALL LAST FIXTURE (TELESCOPING UNIT) FOLLOWING INSTRUCTIONS INCLUDED WITH IT.
- STEP 3:**
REMOVE ACCESS PLATE (G) AT FEED LOCATION AND ATTACH FLEXIBLE CONDUIT/ CONNECTOR (H) TO IT. MAKE INCOMING POWER (AND DIMMING CONTROL IF REQUIRED) WIRE CONNECTIONS AND SECURE ACCESS PLATE BACK ONTO HOUSING. (FIG 6)
- STEP 4:**
ENERGIZE FIXTURE ROW AND CHECK FOR PROPER OPERATION.



PATTERN MOUNTING & INSTALLATION INSTRUCTIONS [REF FIG 9 - BACK PAGE]

- STEP 1:**
MOUNT ALL CORNERS FIRST. ALL CORNERS ARE SHIPPED COMPLETELY PRE-ASSEMBLED AND COME WITH PRE-MITERED WALL RAILS. FOLLOW STEPS 1 THROUGH 4 IN "IP" MOUNTING INSTRUCTIONS.
- STEP 2:**
WORKING FROM LEFT TO RIGHT (FACING WALL), INSTALL STANDARD FIXTURES AS DETAILED IN STEPS 1 THROUGH 4 IN "IP" MOUNTING AND STEPS 2 AND 3 UNDER "CRP" MOUNTING. (FIG 9)
- STEP 3:**
INSTALL TELESCOPING FIXTURE BETWEEN THE LEFT SIDE OF CORNER(S) AND LAST STANDARD FIXTURE IN ACCORDANCE WITH FACTORY SHOP DRAWING AND INSTRUCTIONS PROVIDED WITH THE TELESCOPING UNIT.
- NOTE: MAKE CERTAIN THERE ARE NO WIRES PINCHED BETWEEN FIXTURES OR CORNERS.**
- STEP 4:**
REMOVE ACCESS PLATE (G) AT FEED LOCATION AND ATTACH FLEXIBLE CONDUIT/ CONNECTOR (H) TO IT. MAKE INCOMING POWER (AND DIMMING CONTROL IF REQUIRED) WIRE CONNECTIONS AND SECURE ACCESS PLATE BACK ONTO HOUSING.
- STEP 5:**
ENERGIZE FIXTURE PATTERN AND CHECK FOR PROPER OPERATION.