

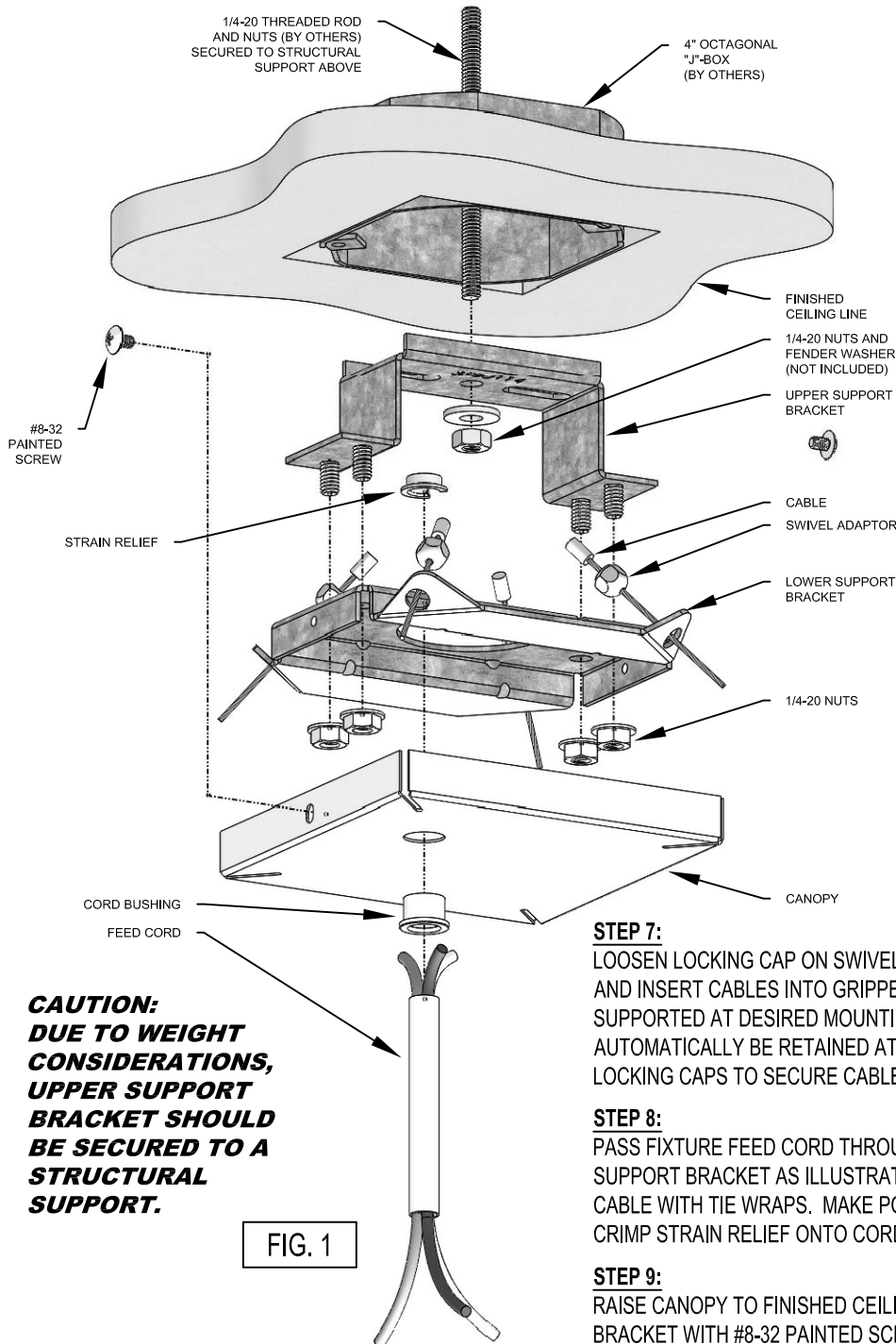
SAFETY AND INSTALLATION INSTRUCTIONS

MICROQUAD SERIES 2 - SUSPENDED

CAUTION:

- * BE CERTAIN THAT POWER TO FIELD WIRING HAS BEEN TURNED OFF PRIOR TO INSTALLATION.
- * THIS PRODUCT MUST BE INSTALLED IN ACCORDANCE WITH THE APPLICABLE INSTALLATION CODE BY A PERSON FAMILIAR WITH THE CONSTRUCTION AND OPERATION OF THE PRODUCT AND THE HAZARDS INVOLVED.
- * IT IS INSTALLER'S RESPONSIBILITY TO ENSURE THAT MOUNTING SURFACE IS STRUCTURALLY CAPABLE OF SUPPORTING WEIGHT OF FIXTURE.
- * BE CERTAIN THAT SUPPLY VOLTAGE IS THE SAME AS THAT MARKED ON FIXTURE.

CE PRODUIT DOIT ÊTRE INSTALLÉ SELON LE CODE D'INSTALLATION PERTINENT, PAR UNE PERSONNE QUI CONNAÎT BIEN LE PRODUIT ET SON FONCTIONNEMENT AINSI QUE LES RISQUES INHÉRENTS.



STEP 1:

INSTALL A 4" OCTAGONAL "J"-BOX AT SUSPENSION LOCATION. LOWER EDGE OF "J"-BOX SHOULD BE FLUSH WITH FINISHED CEILING LINE AS ILLUSTRATED. (FIG 1)

STEP 2:

REMOVE CENTER KNOCK-OUT FROM TOP OF "J"-BOX. SECURE AN APPROPRIATE LENGTH OF 1/4-20 THREADED ROD TO STRUCTURAL SUPPORT ABOVE AND ENTERING "J"-BOX APPROXIMATELY 1/2" AT OPPOSITE END.

STEP 3:

SECURE UPPER SUPPORT BRACKET WITHIN JUNCTION BOX TO THREADED ROD WITH 1/4-20 NUTS AND FENDER WASHER (NOT INCLUDED) AS ILLUSTRATED. (FIG 1)

STEP 4:

SLIDE SWIVEL ADAPTORS ONTO 4 CABLES (ROUNDED SIDE DOWN) AS ILLUSTRATED AND PASS CABLES THROUGH 4 CORNER HOLES ON THE LOWER SUPPORT BRACKET. (FIG 1)

STEP 5:

SECURE LOWER SUPPORT BRACKET TO UPPER SUPPORT BRACKET WITH 4 - 1/4-20 NUTS PROVIDED. (FIG 1)

STEP 6:

RAISE MICROQUAD FIXTURE, KEEPING IT LEVEL SO AS NOT TO PUT STRESS ON CORNERS, TO APPROXIMATE MOUNTING HEIGHT.

STEP 7:

LOOSEN LOCKING CAP ON SWIVEL CABLE GRIPPERS AT EACH CORNER OF FIXTURE AND INSERT CABLES INTO GRIPPERS. PUSH CABLES INTO GRIPPERS UNTIL FIXTURE IS SUPPORTED AT DESIRED MOUNTING HEIGHT AND IS LEVEL. FIXTURE WILL AUTOMATICALLY BE RETAINED AT LAST POINT OF CABLE ADJUSTMENT. TIGHTEN LOCKING CAPS TO SECURE CABLE AT LAST POINT OF ADJUSTMENT. (FIG 2)

STEP 8:

PASS FIXTURE FEED CORD THROUGH BUSHING IN CANOPY AND HOLE IN LOWER SUPPORT BRACKET AS ILLUSTRATED. FEED CORD SHOULD BE SECURED TO CORNER CABLE WITH TIE WRAPS. MAKE POWER FEED CONNECTIONS WITHIN "J"-BOX AND CRIMP STRAIN RELIEF ONTO CORD ABOVE LOWER SUPPORT BRACKET. (FIG 2)

STEP 9:

RAISE CANOPY TO FINISHED CEILING LINE AND SECURE IT TO THE LOWER SUPPORT BRACKET WITH #8-32 PAINTED SCREWS PROVIDED. (FIG 1)

CAUTION:
DUE TO WEIGHT CONSIDERATIONS, UPPER SUPPORT BRACKET SHOULD BE SECURED TO A STRUCTURAL SUPPORT.

CONTINUED ON REVERSE



Precision Architectural Lighting

Tel (713) 946-4343 Fax (713) 946-4441 www.palighting.com

4830 Timber Creek Drive Houston, Texas 77017

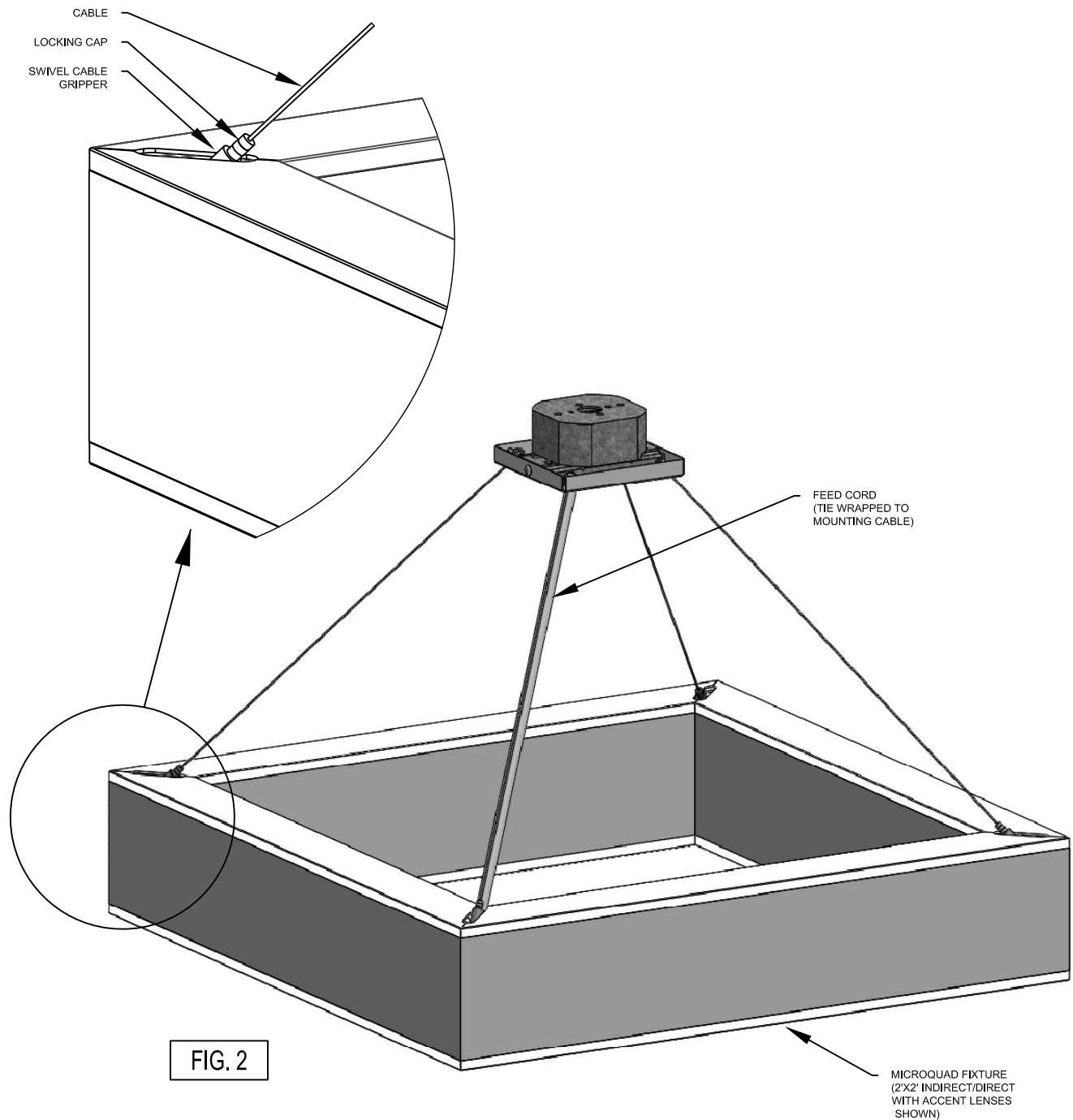
PAL RESERVES THE RIGHT TO CHANGE PRODUCT DESIGN AND SPECIFICATIONS. CONTACT FACTORY FOR MOST RECENT PRODUCT INFORMATION.

3750180-1 4/17

SAFETY AND INSTALLATION INSTRUCTIONS

MICROQUAD SERIES 2 - SUSPENDED

NOTE: IF IT BECOMES NECESSARY TO LOWER FIXTURE, LOOSEN LOCKING CAPS AND DEPRESS LOCKING STEMS AND LOWER FIXTURE TO DESIRED POSITION. BE CERTAIN TO SUPPORT FIXTURE INDEPENDENTLY OF CABLES WHEN DEPRESSING LOCKING STEMS. RE-TIGHTEN LOCKING CAPS WHEN COMPLETE.



INDIVIDUAL FIXTURE INSTALLATION



Precision Architectural Lighting

Tel (713) 946-4343 Fax (713) 946-4441 www.palighting.com

4830 Timber Creek Drive Houston, Texas 77017

PAL RESERVES THE RIGHT TO CHANGE PRODUCT DESIGN AND SPECIFICATIONS. CONTACT FACTORY FOR MOST RECENT PRODUCT INFORMATION.

3750180-2 4/17