

MICROQUAD™
SUSPENDED & RECESSED

PAL
ARCHITECTURAL

MICROQUAD SYSTEM

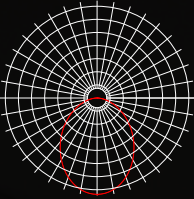
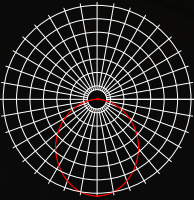
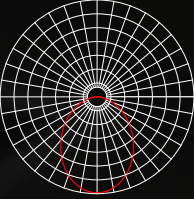
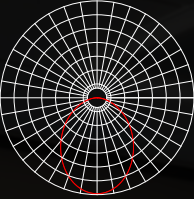

The new PAL Microquad is a compact pattern solution that adds a bold statement to your designs. The Microquad led system incorporates popular features and options that make your interior designs more functional and appealing.

- A stylish alternative to individual linear fixtures, the Microquad is a factory-assembled pattern with no breaks, seams or distracting elements
- Configuration options for the Microquad family include 2'x2', 3'x3', 4'x4' suspended (direct and direct-indirect), and 2'x2' and 2'x4' recessed (direct only)
- The compact Microquad recessed is an ideal choice for spaces with dropped-grid ceilings.

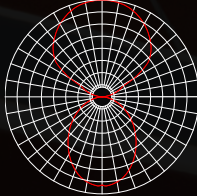
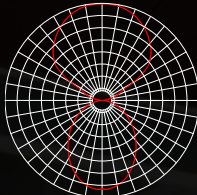
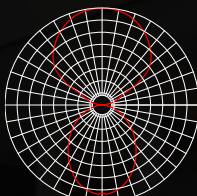


FLEXIBLE SYSTEM SOLUTIONS

Complementing the contemporary look of our Microlinea family of fixtures, Microquad is available with a flush lens or a dimensional accent lens that extends light beyond the fixture's edge. The recessed Microquad is IC-rated and may be ordered with an optional center panel that can be finished to complement or contrast the color of nearby walls, ceilings or other architectural elements

Series/ Orientation/ Mounting	Pattern Configuration	Distributions (Flush Lenses)	Standard Outputs (Flush Lenses)	Delivered Lumens/Foot	Efficacies (Lumens/Watt)
MQR2-DIRECT- RECESSED Grid Ceilings	2' X 2'		HO = High Output	626 Lms/Ft	102 Lms/W
			MO = Medium Output	433 Lms/Ft	108 Lms/W
			Custom Output (Contact Factory)		
	2' X 4'		HO = High Output	624 Lms/Ft	99 Lms/W
			MO = Medium Output	430 Lms/Ft	103 Lms/W
			Custom Output (Contact Factory)		
MQS2-DIRECT- SUSPENDED	2' X 2'		HO = High Output	587 Lms/Ft	96 Lms/W
			MO = Medium Output	(Consult factory)	
			Custom Output (Contact Factory)		
	3' X 3'		HO = High Output	723 Lms/Ft	105 Lms/W
			MO = Medium Output	(Consult factory)	
			Custom Output (Contact Factory)		
4' X 4'		HO = High Output	733 Lms/Ft	98 Lms/W	
		MO = Medium Output	(Consult factory)		
		Custom Output (Contact Factory)			



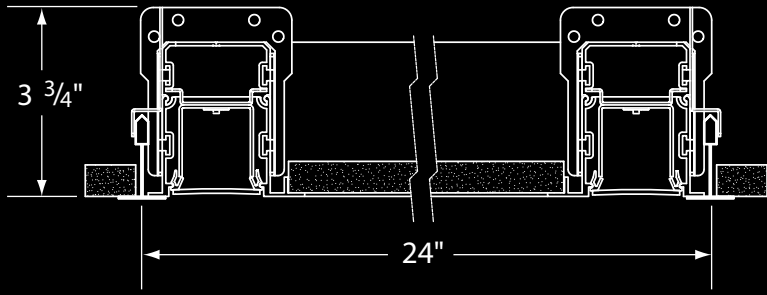
Series/ Orientation/ Mounting	Pattern Configuration	Distributions (Flush Lenses)	Standard Outputs (Flush Lenses)	Delivered Lumens/Foot	Efficacies (Lumens/Watt)
MQS2-INDIRECT/ DIRECT- SUSPENDED	2' X 2'		HO/HO = High Output (Up/ Down)	1424 Lms/Ft	116 Lms/W
			MO/MO = Medium Output (Up/Down)	(Consult factory)	
			CO/CO = Custom Output (Up/Down) (Contact Factory)		
	3' X 3'		HO/HO = High Output (Up/ Down)	1709 Lms/Ft	124 Lms/W
			MO/MO = Medium Output (Up/Down)	(Consult factory)	
			CO/CO = Custom Output (Up/Down) (Contact Factory)		
4' X 4'		HO/HO = High Output (Up/ Down)	1689 Lms/Ft	114 Lms/W	
		MO/MO = Medium Output (Up/Down)	(Consult factory)		
		CO/CO = Custom Output (Up/Down) (Contact Factory)			



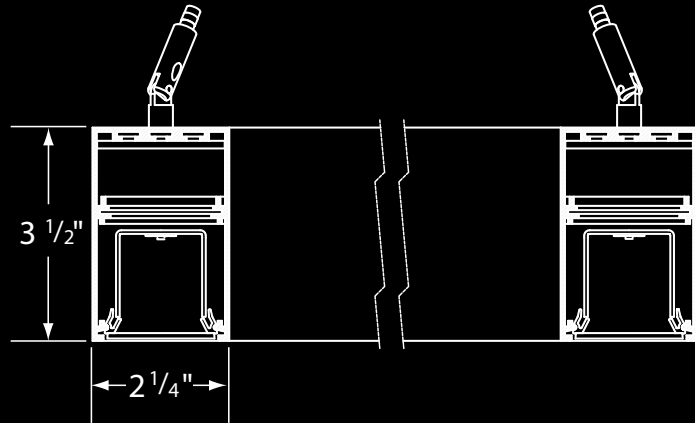
MICROQUAD LED



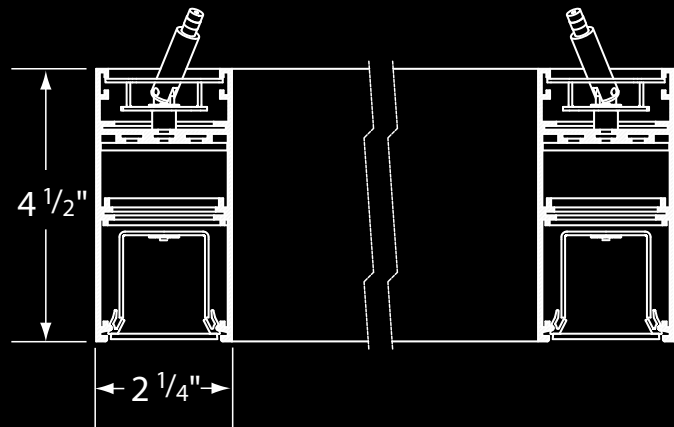
RECESSED



CABLE DIRECT



CABLE INDIRECT/DIRECT



4830 Timber Creek Drive,
Houston, TX 77017
P: 713.946.4343
F: 713.946.4441
www.pal-lighting.com

PAL
ARCHITECTURAL