

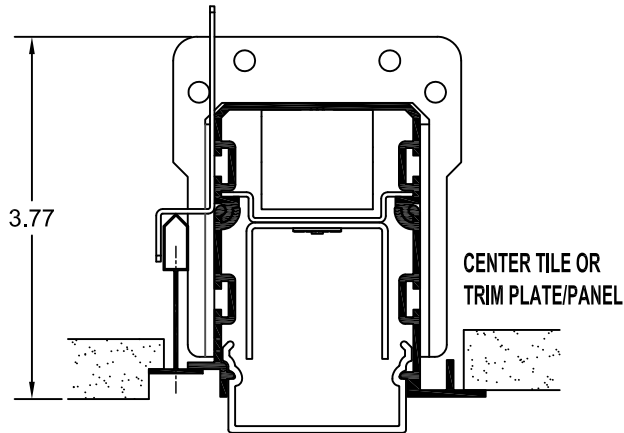
SAFETY AND INSTALLATION INSTRUCTIONS

MICROQUAD SERIES 2 - 2X2 - GRID MOUNT

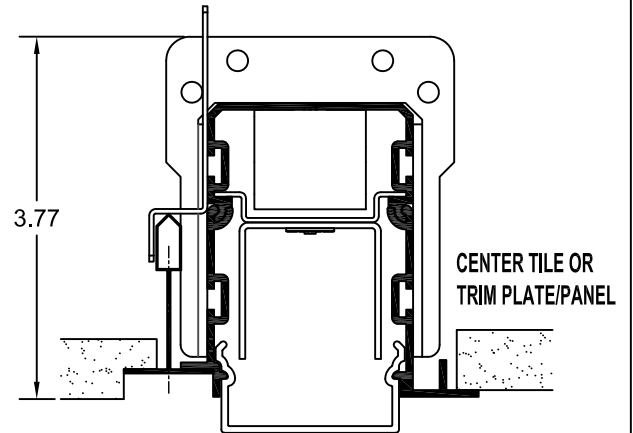
CAUTION:

- * BE CERTAIN THAT POWER TO FIELD WIRING HAS BEEN TURNED OFF PRIOR TO INSTALLATION.
- * THIS PRODUCT MUST BE INSTALLED IN ACCORDANCE WITH THE APPLICABLE INSTALLATION CODE BY A PERSON FAMILIAR WITH THE CONSTRUCTION AND OPERATION OF THE PRODUCT AND THE HAZARDS INVOLVED.
- * IT IS INSTALLER'S RESPONSIBILITY TO ENSURE THAT MOUNTING SURFACE IS STRUCTURALLY CAPABLE OF SUPPORTING WEIGHT OF FIXTURE.
- * BE CERTAIN THAT SUPPLY VOLTAGE IS THE SAME AS THAT MARKED ON FIXTURE.

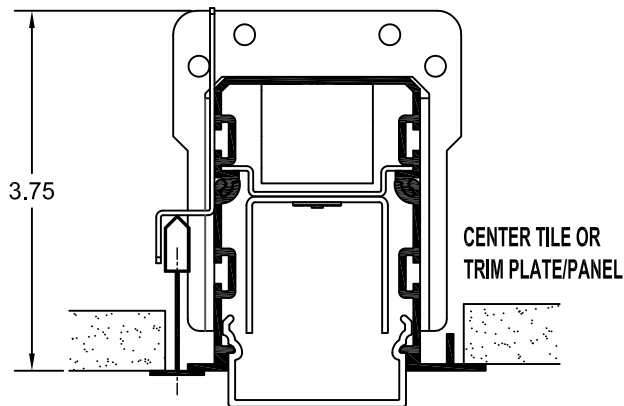
CE PRODUIT DOIT ÊTRE
INSTALLÉ SELON LE CODE
D'INSTALLATION PERTINENT,
PAR UNE PERSONNE QUI
CONNAÎT BIEN LE PRODUIT
ET SON FONCTIONNEMENT
AINSI QUE LES RISQUES
INHÉRENTS.



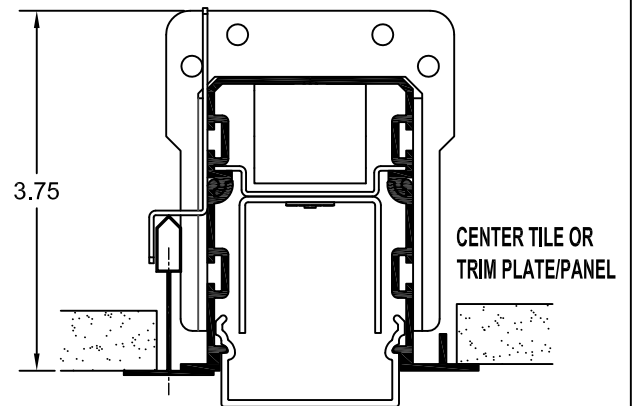
9/16" T-BAR WITH TEGULAR TILE



15/16" T-BAR WITH TEGULAR TILE

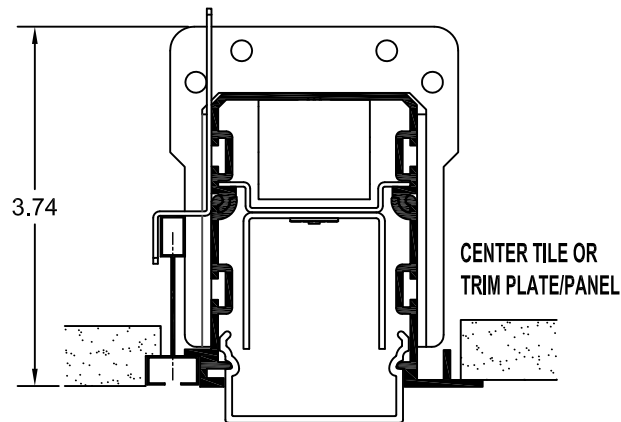


9/16" T-BAR WITH FLUSH TILE



15/16" T-BAR WITH FLUSH TILE

REFERENCE
BACK OF PAGE
FOR INDIVIDUAL
FIXTURE
INSTALLATION.



SCREW SLOT GRID



SAFETY AND INSTALLATION INSTRUCTIONS MICROQUAD SERIES 2 - 2X2 - GRID MOUNT

INDIVIDUAL FIXTURE INSTALLATION

STEP 1:

LOOSEN SAFETY BRACKET LOCKNUTS AND INSTALL FIXTURE IN A 24" X 24" GRID MODULE. ADJUST SAFETY BRACKETS SO THEY ARE FIRMLY SEATED ON TOP OF THE GRID AND SECURE THEM IN PLACE BY TIGHTENING LOCKNUTS. INSTALL "TEK" SCREW (BY OTHERS) THROUGH SAFETY BRACKET & INTO GRID. (FIG 1)

STEP 2:

REMOVE LENS AND REFLECTOR UNDER 7/8" DIA. ELECTRICAL CONNECTION HOLE. INSTALL CONDUIT TO FIXTURE HOUSING AND MAKE WIRE CONNECTIONS WITH MINIMUM 90°C RATED CONNECTORS WITHIN FIXTURE WIREWAY.

STEP 3:

REPLACE REFLECTOR AND LENS AND ENERGIZE FIXTURE TO CHECK FOR PROPER OPERATION.

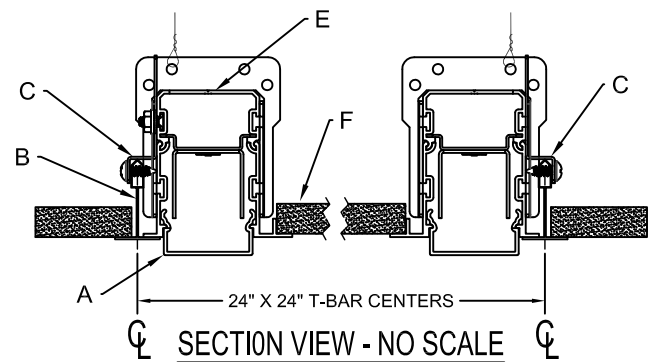


FIG. 1

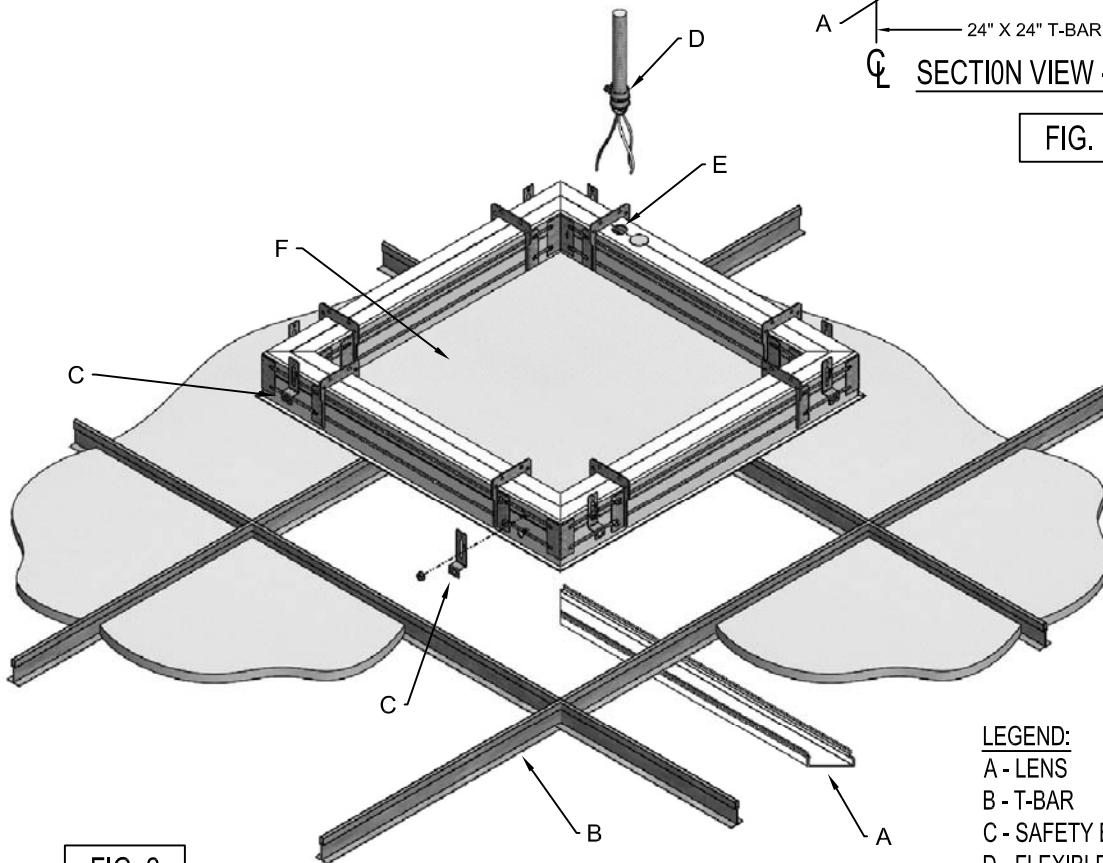


FIG. 2

LEGEND:

- A - LENS
- B - T-BAR
- C - SAFETY BRACKETS
- D - FLEXIBLE CONDUIT (BY OTHERS)
- E - POWER FEED HOLE
- F - CENTER TILE/PANEL

