

Microlinea™ Wall Series 5- Indirect/Direct

Catalog Number	Type
Project Name	



MLP5-I/D

5 13/16" x 5 3/8" Indirect/Direct Wall Mount



S P E C I F I C A T I O N S

Housing

One-piece .090" thick extruded aluminum. Die-cast aluminum end caps are secured with no visible fasteners. Standard lengths are nominal 2', 3', 4', 6', 8' and 12'. Provisions may be made for continuous rows of any length.

Finish

Standard and premium finishes are baked powder coat electrostatically applied (2.0 mil minimum thickness) to assure aesthetics and durability.

Indirect Optical Controls

- (OP) Open Top
- (FDC) Frosted 100% polycarbonate dust cover

Direct Optical Controls

(LOH) .090" thick, high transmittance extruded snap-in lens, formulated for maximum diffusion of the LED light source.

Reflector/Heat Sink

- Indirect - .040" thick die-formed aluminum finished with a high reflectance white enamel.
- Direct - .040" thick die-formed aluminum finished with a high reflectance white enamel.

Driver (Standard)

Power supply is UL/CUL recognized, 0-10V dimming available, 120-277 universal voltage.

Driver (Tunable White)

EldoLED power supply is UL recognized, DALI or DMX available, 120-277 universal voltage.

Light Engine (Standard)

LED light source modules available for 3000K, 3500K and 4000K CCT:

MO/MO: *4797 Total Delivered Lms. at 38 System Watts

HO/HO: *8004 Total Delivered Lms. at 67 System Watts
Both outputs meet DLC Standard certification.
(*Values per 4' length using 4000K LED modules)

Light Engine (Tunable White)

Tunable White LED light source available for 2700K thru 6500K CCT, and 80 or 90 CRI.
Contact factory for available outputs.

Circuitry

All fixtures are factory pre-wired for a single circuit. Provision for multiple switching/circuiting is optional.

Wiring

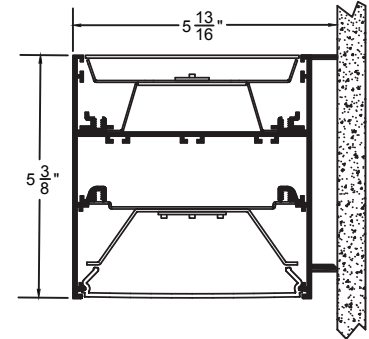
All fixtures intended for continuous rows are provided with factory installed quick-connect wiring.

Controls

Contact factory for control by Occupancy Sensors, Photo Controls and Daylight Harvesting.

Certification

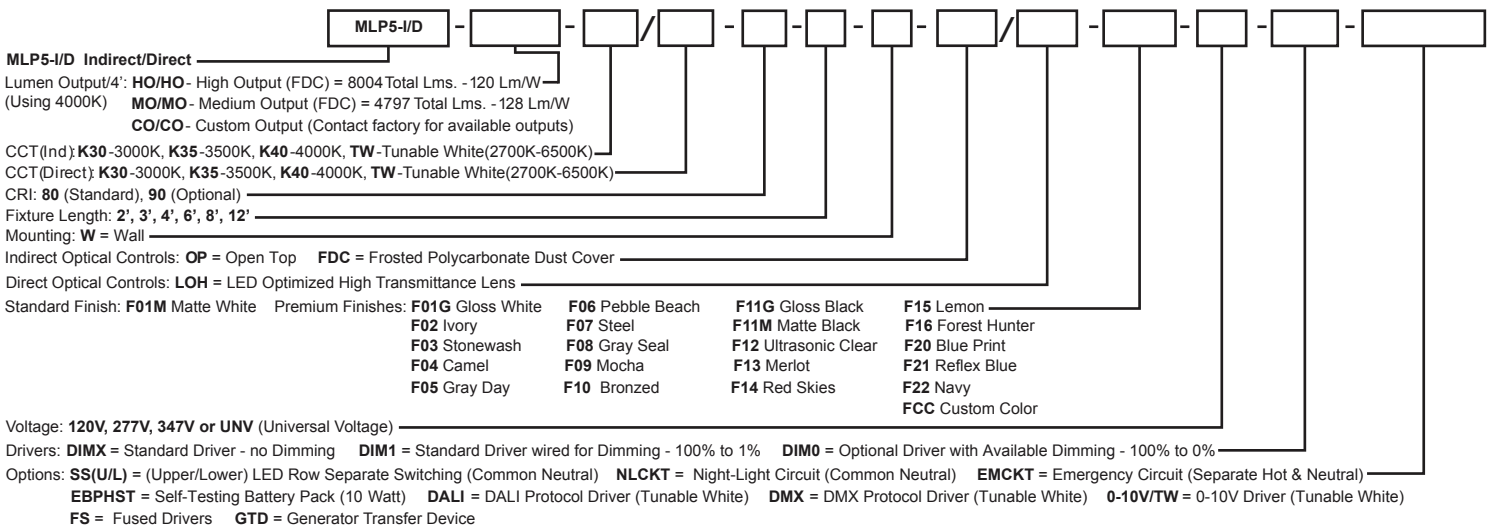
Fixtures are ETL listed for use in 'Dry or Damp Applications.' Conforms to UL Standard #1598 and to CAN/CSA #C22.2No.250.0



MLP5-I/D-MO/MO
MLP5-I/D-HO/HO

*Due to continued advancement in LED technology, lumen performance is subject to change. Please visit our website for the most up-to-date information.

Sample Catalog Number: **MLP5-I/D - HO/HO - K40 / K40 - 80 - 4 - W - FDC / LOH - F01M - 120 - DIM1 - OPTIONS**



Precision Architectural Lighting 4830 Timber Creek Drive Houston, Texas 77017
Tel 713.946.4343 Fax 713.946.4441 www.pal-lighting.com



Made in America

Wall - Indirect/Direct

MLP5-I/D-HO/HO-K40-FDC/LOH

Indirect/Direct - High Output Up & Down

Frosted Dust Cover Up/LED Optimized Lens Down

Catalog Number: MLP5-I/D-HO/HO-K40-80-4'-W-FDC/LOH-120

Report Number: #LLIA000844-015-F01.ies

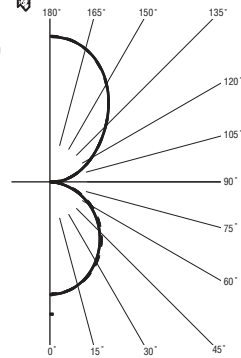
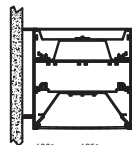
Luminaire Description: Extruded Aluminum Housing with White Alum. Reflectors, Frosted Dust Cover Up, and LED Optimized Lens Down

LED Module: Multiple White Low-Power Light Emitting Diodes (LEDs) in a precise lay-out.

Total Luminaire Efficacy = 120.0 Lm/W

Color Rendering Index (CRI) = 82

54% Up 46% Down



LEGEND:
0-deg
90-deg



LED lighting facts [®]	
A Program of the U.S. DOE	
Light Output (Lumens)	8004
Watts	66.67
Lumens per Watt (Efficacy)	120.05
Color Accuracy Color Rendering Index (CRI)	82
Light Color Correlated Color Temperature (CCT)	3973 (Bright White)
Warm White	Bright White
2700K	3000K
4500K	6500K
<small>All results are according to IESNA LM-79-2008. Approved Method for the Electrical and Photometric Testing of Solid-State Lighting. The U.S. Department of Energy (DOE) verifies product test data and results.</small>	
<small>Visit www.lightingfacts.com for the Label Reference Guide.</small>	
<small>Registration Number: INRP-CDEXX6 (12/29/2017)</small>	
<small>Model Number: MLSS-ID-HO/HO-K40-4-XX-FDC/LOH-XXXX-120</small>	
<small>Type: Luminaire - Linear</small>	

MLP5-I/D-MO/MO-K40-FDC/LOH

Indirect/Direct - Medium Output Up & Down

Frosted Dust Cover Up/LED Optimized Lens Down

Catalog Number: MLP5-I/D-MO/MO-K40-80-4'-W-FDC/LOH-120

Report Number: #LLIA000844-016-F01.ies

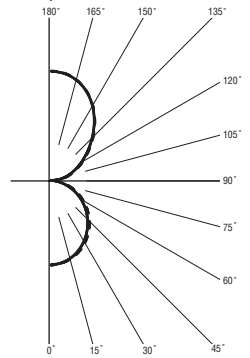
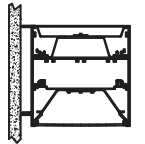
Luminaire Description: Extruded Aluminum Housing with White Alum. Reflectors, Frosted Dust Cover Up, and LED Optimized Lens Down

LED Module: Multiple White Low-Power Light Emitting Diodes (LEDs) in a precise lay-out.

Total Luminaire Efficacy = 127.9 Lm/W

Color Rendering Index (CRI) = 82

53% Up 47% Down



LEGEND:
0-deg
90-deg



LED lighting facts [®]	
A Program of the U.S. DOE	
Light Output (Lumens)	4797
Watts	37.5
Lumens per Watt (Efficacy)	127.92
Color Accuracy Color Rendering Index (CRI)	82
Light Color Correlated Color Temperature (CCT)	3963 (Bright White)
Warm White	Bright White
2700K	3000K
4500K	6500K
<small>All results are according to IESNA LM-79-2008. Approved Method for the Electrical and Photometric Testing of Solid-State Lighting. The U.S. Department of Energy (DOE) verifies product test data and results.</small>	
<small>Visit www.lightingfacts.com for the Label Reference Guide.</small>	
<small>Registration Number: INRP-QSIBEN (1/3/2018)</small>	
<small>Model Number: MLSS-ID-MO/MO-K40-4-XX-FDC/LOH-XXXX-120</small>	
<small>Type: Luminaire - Linear</small>	



Precision Architectural Lighting 4830 Timber Creek Drive Houston, Texas 77017
Tel 713.946.4343 Fax 713.946.4441 www.pal-lighting.com

For more information, visit our website
at www.pal-lighting.com

