

# Microlinea™ Wall Mount Series 5 - Indirect - Asymmetric

(4 7/8" Luminous Aperture)



Catalog Number	Type
Project Name	

## MLP5-IASY

5 11/16" X 3 11/16" Indirect - Asymmetric Wall Mount



### S P E C I F I C A T I O N S

#### Housing

Two-piece construction comprised of .090" thick and .080" thick extruded aluminum. Die-cast aluminum end caps are secured with no visible fasteners. Standard lengths are nominal 2', 3', 4', 6', 8' and 12'. Provisions may be made for continuous rows of any length.

#### Finish

Standard and premium finishes are baked powder coat electrostatically applied (2.0 mil minimum thickness) to assure aesthetics and durability.

#### Indirect Optical Controls

(OP) Open Top - Asymmetric Distribution  
(FDC) Lightly Frosted 100% extruded acrylic snap-in dust cover.

#### Reflector/Heat Sink

.040" thick die-formed aluminum finished with a high reflectance white enamel.

#### Circuitry

All fixtures are factory pre-wired for a single circuit. Provision for multiple switching/circuiting is optional.

#### Wiring

All fixtures intended for continuous rows are provided with factory installed quick-connect wiring.

#### Driver

Osram-Sylvania "Optotronic" power supply is UL/CUL recognized, 0-10V dimming available 120-277 universal voltage. 347V is available.

#### Light Engine

LED light source available for 3000K, 3500K, and 4000K CCT, in high and medium light outputs, and 80 or 90 CRI:

**HO** -High Output - Open Aperture

\*3904 Total Delivered Lumens at 28 System Watts

**HO** -High Output - Frosted Dust Cover

\*3491 Total Delivered Lumens at 28 System Watts

**MO** -Medium Output - Open Aperture

\*2660 Total Delivered Lumens at 19 System Watts

**MO** -Medium Output - Frosted Dust Cover

\*2380 Total Delivered Lumens at 19 System Watts

**CO** -Custom Output (Contact factory for available outputs)

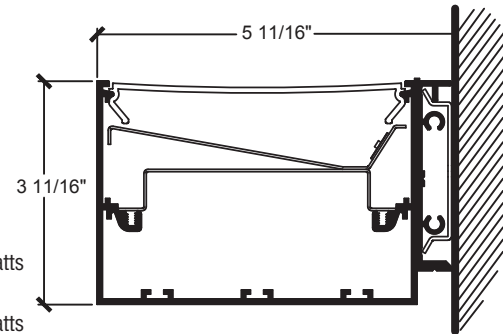
\*Due to continued advancement in LED technology, lumen performance is subject to change. Please visit our website for the most up-to-date information.

#### Integral Controls

Contact factory for daylight and/or occupancy sensor controls.

#### Certification

All fixtures are ETL listed for use in 'Dry or Damp Locations'.



MLP5-IASY-HO-FDC  
MLP5-IASY-MO-FDC  
MLP5-IASY-CO-FDC

Shown with optional Frosted Dust Cover

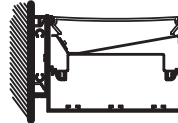
Sample Catalog Number: **MLP5-IASY - HO - K35 - 80 - 4 - W - OP - F01M - 120 - DIM10**

PAL MLP5-IASY Indirect-Asymmetric	MLP5-IASY	-		-		-		-		-		-		-		-		-				
Lumen Output/4':	<b>HO</b> - High Output (Open) = 3904 Total Lms. - 139 Lm/W																					
(Using 3500K)	<b>HO</b> - High Output (FDC) = 3491 Total Lms. - 125 Lm/W																					
	<b>MO</b> - Medium Output (Open) = 2660 Total Lms. - 144 Lm/W																					
	<b>MO</b> - Medium Output (FDC) = 2380 Total Lms. - 129 Lm/W																					
	<b>CO</b> - Custom Outputs (Contact factory for available outputs)																					
CCT: <b>K30</b> - 3000K, <b>K35</b> - 3500K, <b>K40</b> - 4000K																						
CRI: <b>80</b> (Standard), <b>90</b> (Optional)																						
Fixture Length: <b>2'</b> , <b>3'</b> , <b>4'</b> , <b>6'</b> , <b>8'</b> , <b>12'</b>																						
Mounting: <b>W</b> = Wall Mount																						
Indirect Optical Controls: <b>OP</b> = Open Top <b>FDC</b> = Frosted Dust Cover																						
Standard Finish: <b>F01M</b> Matte White	Premium Finishes: <b>F01G</b> Gloss White	<b>F02</b> Ivory	<b>F03</b> Stonewash	<b>F04</b> Camel	<b>F05</b> Gray Day	<b>F06</b> Pebble Beach	<b>F07</b> Steel	<b>F08</b> Gray Seal	<b>F09</b> Mocha	<b>F10</b> Bronzed	<b>F11G</b> Gloss Black	<b>F11M</b> Matte Black	<b>F12</b> Ultrasonic Clear	<b>F13</b> Merlot	<b>F14</b> Red Skies	<b>F15</b> Lemon	<b>F16</b> Forest Hunter	<b>F20</b> Blue Print	<b>F21</b> Reflex Blue	<b>F22</b> Navy	<b>FCC</b> Custom Color	
Voltage: <b>120V</b> , <b>277V</b> , <b>347V</b> or <b>UNV</b> (Universal Voltage)																						
Options: <b>NLCKT</b> = Night-Light Circuit (Common Neutral)	<b>EMCKT</b> = Emergency Circuit (Separate Hot & Neutral)	<b>EBPLST</b> = Self-Test EM Battery Pack (6 Watt)																				
<b>EBPHST</b> = Self-Testing EM Battery Pack (10 Watt)	<b>DIM10</b> = Dimming to 10%	<b>DIM1</b> = Dimming - to 1%	<b>DIM0</b> = Dimming - to 0% (Dark)																			
<b>FS</b> = Fused Drivers <b>DL</b> = Damp Location																						



# Wall

## MLP5-IASY-HO-K35-FDC



### High Output - Indirect Asymmetric

#### Lightly Frosted Dust Cover

**Catalog Number:** MLP5-IASY-HO-K35-80-4'-X-FDC-120

**Report Number:** #LLIA001116-004.ies

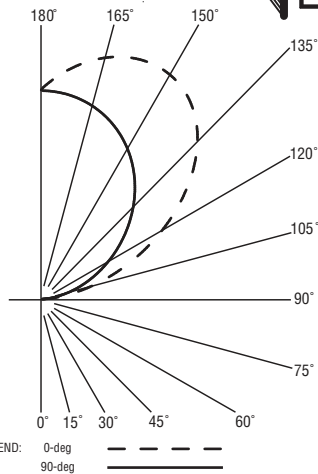
**Luminaire Description:** Extruded Aluminum Housing with White Aluminum Reflector and Lightly Frosted Acrylic Dust Cover.

**LED Module:** Multiple White Low-Power Light Emitting Diodes (LEDs) in a precise layout.

Total Luminaire Efficacy = 125.1 Lm/W

100% Up 0% Down

Color Rendering Index (CRI) = 83



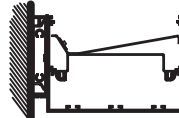
#### ZONAL LUMEN SUMMARY

Zone	Lumens	%Fixture
180- 150	982	28.1
180- 140	1609	46.1
180- 120	2811	80.5
180- 90	3491	100.0
90- 0	0	0.0
180- 0	3491	100.0

#### CANDELA DISTRIBUTION

	0.0	22.5	45.0	67.5	90.0
90	0	0	0	0	0
95	73	72	67	55	42
105	333	326	298	247	188
115	675	658	598	497	376
125	1032	1004	912	762	581
135	1338	1300	1185	1003	784
145	1524	1484	1364	1184	968
155	1575	1541	1438	1288	1111
165	1513	1490	1419	1321	1208
175	1367	1358	1330	1294	1255
180	1266	1266	1266	1266	1266

## MLP5-IASY-HO-K35-OP



### High Output - Indirect Asymmetric

#### Open Aperture

**Catalog Number:** MLP5-IASY-HO-K35-80-4'-X-OP-120

**Report Number:** #LLIA001116-005.ies

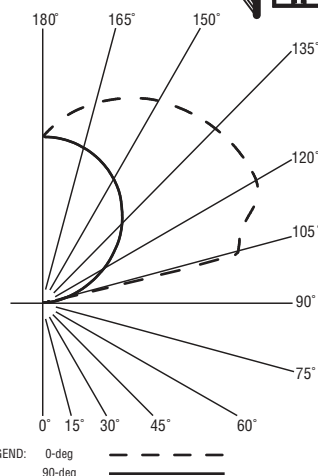
**Luminaire Description:** Extruded Aluminum Housing with White Aluminum Reflector and Open Aperture.

**LED Module:** Multiple White Low-Power Light Emitting Diodes (LEDs) in a precise layout.

Total Luminaire Efficacy = 139.4 Lm/W

100% Up 0% Down

Color Rendering Index (CRI) = 82



#### ZONAL LUMEN SUMMARY

Zone	Lumens	%Fixture
180- 150	857	22.0
180- 140	1410	36.1
180- 120	2690	68.9
180- 90	3904	100.0
90- 0	0	0.0
180- 0	3904	100.0

#### CANDELA DISTRIBUTION

	0.0	22.5	45.0	67.5	90.0
90	0	0	0	0	0
95	19	19	18	95	40
105	1358	1256	1001	687	188
115	1572	1519	1273	846	373
125	1663	1595	1344	982	566
135	1648	1584	1386	1086	743
145	1600	1549	1395	1167	890
155	1518	1481	1366	1201	1000
165	1394	1372	1298	1196	1074
175	1226	1217	1188	1152	1112
180	1120	1120	1120	1120	1120

For more information, visit our website at [www.pal-lighting.com](http://www.pal-lighting.com)



Precision Architectural Lighting 4830 Timber Creek Drive Houston, Texas 77017  
Tel 713.946.4343 Fax 713.946.4441 [www.pal-lighting.com](http://www.pal-lighting.com)



Made in America