

SAFETY AND INSTALLATION INSTRUCTIONS

MICROLINEA SERIES 3 & SERIES 5 WET LOCATION INDIRECT/DIRECT WALL MOUNT

CAUTION:

- * BE CERTAIN THAT POWER TO FIELD WIRING HAS BEEN TURNED OFF PRIOR TO INSTALLATION.
- * THIS PRODUCT MUST BE INSTALLED IN ACCORDANCE WITH THE APPLICABLE INSTALLATION CODE BY A PERSON FAMILIAR WITH THE CONSTRUCTION AND OPERATION OF THE PRODUCT AND THE HAZARDS INVOLVED.
- * IT IS INSTALLER'S RESPONSIBILITY TO ENSURE THAT MOUNTING SURFACE IS STRUCTURALLY CAPABLE OF SUPPORTING WEIGHT OF FIXTURE.
- * BE CERTAIN THAT SUPPLY VOLTAGE IS THE SAME AS THAT MARKED ON FIXTURE.

**CE PRODUIT DOIT ÊTRE
INSTALLÉ SELON LE CODE
D'INSTALLATION PERTINENT,
PAR UNE PERSONNE QUI
CONNAÎT BIEN LE PRODUIT
ET SON FONCTIONNEMENT
AINSI QUE LES RISQUES
INHÉRENTS.**

SINGLE FIXTURE INSTALLATION

STEP 1:

SECURE WALL BRACKETS TO WALL USING MOUNTING CENTERS INDICATED ON FACTORY SHOP DRAWING. (FASTENERS NOT INCLUDED) MAKE SURE BRACKETS ARE PLUMB AND MOUNTED ON SAME CENTER-LINE TO INSURE FIXTURES ARE LEVEL ONCE MOUNTED. (FIG 1)

STEP 2:

PLACE A NEOPRENE BACKED WASHER OVER EACH MOUNTING SET SCREW & RAISE FIXTURE TO BRACKETS UNTIL MOUNTING SET SCREWS PASS THROUGH TOP HOLE IN MOUNTING BRACKETS. SECURE WITH 1/4-20 FLANGE NUTS PROVIDED. (FIG 2)

STEP 3:

ROUTE FEED CABLE TO WATERPROOF JUNCTION BOX (BY OTHERS) AND MAKE CONNECTIONS WITHIN BOX (USING MIN. 90°C RATED CONNECTORS). (FIG 2)

STEP 4:

ENERGIZE FIXTURE AND CHECK FOR PROPER OPERATION.

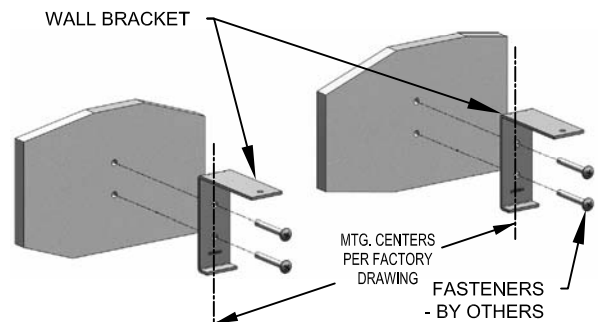
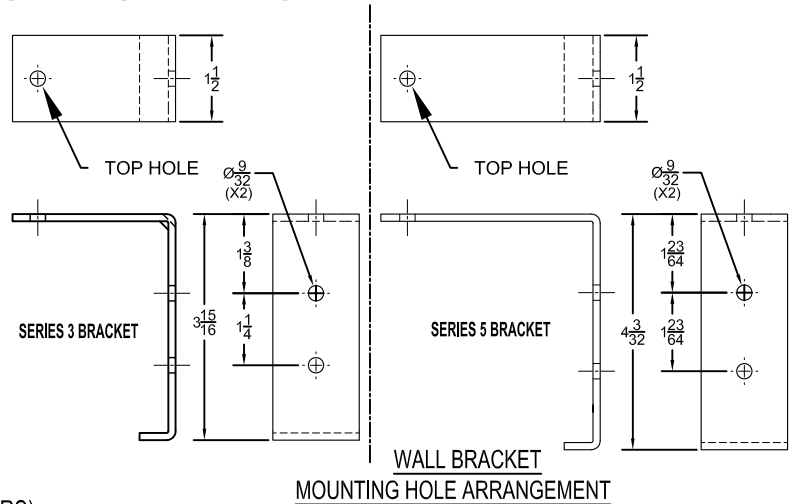


FIG. 1

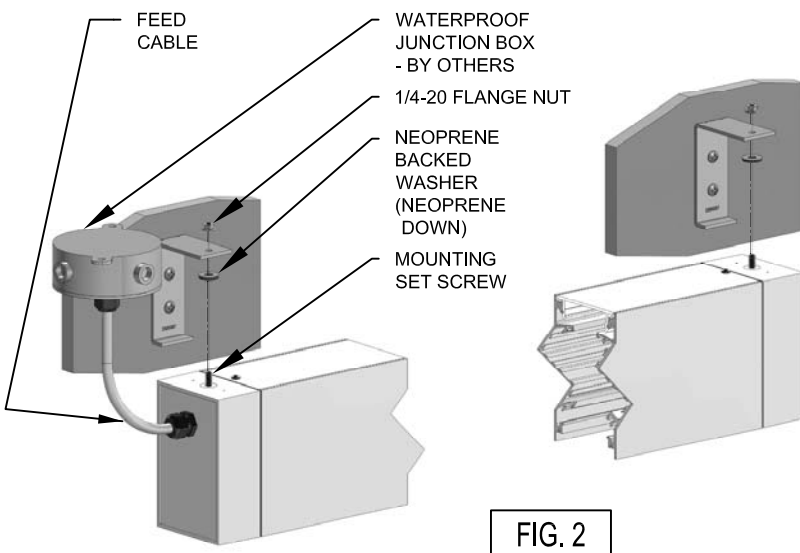
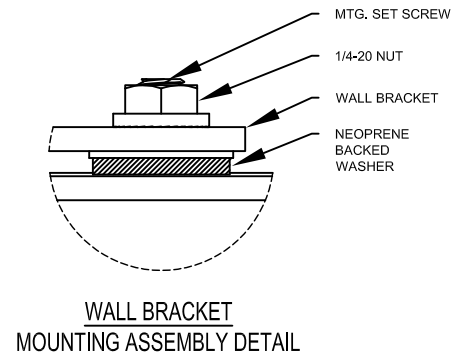


FIG. 2



REFERENCE BACK PAGE FOR CONTINUOUS ROW INSTALLATION



SAFETY AND INSTALLATION INSTRUCTIONS MICROLINEA SERIES 3 & SERIES 5 WET LOCATION INDIRECT/DIRECT STEM MOUNT

ROW INSTALLATION

CAUTION

DO NOT ATTEMPT TO ASSEMBLE FIXTURE ROWS ON GROUND THEN LIFT INTO POSITION. ATTEMPTING TO ASSEMBLE & INSTALL FIXTURES IN THIS MANNER MAY CREATE STRESS AT CONNECTIONS RESULTING IN DAMAGE AND/OR MECHANICAL FAILURE.

STEP 1:

SECURE MOUNTING BRACKETS USING MOUNTING CENTERS INDICATED ON FACTORY SHOP DRAWING. (FASTENERS NOT INCLUDED) MAKE SURE BRACKETS ARE MOUNTED ON A COMMON CENTER-LINE AND ORIENTED THE SAME WAY. (FIG 1 - OPP. PAGE)

NOTE:

AT THIS POINT ALL END CAP COVER PLATES & GASKETS AT FIXTURE JOINTS SHOULD BE TEMPORARILY REMOVED FROM FIXTURES..

STEP 2:

INSTALL CONTINUOUS ROW STEM MOUNTING BRACKET ON RIGHT HAND SIDE OF LEFT-HAND END OF ROW FIXTURE AND ALL INTERMEDIATE FIXTURES IN ROW. (FIG 2)

STEP 3:

INSTALL FIRST FIXTURE FOLLOWING STEPS 2 & 3 ON OPPOSITE PAGE.

STEP 4:

INSTALL STEM ONTO RIGHT HAND SIDE OF SECOND FIXTURE (AS INSTRUCTED IN STEP 2 ON OPPOSITE PAGE) AND INSERT JOINT GASKET INTO THE RECESS OF THE JOINT END OF FIXTURE, ALLOWING WIRE HARNESS TO PASS THROUGH THE WIREWAY HOLE. RAISE SECOND FIXTURE TO A POINT WHERE WIRE HARNESS MAY BE PLUGGED TOGETHER. CONTINUE TO RAISE FIXTURE AND INSTALL ONTO PREVIOUSLY INSTALLED CEILING BRACKET, MAKING SURE TO PUSH EXCESS HARNESS WIRE INTO FIXTURE.

STEP 5:

SECURE SECOND FIXTURE TO CONTINUOUS ROW STEM MOUNTING BRACKET WITH 1/4-20 FLANGE NUT. JOIN FIRST FIXTURE TO SECOND FIXTURE AT JOINT WITH 1/4-20 X 1-1/4" CARRIAGE BOLTS AND NUTS SUPPLIED. BE CERTAIN THERE ARE NO THROUGH WIRES BEING PINCHED AT JOINT. (FIG 2)

STEP 6:

CONTINUE TO MOUNT ANY ADDITIONAL FIXTURES IN ROW AS INSTRUCTED IN STEPS 4 & 5 ABOVE. RIGHT HAND END OF ROW STEM MOUNTS TO STUD ON RIGHT HAND END CAP. SECURE CANOPIES TO CEILING WITH CHECK RINGS.

STEP 7:

ROUTE FEED CABLE TO WATERPROOF JUNCTION BOX AND MAKE CONNECTIONS WITHIN BOX (USING MIN. 90°C RATED CONNECTORS).

STEP 8:

RE-INSTALL ALL END CAP COVERS AND GASKETS MAKING SURE GASKETS ARE PROPERLY SEATED IN THE RECESS OF THE END CAPS. ENERGIZE FIXTURE ROW AND CHECK FOR PROPER OPERATION.

