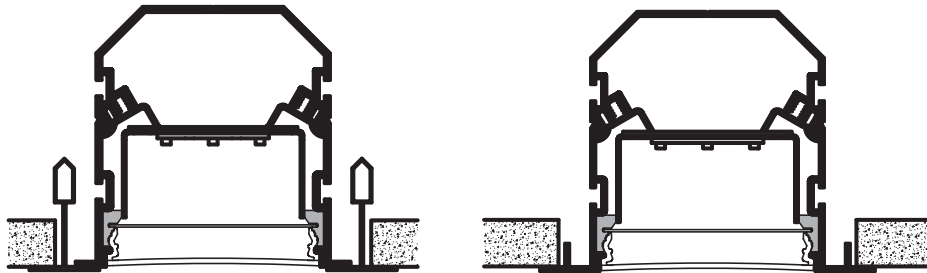


Microlinea™ Recessed Series 3 - Wet Location

(2 7/8" Luminous Aperture)



Grid Ceilings

(Flush Tile, Tegular Tile, Screw Slot)

Drywall Ceilings

(Overlap Flange, Spackle Flange - 1/2" & 5/8")

S P E C I F I C A T I O N S

Housing

Three piece extruded aluminum, mitered and secured together to form a nominal 2' x 2' continuously lit 90° corner.

Optical Controls

(Lenses mitered to provide a continuous transition through the corner.)
(LOH) LED optimized high transmittance extruded acrylic snap-in lens.

Gasketing

Fixture Side Gasket: Extruded silicone rubber - continuously run along both sides of fixture.

Moisture Shield

.030" thick clear polycarbonate
(Required on 90 degree corners and continuous rows only.)

Reflector/Heat Sink

.040" thick die-formed aluminum finished with a high reflectance white enamel.

Wiring

All corner assemblies are provided with factory installed quick-connect wiring.

Driver

LED power supply is UL/CUL recognized, 0-10V dimming available, 120-277 universal voltage. 347V is available.

Light Engine

Available for 3000K, 3500K and 4000K CCT. Standard (approximate) outputs at 80 CRI:

HO - High Output (Values per 4/3500K modules)

*746 Total Delivered Lms./Ft and 7.3 Watts/Ft

MO - Medium Output (Values per 4/3500K modules)

*463 Total Delivered Lms./Ft and 4.5 Watts/Ft

Contact factory for available outputs.

Circuitry

All corner assemblies are factory pre-wired for a single circuit.

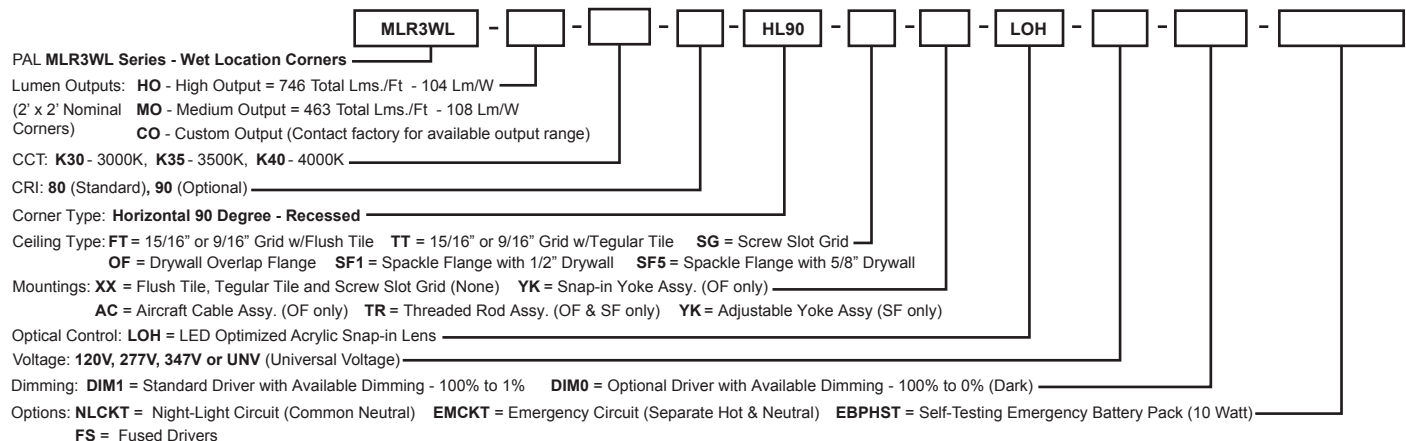
*Due to continued advancement in LED technology, lumen performance is subject to change. Please visit our website for the most up-to-date information.

Certification

Corner assemblies are ETL listed for use in recessed 'Wet Locations.' Ambient operating temperature rated from -30 C° up to 50 C°, and 0° C up to 50° C with battery back-up.

H O W T O O R D E R

Sample Catalog Number: **MLR3WL - HO - K40 - 80 - HL90 - FT - XX - LOH - 120 - DIM1 - OPTIONS**

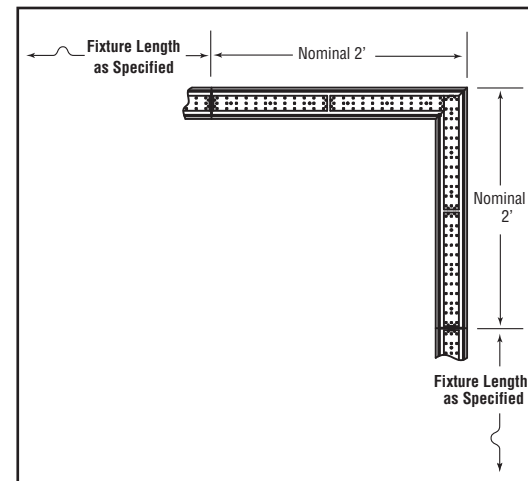


Catalog Number	Type
Project Name	

Lighted Horizontal Corners - (Drywall & Grid Ceilings) - Wet Location



Horizontal extruded aluminum 90° corners are available for use when recessed ceiling mounted patterns are desired. Corners are available in nominal 2' x 2' long continuously lit configurations.



Lighted Horizontal Corner
(High, Medium or Custom Output LED)
Consult Factory for exact luminaire placement.

