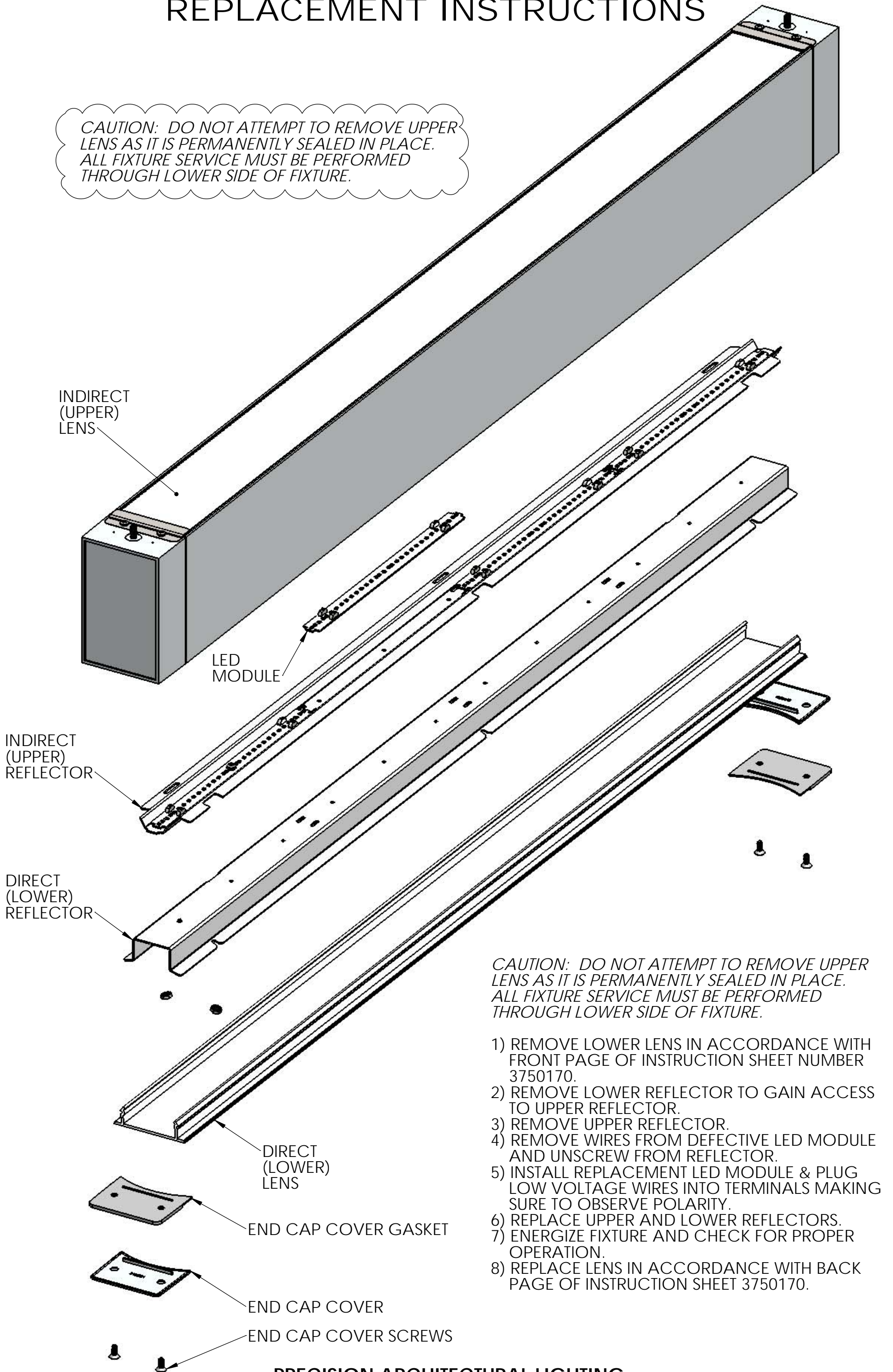


ML3/5 WL INDIRECT LED MODULE REPLACEMENT INSTRUCTIONS

CAUTION: DO NOT ATTEMPT TO REMOVE UPPER LENS AS IT IS PERMANENTLY SEALED IN PLACE. ALL FIXTURE SERVICE MUST BE PERFORMED THROUGH LOWER SIDE OF FIXTURE.



CAUTION: DO NOT ATTEMPT TO REMOVE UPPER LENS AS IT IS PERMANENTLY SEALED IN PLACE. ALL FIXTURE SERVICE MUST BE PERFORMED THROUGH LOWER SIDE OF FIXTURE.

- 1) REMOVE LOWER LENS IN ACCORDANCE WITH FRONT PAGE OF INSTRUCTION SHEET NUMBER 3750170.
- 2) REMOVE LOWER REFLECTOR TO GAIN ACCESS TO UPPER REFLECTOR.
- 3) REMOVE UPPER REFLECTOR.
- 4) REMOVE WIRES FROM DEFECTIVE LED MODULE AND UNSCREW FROM REFLECTOR.
- 5) INSTALL REPLACEMENT LED MODULE & PLUG LOW VOLTAGE WIRES INTO TERMINALS MAKING SURE TO OBSERVE POLARITY.
- 6) REPLACE UPPER AND LOWER REFLECTORS.
- 7) ENERGIZE FIXTURE AND CHECK FOR PROPER OPERATION.
- 8) REPLACE LENS IN ACCORDANCE WITH BACK PAGE OF INSTRUCTION SHEET 3750170.