

SAFETY AND INSTALLATION INSTRUCTIONS MICROLINEA SERIES 3 & SERIES 5 WET LOCATION WALL MOUNT (w/ RECESSED 'J'-BOX)

CAUTION:

- * BE CERTAIN THAT POWER TO FIELD WIRING HAS BEEN TURNED OFF PRIOR TO INSTALLATION.
- * THIS PRODUCT MUST BE INSTALLED IN ACCORDANCE WITH THE APPLICABLE INSTALLATION CODE BY A PERSON FAMILIAR WITH THE CONSTRUCTION AND OPERATION OF THE PRODUCT AND THE HAZARDS INVOLVED.
- * IT IS INSTALLER'S RESPONSIBILITY TO ENSURE THAT MOUNTING SURFACE IS STRUCTURALLY CAPABLE OF SUPPORTING WEIGHT OF FIXTURE.
- * BE CERTAIN THAT SUPPLY VOLTAGE IS THE SAME AS THAT MARKED ON FIXTURES.

CE PRODUIT DOIT ÊTRE INSTALLÉ SELON LE CODE D'INSTALLATION PERTINENT, PAR UNE PERSONNE QUI CONNAÎT BIEN LE PRODUIT ET SON FONCTIONNEMENT AINSI QUE LES RISQUES INHÉRENTS.

SINGLE FIXTURE INSTALLATION

STEP 1 MOUNT A 2"x4" SWITCH BOX CENTERED 3-9/16" INBOARD FROM FEED END OF FIXTURE. SWITCH BOX SHOULD BE MOUNTED IN A HORIZONTAL ORIENTATION. (FIG 1 & 2)

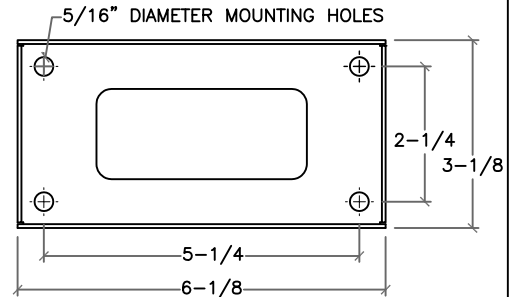
STEP 2 USING WALL BRACKET AS A TEMPLATE, CENTER OVER HORIZONTALLY MOUNTED SWITCH BOX AND MARK 4 MOUNTING HOLES. USE LEVEL TO INSURE WALL BRACKET IS LEVEL. DRILL HOLES APPROPRIATE FOR MOUNTING SURFACE AND FASTENERS TO BE USED. SECURELY ATTACH WALL BRACKET TO WALL - WEEP HOLES TOWARDS BOTTOM.

STEP 3 ATTACH FEED CORD TO POWER SUPPLY WIRES WITHIN J-BOX AND ROUTE CORD THROUGH CENTER OF WALL BRACKET. (FIG 2)

STEP 4 ATTACH ADDITIONAL WALL BRACKETS TO WALL AT LOCATION(S) AS SPECIFIED ON FACTORY SHOP DRAWING. TAKE CARE TO ENSURE THAT WALL BRACKETS ARE LEVEL AND ON SAME CENTER-LINE AS FIRST BRACKET INSTALLED. (FIGS 1 & 2)

STEP 5 REMOVE END CAP COVER PLATE AND GASKET FROM FEED END OF FIXTURE. RAISE FIXTURE TO WALL BRACKETS AND ROUTE FEED CORD THROUGH GROMMETED HOLE IN FIXTURE AND OUT BOTTOM OF FIXTURE END. ATTACH FIXTURE TO WALL BRACKETS ENSURING THAT FIXTURE CLEATS FIT WITHIN THE WALL BRACKETS AND SECURE WITH MOUNTING SCREWS PROVIDED — TOP AND BOTTOM. (FIG 2)

STEP 6 CUT FEED CORD TO LENGTH AS REQUIRED, STRIP CONDUCTORS AND MAKE WIRE CONNECTIONS WITHIN FIXTURE END CAP (USING MIN 90°C RATED CONNECTORS). REPLACE END CAP COVER AND GASKET. ENERGIZE CIRCUIT AND CHECK FIXTURE FOR PROPER OPERATION.



WALL BRACKET MOUNTING HOLE ARRANGEMENT

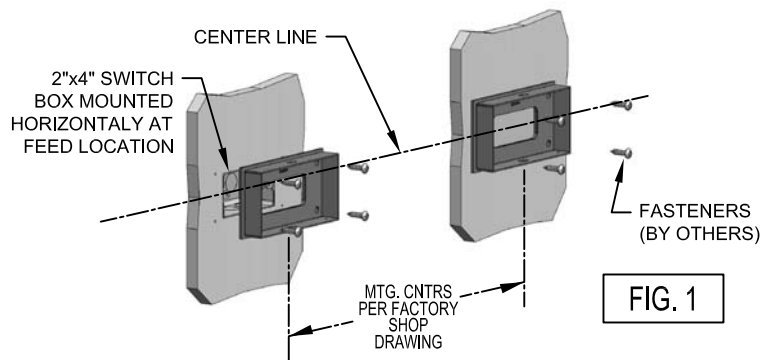


FIG. 1

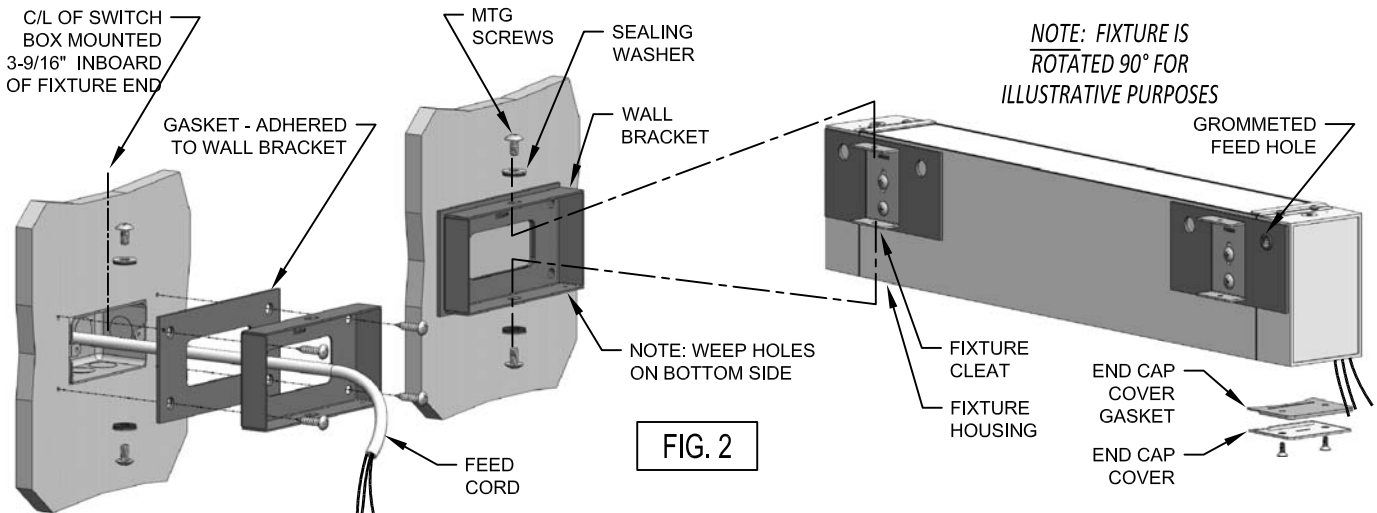


FIG. 2

REFERENCE BACK PAGE FOR CONTINUOUS ROW INSTALLATION



SAFETY AND INSTALLATION INSTRUCTIONS MICROLINEA SERIES 3 & SERIES 5 WET LOCATION WALL MOUNT (w/ RECESSED 'J'-BOX)

CAUTION

DO NOT ATTEMPT TO ASSEMBLE FIXTURE ROWS ON GROUND THEN LIFT INTO POSITION. ATTEMPTING TO ASSEMBLE & INSTALL FIXTURES IN THIS MANNER MAY CREATE STRESS AT CONNECTIONS RESULTING IN DAMAGE AND/OR MECHANICAL FAILURE.

NOTE: ALL FEED AND JOINT END COVER PLATES AND GASKETS SHOULD BE REMOVED FROM FIXTURES AT THIS TIME.

STEP 1: INSTALL FIRST (LEFT HAND END OF ROW) FIXTURE FOLLOWING STEPS 1 THROUGH 5 ON FRONT PAGE. (FIG'S 1, 2 & 3)

STEP 2: INSERT JOINT GASKET INTO THE RECESS OF THE JOINT END OF THE SECOND FIXTURE, ALLOWING WIRE HARNESS TO PASS THROUGH THE WIRE WAY HOLE. RAISE SECOND FIXTURE TO A POINT WHERE WIRE HARNESSES MAY BE PLUGGED TOGETHER. CONTINUE TO RAISE FIXTURE SUCH THAT IT IS ALIGNED WITH FIRST FIXTURE AND FIXTURE CLEAT IS ENGAGED WITHIN WALL BRACKET. MAKE SURE TO PUSH EXCESS WIRE FROM HARNESS INTO FIXTURE WIRE WAY CHAMBER AND ENSURE THAT IT IS NOT PINCHED BETWEEN FIXTURES. MOUNT FIXTURE TO WALL BRACKET WITH MOUNTING SCREWS (TOP AND BOTTOM). (FIG. 4)

DO NOT TIGHTEN MOUNTING SCREWS AT THIS TIME.

STEP 3: JOIN FIRST FIXTURE TO SECOND FIXTURE WITH 1/4-20 CARRIAGE BOLTS AND NUTS SUPPLIED. TIGHTEN FASTENERS SUFFICIENTLY TO SLIGHTLY COMPRESS JOINT GASKET.

STEP 4: CONTINUE TO MOUNT ANY ADDITIONAL FIXTURES IN ROW AS INSTRUCTED IN STEPS 2 & 3 ABOVE. ONCE ALL FIXTURES ARE IN PLACE AND JOINTS ARE SECURE, TIGHTEN MOUNTING SCREWS.

STEP 5: CUT FEED CORD TO LENGTH AS REQUIRED, STRIP CONDUCTORS AND MAKE WIRE CONNECTIONS WITHIN FIXTURE END CAP (USE MIN 90C RATED CONNECTORS). REPLACE ALL END CAP COVERS AND GASKETS. ENERGIZE CIRCUIT AND CHECK FIXTURE FOR PROPER OPERATION.

ROW INSTALLATION

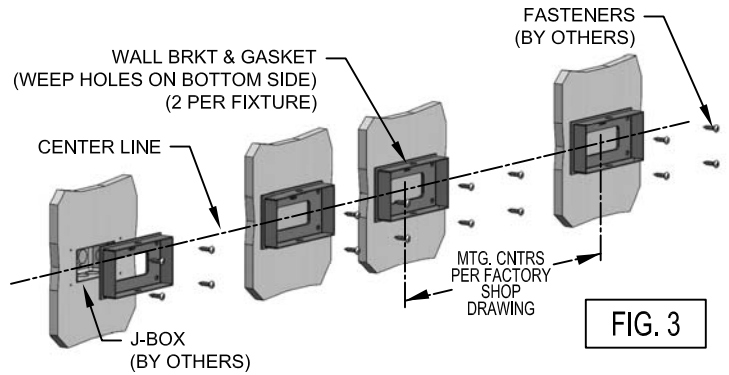


FIG. 3

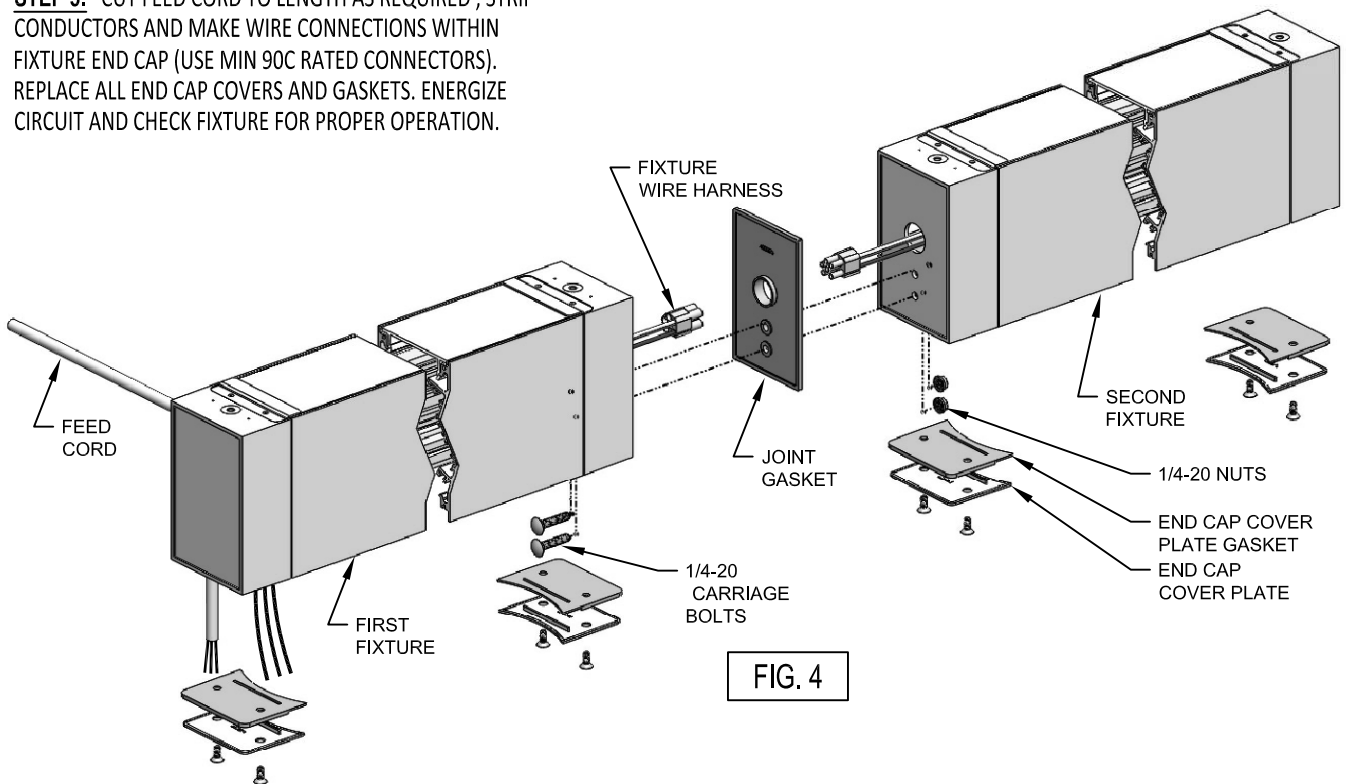


FIG. 4

