

SAFETY AND INSTALLATION INSTRUCTIONS MICROLINEA SERIES 3 & SERIES 5 WET LOCATION DIRECT SURFACE/CEILING MOUNT

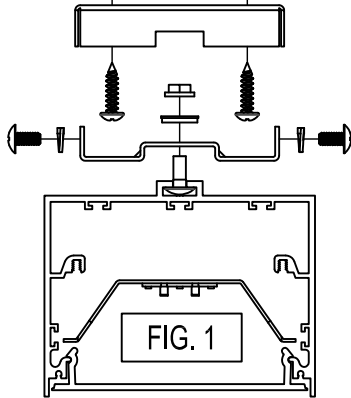
CAUTION:

- * BE CERTAIN THAT POWER TO FIELD WIRING HAS BEEN TURNED OFF PRIOR TO INSTALLATION.
- * THIS PRODUCT MUST BE INSTALLED IN ACCORDANCE WITH THE APPLICABLE INSTALLATION CODE BY A PERSON FAMILIAR WITH THE CONSTRUCTION AND OPERATION OF THE PRODUCT AND THE HAZARDS INVOLVED.
- * IT IS INSTALLER'S RESPONSIBILITY TO ENSURE THAT MOUNTING SURFACE IS STRUCTURALLY CAPABLE OF SUPPORTING WEIGHT OF FIXTURE.
- * BE CERTAIN THAT SUPPLY VOLTAGE IS THE SAME AS THAT MARKED ON FIXTURES.

**CE PRODUIT DOIT ÊTRE
INSTALLÉ SELON LE CODE
D'INSTALLATION PERTINENT,
PAR UNE PERSONNE QUI
CONNAÎT BIEN LE PRODUIT
ET SON FONCTIONNEMENT
AINSI QUE LES RISQUES
INHÉRENTS.**



SINGLE FIXTURE INSTALLATION



STEP 1

SECURE UPPER MOUNTING BRACKETS TO CEILING USING MOUNTING CENTERS INDICATED ON FACTORY SHOP DRAWING. (FASTENERS NOT INCLUDED) MAKE SURE BRACKETS ARE MOUNTED ON A COMMON CENTER-LINE TO ALLOW FOR PROPER INSTALLATION OF FIXTURE. (FIG'S 1 & 2)

STEP 2

SECURE LOWER BRACKETS TO FIXTURE ON THE SAME CENTERS AS UPPER BRACKETS USING 1/4-20 NUTS AND NEOPRENE BACKED WASHERS PROVIDED. (FIG 2)

NOTE:

MOUNTING CENTERS MAY BE ADJUSTED FROM THOSE INDICATED ON THE SHOP DRAWING TO SUIT FIELD CONDITIONS. SIMPLY LOOSEN THE 1/4-20 NUT SECURING THE LOWER BRACKET AND SLIDE THE ASSEMBLY TO THE DESIRED LOCATION AND RE-TIGHTEN NUT.

STEP 3

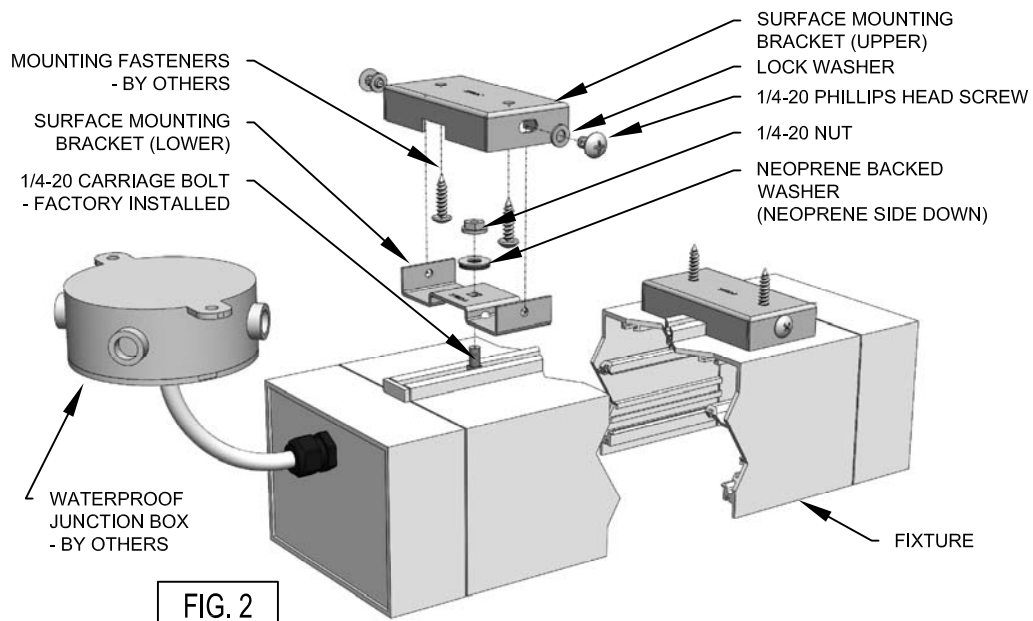
RAISE FIXTURE UNTIL LOWER BRACKETS ARE FULLY ENGAGED IN THE UPPER MOUNTING BRACKET. SECURE FIXTURE ASSEMBLY TO UPPER MOUNTING BRACKET WITH 1/4-20-PHILLIPS HEAD SCREWS PROVIDED. (FIG 2)

STEP 4

ROUTE FEED CABLE TO WATERPROOF JUNCTION BOX (BY OTHERS) AND MAKE WIRE CONNECTIONS WITHIN BOX (USING MIN. 90°C RATED CONNECTORS). (FIG 2)

STEP 5

ENERGIZE FIXTURE AND CHECK FOR PROPER OPERATION.



REFERENCE BACK PAGE FOR CONTINUOUS ROW INSTALLATION



Precision Architectural Lighting

Tel (713) 946-4343 Fax (713) 946-4441 www.palighting.com

4830 Timber Creek Drive Houston, Texas 77017

PAL RESERVES THE RIGHT TO CHANGE PRODUCT DESIGN AND SPECIFICATIONS. CONTACT FACTORY FOR MOST RECENT PRODUCT INFORMATION.

SAFETY AND INSTALLATION INSTRUCTIONS MICROLINEA SERIES 3 & SERIES 5 WET LOCATION DIRECT SURFACE/CEILING MOUNT

ROW INSTALLATION

CAUTION

DO NOT ATTEMPT TO ASSEMBLE FIXTURE ROWS ON GROUND THEN LIFT INTO POSITION. ATTEMPTING TO ASSEMBLE & INSTALL FIXTURES IN THIS MANNER MAY CREATE STRESS AT CONNECTIONS RESULTING IN DAMAGE AND/OR MECHANICAL FAILURE.

STEP 1:

SECURE UPPER MOUNTING BRACKETS USING MOUNTING CENTERS INDICATED ON FACTORY SHOP DRAWING. (FASTENERS NOT INCLUDED) MAKE SURE BRACKETS ARE MOUNTED ON A COMMON CENTER-LINE AS ILLUSTRATED. (FIG 3)

NOTE:

MOUNTING CENTERS MAY BE ADJUSTED FROM THOSE INDICATED ON SHOP DRAWING TO SUIT FIELD CONDITIONS. SIMPLY LOOSEN THE 1/4-20 NUT SECURING THE LOWER BRACKET AND SLIDE THE ASSEMBLY TO THE DESIRED LOCATION AND RE-TIGHTEN NUT.

NOTE:

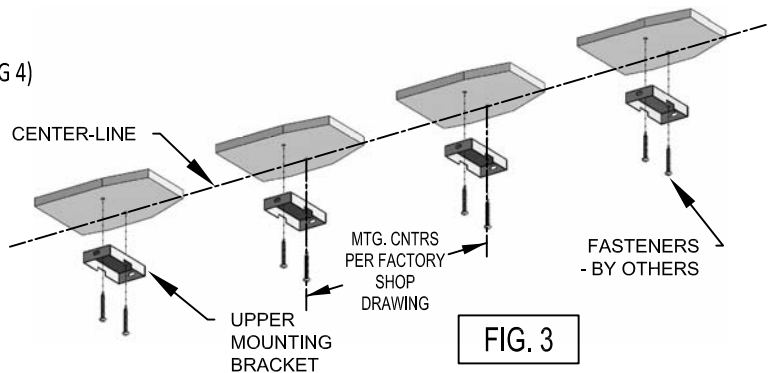
AT THIS POINT ALL END CAP COVER PLATES & GASKETS AT FIXTURE JOINTS SHOULD BE TEMPORARILY REMOVED FROM FIXTURES.

STEP 2

INSTALL FIRST FIXTURE FOLLOWING STEPS 2 & 3 ON OPPOSITE PAGE. (FIG 4)

STEP 3

INSERT JOINT GASKET INTO THE RECESS OF THE JOINT END OF THE SECOND FIXTURE, ALLOWING WIRE HARNESS TO PASS THROUGH WIREWAY HOLE. RAISE SECOND FIXTURE TO A POINT WHERE WIRE HARNESS MAY BE PLUGGED TOGETHER. CONTINUE TO RAISE FIXTURE SO THAT IT IS ALIGNED WITH FIRST FIXTURE MAKING SURE TO PUSH EXCESS HARNESS WIRE INTO FIXTURE. SECURE SECOND FIXTURE TO PREVIOUSLY INSTALLED UPPER MOUNTING BRACKETS WITH 1/4-20 PHILLIPS HEAD SCREWS PROVIDED. (FIG 4)



STEP 4

JOIN FIRST FIXTURE TO SECOND FIXTURE AT JOINT WITH 1/4-20 CARRIAGE BOLTS AND NUTS SUPPLIED. BE CERTAIN THERE ARE NO THROUGH WIRES BEING PINCHED AT JOINT. (FIG 4)

STEP 5

CONTINUE TO MOUNT ANY ADDITIONAL FIXTURES IN ROW AS INSTRUCTED IN STEPS 3 & 4 ABOVE.

STEP 6

ROUTE FEED CABLE TO WATERPROOF JUNCTION BOX AND MAKE WIRE CONNECTIONS WITHIN BOX (USING MIN. 90°C RATED CONNECTORS).

STEP 7

RE-INSTALL ALL END CAP COVERS AND GASKETS MAKING SURE GASKET IS PROPERLY SEATED IN THE RECESS OF THE END CAP. ENERGIZE FIXTURE ROW AND CHECK FOR PROPER OPERATION.

