

SAFETY AND INSTALLATION INSTRUCTIONS MICROLINEA SERIES 3 AND SERIES 5 WET LOCATION DIRECT WALL MOUNT

CAUTION:

- * BE CERTAIN THAT POWER TO FIELD WIRING HAS BEEN TURNED OFF PRIOR TO INSTALLATION.
- * THIS PRODUCT MUST BE INSTALLED IN ACCORDANCE WITH THE APPLICABLE INSTALLATION CODE BY A PERSON FAMILIAR WITH THE CONSTRUCTION AND OPERATION OF THE PRODUCT AND THE HAZARDS INVOLVED.
- * IT IS INSTALLER'S RESPONSIBILITY TO ENSURE THAT MOUNTING SURFACE IS STRUCTURALLY CAPABLE OF SUPPORTING WEIGHT OF FIXTURE.
- * BE CERTAIN THAT SUPPLY VOLTAGE IS THE SAME AS THAT MARKED ON FIXTURES.

**CE PRODUIT DOIT ÊTRE
INSTALLÉ SELON LE CODE
D'INSTALLATION PERTINENT,
PAR UNE PERSONNE QUI
CONNAÎT BIEN LE PRODUIT
ET SON FONCTIONNEMENT
AINSI QUE LES RISQUES
INHÉRENTS.**

SINGLE FIXTURE INSTALLATION

STEP 1:

SECURE WALL BRACKETS TO WALL USING MOUNTING CENTERS INDICATED ON FACTORY SHOP DRAWING. (FASTENERS NOT INCLUDED) MAKE SURE BRACKETS ARE PLUMB AND MOUNTED ON SAME CENTER-LINE TO INSURE FIXTURES ARE LEVEL ONCE MOUNTED. (FIG 1) NOTE:

MOUNTING CENTERS MAY BE ADJUSTED FROM THOSE INDICATED ON SHOP DRAWING TO SUIT FIELD CONDITIONS. SIMPLY SLIDE CARRIAGE BOLT WITHIN THE TRACK ON TOP OF THE FIXTURE TO DESIRED LOCATION.

STEP 2:

RAISE FIXTURE TO BRACKETS UNTIL CARRIAGE BOLT PASSES THROUGH TOP HOLE IN MOUNTING BRACKET AND SECURE WITH 1/4-20 NUTS AND NEOPRENE BACKED WASHERS PROVIDED. (FIG 2)

STEP 3:

ROUTE FEED CABLE TO WATERPROOF JUNCTION BOX (BY OTHERS) AND MAKE CONNECTIONS WITHIN BOX (USING MIN. 90°C RATED CONNECTORS). (FIG 2)

STEP 4:

ENERGIZE FIXTURE AND CHECK FOR PROPER OPERATION.

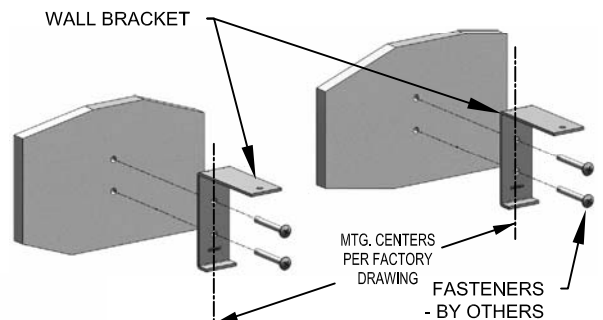
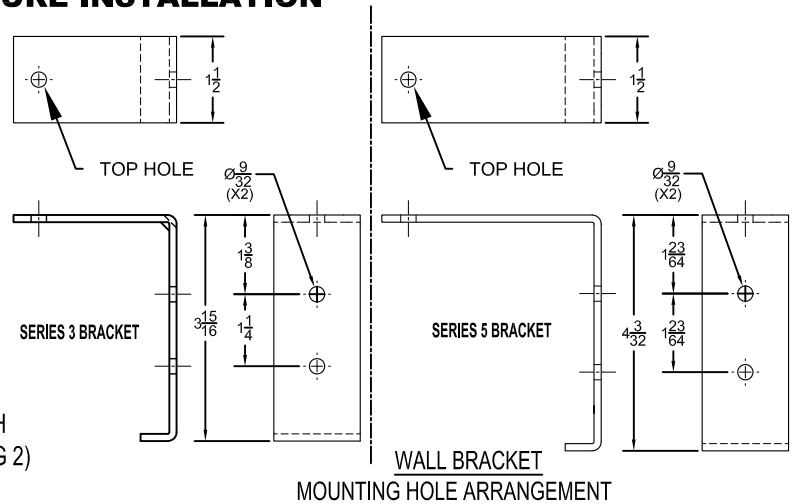


FIG. 1

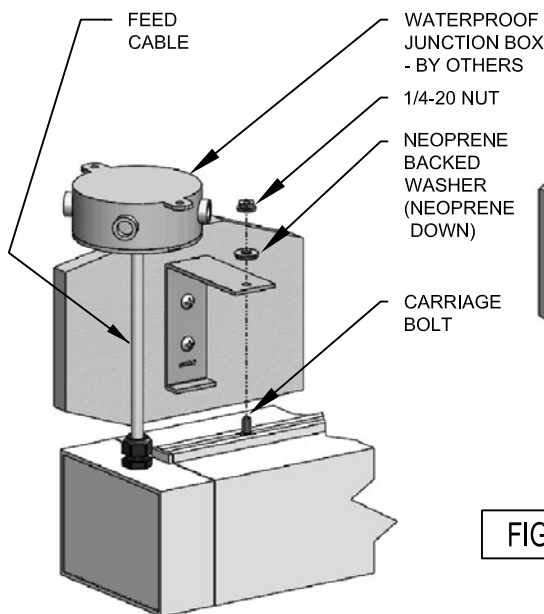
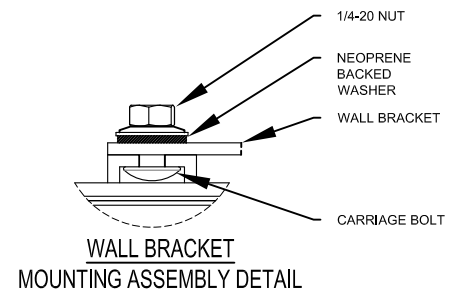


FIG. 2



REFERENCE BACK PAGE FOR CONTINUOUS ROW INSTALLATION



SAFETY AND INSTALLATION INSTRUCTIONS MICROLINEA SERIES 3 AND SERIES 5 WET LOCATION DIRECT WALL MOUNT

ROW INSTALLATION

CAUTION

DO NOT ATTEMPT TO ASSEMBLE FIXTURE ROWS ON GROUND THEN LIFT INTO POSITION. ATTEMPTING TO ASSEMBLE & INSTALL FIXTURES IN THIS MANNER MAY CREATE STRESS AT CONNECTIONS RESULTING IN DAMAGE AND/OR MECHANICAL FAILURE.

STEP 1:

SECURE WALL BRACKETS TO WALL ON MOUNTING CENTERS INDICATED USING FACTORY SHOP DRAWING. (FASTENERS NOT INCLUDED) MAKE SURE BRACKETS ARE PLUMB AND MOUNTED ON SAME CENTER-LINE TO ENSURE FIXTURES ARE LEVEL ONCE MOUNTED. (FIG 3)

NOTE:

MOUNTING CENTERS MAY BE ADJUSTED FROM THOSE INDICATED ON THE SHOP DRAWING TO SUIT FIELD CONDITIONS. SIMPLY SLIDE CARRIAGE BOLT WITHIN THE TRACK ON TOP OF FIXTURE TO DESIRED LOCATION.

NOTE:

AT THIS POINT ALL END CAP COVER PLATES AND GASKETS AT FIXTURE JOINTS SHOULD BE TEMPORARILY REMOVED FROM FIXTURES.

STEP 2:

INSTALL FIRST FIXTURE FOLLOWING STEPS 2 & 3 ON OPPOSITE PAGE.

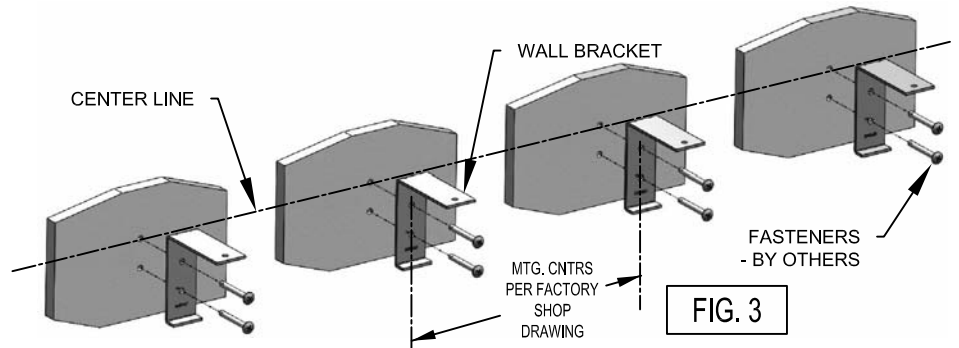


FIG. 3

STEP 3

INSERT JOINT GASKET INTO THE RECESS OF THE JOINT END OF SECOND FIXTURE, ALLOWING WIRE HARNESS TO PASS THROUGH THE WIREWAY HOLE. RAISE SECOND FIXTURE TO A POINT WHERE WIRE HARNESSES MAY BE PLUGGED TOGETHER. CONTINUE TO RAISE FIXTURE SO THAT IT IS ALIGNED WITH THE FIRST FIXTURE MAKING SURE TO PUSH EXCESS HARNESS WIRE INTO FIXTURE. SECURE SECOND FIXTURE TO PREVIOUSLY INSTALLED WALL BRACKETS WITH 1/4-20 NUTS AND NEOPRENE BACKED WASHERS SUPPLIED. (FIG 4)

STEP 4

JOIN FIRST FIXTURE TO SECOND FIXTURE AT JOINT WITH 1/4-20 CARRIAGE BOLTS AND NUTS SUPPLIED. BE CERTAIN THERE ARE NO THROUGH WIRES BEING PINCHED AT JOINT. (FIG 4)

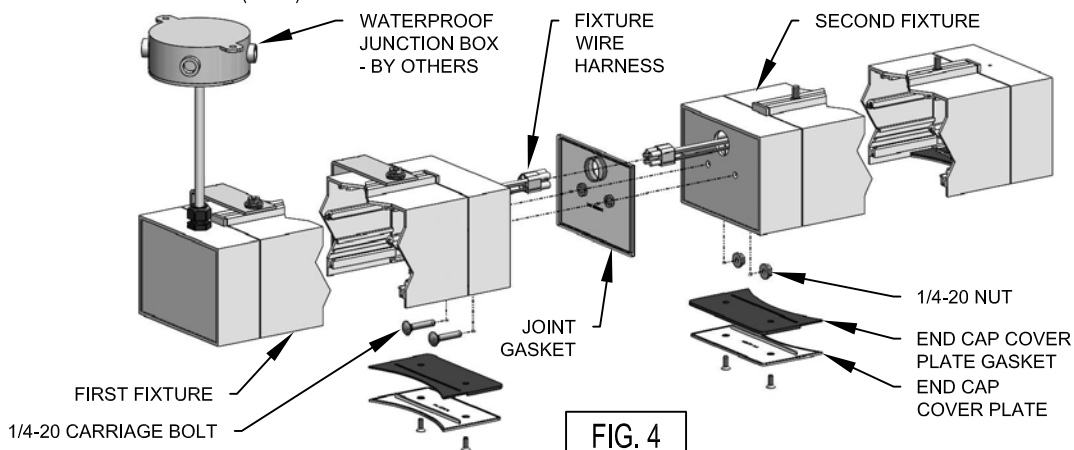


FIG. 4

STEP 5

CONTINUE TO MOUNT ANY ADDITIONAL FIXTURES IN ROW AS INSTRUCTED IN STEPS 3 & 4 ABOVE.

STEP 6

RE-INSTALL ALL END CAP COVER PLATES AND GASKETS MAKING SURE GASKET IS PROPERLY SEATED IN THE RECESS OF THE CAP. ENERGIZE FIXTURE ROW AND CHECK FOR PROPER OPERATION.

