

# Microlinea™ Recessed Series 3 & 5 - Fluorescent

(2 7/8" and 4 7/8" Luminous Apertures)

Catalog Number	Type
Project Name	



## Lighted Horizontal Corners - (Drywall and Grid Ceilings)

(T5, T5HO or T8 Lamps)

Horizontal extruded aluminum 90° corners are available for use when ceiling mounted patterns are desired. Series 3 corners are available for 1 or 2 lamp T5 & T5HO, or for 1 lamp T8. Series 5 corners are available for 1 or 2 lamp T5, T5HO and T8.

See reverse for dimensions.

### S P E C I F I C A T I O N S

#### Housing

Three piece extruded aluminum, mitered and secured together to form a nominal 2' x 2' continuously lit 90° corner.

#### Optical Controls

(Lenses mitered to provide a continuous transition through the corner.)

- (LP) Flush clear extruded DR acrylic linear prismatic lens
- (TWA) Flush translucent white extruded DR acrylic lens
- (FC) Flush frosted clear extruded DR acrylic lens
- (RTWA) Regressed translucent white DR acrylic lens. (N/A for MLR5)

#### Staggered Lamping

Staggered lamping is standard.

#### Reflectors

Die-formed from .020" thick aluminum and finished with a high reflectance white enamel.

#### Ballasts

- Standard ballasts for T5 and T5HO lamps are UL/CUL listed, Class P, HPF, electronic, universal 120/277volt, programmed rapid start with <10% THD.
- Standard ballasts for T8 lamps are UL/CUL listed, Class P, HPF, electronic, universal 120/277volt, instant start with <10% THD.

#### Circuitry

All corner assemblies are factory pre-wired for a single circuit.

#### Wiring

All corner assemblies are provided with factory installed quick-connect wiring.

#### Certification

All corner assemblies are UL/CUL listed for use in 'Dry Applications'. 'Damp Location' is optional.

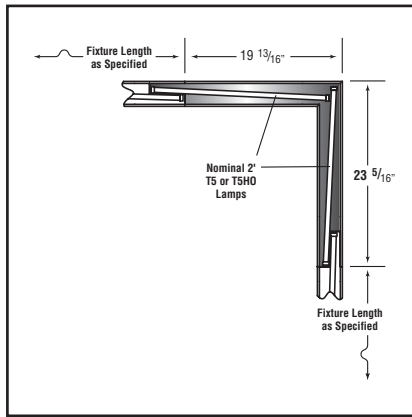
### H O W T O O R D E R

<p><b>Corner Type</b> HL90 = 90° L (Horizontal)</p>	<p><b>Mountings</b> YK = Adjustable Yoke - SF1 and SF5 only YK = Snap-in Yoke - OF only TR = OF and SF only AC = OF only XX = FT, TT and SG (No mounting hardware required)</p>				
<p><b>Series</b> MLR3 MLR5</p>					
<b>MLR3-2-HL90-OF-YK-TWA-120-T5-[ ]</b>					
<p><b># of Lamps in Cross-Section</b> 1 2</p>	<p><b>Ceiling Type</b> FT = 15/16" or 9/16" Grid with Flush Tile TT = 15/16" or 9/16" Grid with Tegular Tile SG = Screw Slot Grid OF = Drywall Overlap Flange SF1 = Spackle Flange w 1/2" Drywall SF5 = Spackle Flange w 5/8" Drywall</p>	<p><b>Optical Controls</b> LP Linear Prismatic Lens TWA Translucent White Acrylic Lens FC Frosted Clear Lens RTWA Regressed Translucent White Acrylic Lens (N/A for MLR5)</p>	<p><b>Voltage</b> 120 277 347</p>	<p><b>Lamp Type</b> T5 T5HO T8* *MLR3 available in 1 LP T8 only</p>	<p><b>Options</b> SS(L/R)(Left/Right) Lamp Row Switching (Common Neutral) (2 Lp Cross Section Only) DL Damp Location RS Rapid Start Ballast (T8) Dim Dimming FS Fused Ballasts CP Chicago Plenum</p>

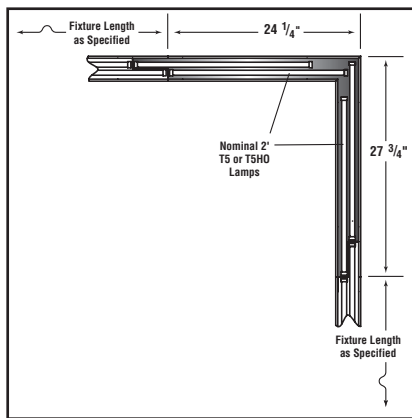


# Microlinea Recessed Series 3

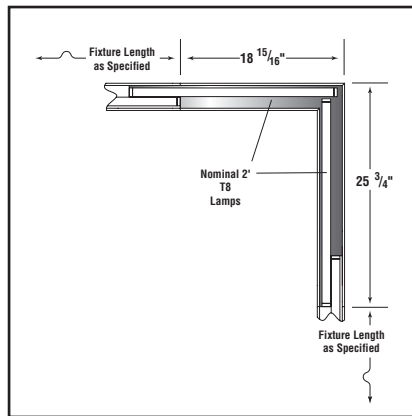
Lighted Horiz. Corners - T5, T5HO & T8 Lps



One lamp lighted Horizontal Corner (T5 or T5HO Lamps)



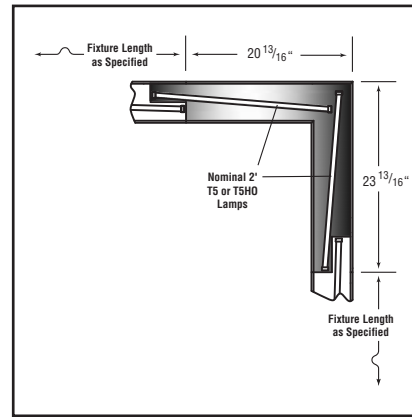
Two lamp lighted Horizontal Corner (T5 or T5HO Lamps)



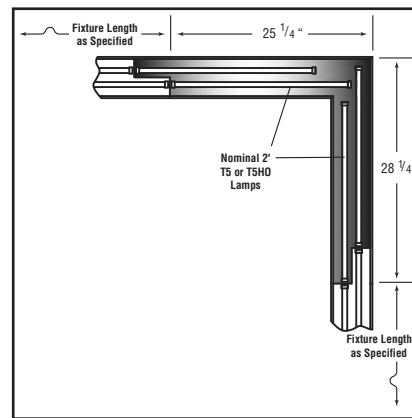
One lamp lighted Horizontal Corner (T8 Lamps)

# Microlinea Recessed Series 5

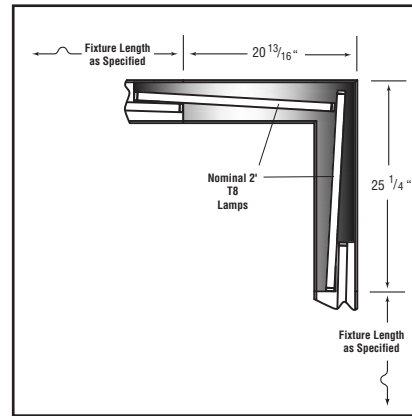
Lighted Horiz. Corners - T5, T5HO & T8 Lps



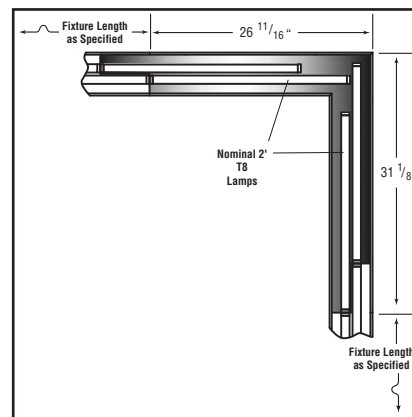
One lamp lighted Horizontal Corner (T5 or T5HO Lamps)



Two lamp lighted Horizontal Corner (T5 or T5HO Lamps)



One lamp lighted Horizontal Corner (T8 Lamps)



Two lamp lighted Horizontal Corner (T8 Lamps)

Consult Factory for exact luminaire placement.

