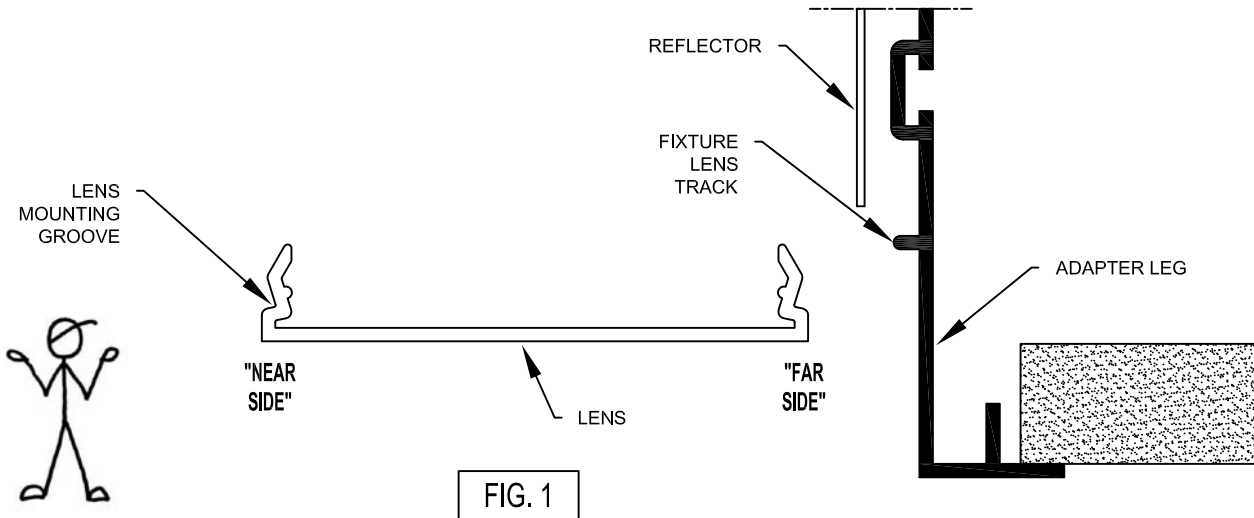


# MICROLINEA SERIES 2, 3 & 5 - REGRESS LENS REMOVAL AND INSTALLATION INSTRUCTIONS

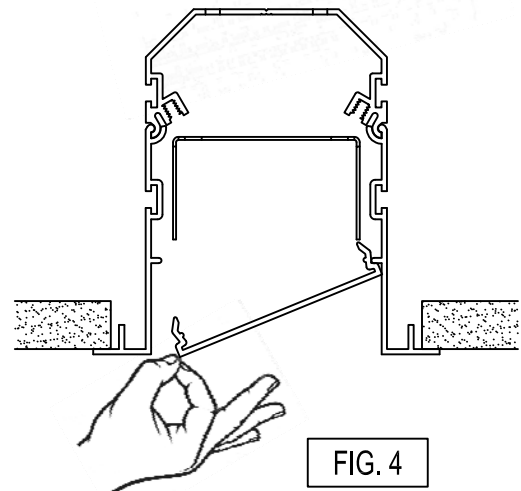
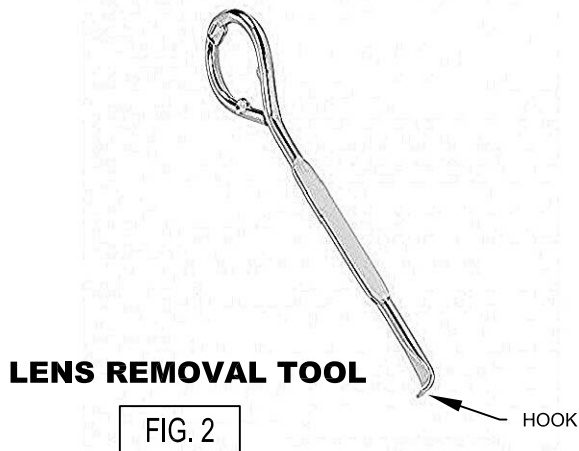
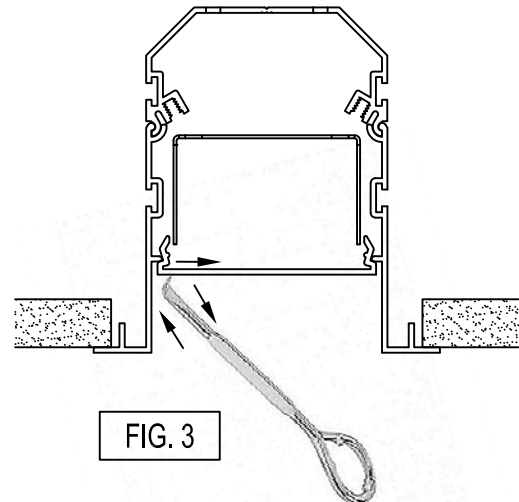
## LENS REMOVAL



**NOTE:**  
FOR BEST RESULTS READ ALL LENS INSTRUCTIONS FIRST BEFORE INSTALLING OR REMOVING ANY LENS.

**STEP 1:**  
USE LENS REMOVAL TOOL PROVIDED (FIG 2) AND START PULLING LENS OUT OF FIXTURE BEGINNING AT LENS CORNER (FIG 3).

**STEP 2:**  
THEN GRIP LENS WITH FINGERS (FIG 4) AND PULL LENS AWAY FROM FIXTURE. USE CARE NOT TO DAMAGE LENS.



REFERENCE BACK PAGE FOR LENS INSTALLATION



Precision Architectural Lighting

Tel (713) 946-4343 Fax (713) 946-4441 www.palighting.com

4830 Timber Creek Drive Houston, Texas 77017

PAL RESERVES THE RIGHT TO CHANGE PRODUCT DESIGN AND SPECIFICATIONS. CONTACT FACTORY FOR MOST RECENT PRODUCT INFORMATION.

3750202-1 10/19

# MICROLINEA SERIES 2, 3 & 5 - REGRESS LENS REMOVAL AND INSTALLATION INSTRUCTIONS

## LENS INSTALLATION

### **NOTE:**

FOR BEST RESULTS READ ALL LENS INSTRUCTIONS FIRST BEFORE INSTALLING OR REMOVING ANY LENS.

### **STEP 1:**

HOLD THE LENS WITH EVEN HAND SPACING TO MINIMIZE LENS BENDING, SAGGING & FLEXING. TWO PEOPLE MAY BE NEEDED FOR AN 8' LENS. POSITION THE LENS AGAINST THE FAR SIDE FIXTURE LENS TRACK AS SHOWN (FIG 5). CENTER THE LENS IN THE FIXTURE OPENING. MAKE SURE THAT THE FAR SIDE LENS MOUNTING GROOVE IS FULLY ENGAGED WITH THE FIXTURE LENS TRACK ALONG THE WHOLE LENGTH OF THE LENS.

### **STEP 2:**

ROTATE THE LENS UP AND PRESS ON THE LENS AS SHOWN (FIG 6). START TO ENGAGE THE NEAR SIDE OF LENS MOUNTING GROOVE WITH THE FIXTURE LENS TRACK. START AT ONE CORNER OF THE LENS SECTION AND SLOWLY PRESS THE LENS UP MOVING TOWARD THE OTHER END. USE CAUTION NOT TO PRESS THE LENS TOO FAR INTO THE FIXTURE. CONTINUE TO ENGAGE LENS ALONG ITS LENGTH UNTIL IT FULLY SNAPS INTO PLACE.

### **STEP 3:**

DOUBLE CHECK THAT LENS IS SEATED PROPERLY AND IS FULLY ENGAGED ALONG FULL LENGTH OF FIXTURE.

### **NOTE:**

IF THE LENS IS PUSHED TOO FAR INTO THE FIXTURE DURING INSTALLATION IT IS POSSIBLE TO GENTLY PRY IT BACK INTO THE CORRECT POSITION USING THE LENS REMOVAL TOOL PROVIDED.

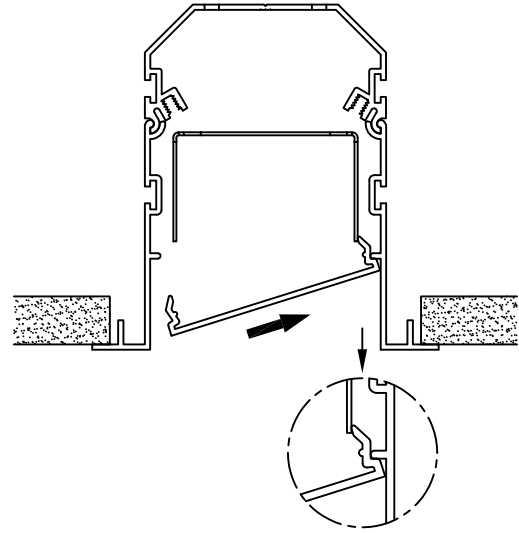


FIG. 5

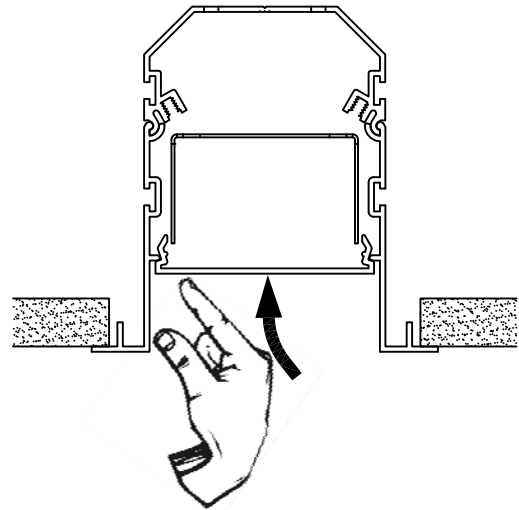


FIG. 6

REFERENCE FRONT PAGE FOR LENS REMOVAL



Precision Architectural Lighting

Tel (713) 946-4343 Fax (713) 946-4441 www.palighting.com

4830 Timber Creek Drive Houston, Texas 77017

PAL RESERVES THE RIGHT TO CHANGE PRODUCT DESIGN AND SPECIFICATIONS. CONTACT FACTORY FOR MOST RECENT PRODUCT INFORMATION.

3750202-2 10/19