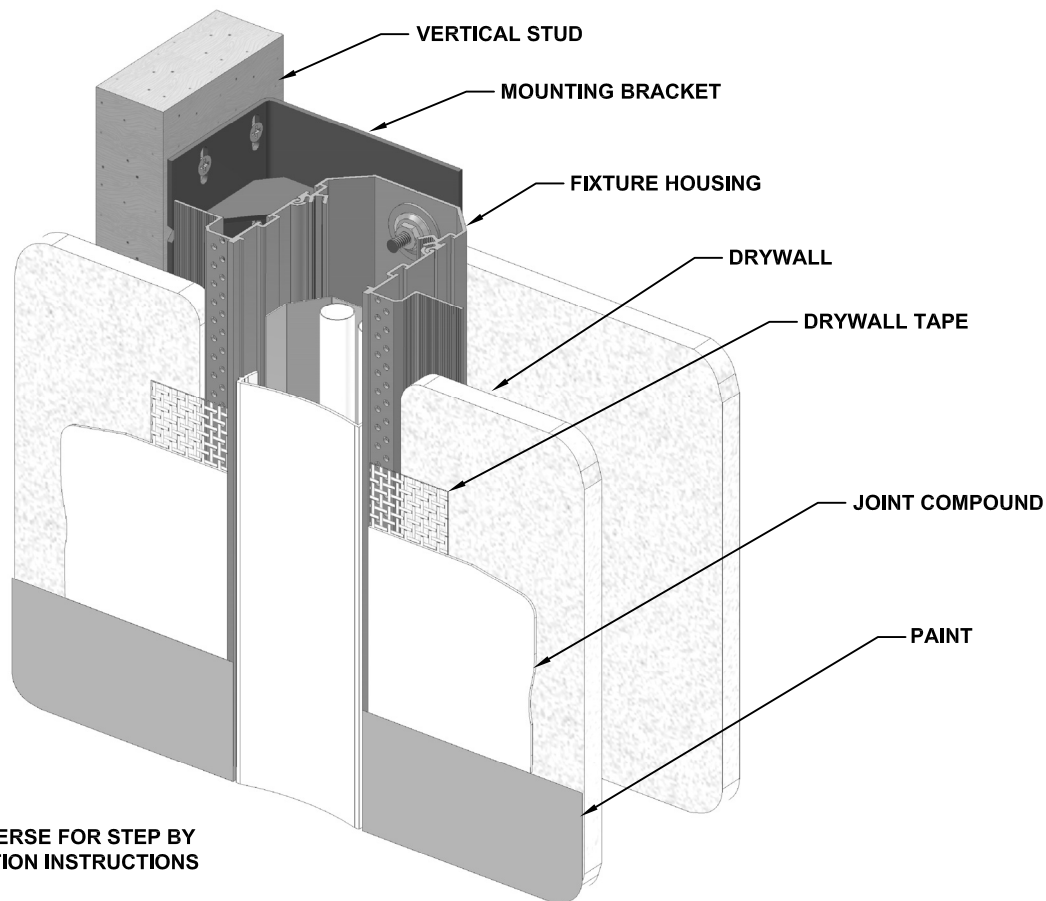
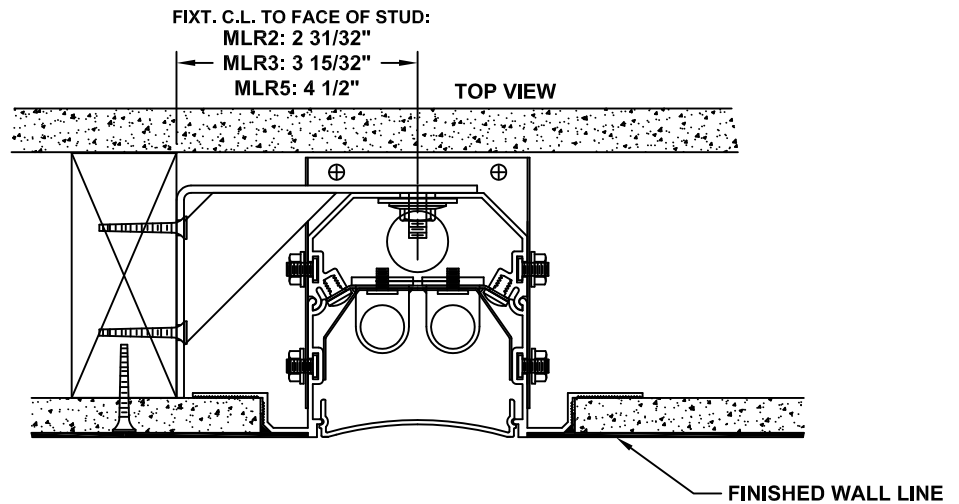


MLR2, MLR3, MLR5 FLUORESCENT OR LED -- VERTICAL MOUNT SPACKLE FLANGE SAFETY & INSTALLATION INSTRUCTIONS

CAUTION:

- * BE CERTAIN THAT POWER TO FIELD WIRING HAS BEEN TURNED OFF PRIOR TO INSTALLATION.
- * CONNECTIONS TO FIELD WIRES AND GROUNDING OF FIXTURES MUST BE DONE IN ACCORDANCE WITH APPLICABLE LOCAL & NATIONAL CODES. INSTALLATION MUST BE PERFORMED BY QUALIFIED PERSONNEL.
- * IT IS INSTALLERS RESPONSIBILITY TO ENSURE THAT WALL, CEILING OR JUNCTION BOX IS STRUCTURALLY CAPABLE OF SUPPORTING WEIGHT OF FIXTURE .
- * BE CERTAIN THAT SUPPLY VOLTAGE IS THE SAME AS THAT MARKED ON BALLASTS AND TRANSFORMERS.



REFERENCE REVERSE FOR STEP BY STEP INSTALLATION INSTRUCTIONS



MLR2, MLR3, MLR5 FLUORESCENT OR LED -- VERTICAL MOUNT SPACKLE FLANGE SAFETY & INSTALLATION INSTRUCTIONS

INDIVIDUAL FIXTURE INSTALLATION

STEP 1:

DRYWALL CONTRACTOR MUST PROVIDE A VERTICAL STUD CAPABLE OF SUPPORTING THE WEIGHT OF THE FIXTURE LOCATED AS INDICATED IN FIG. 2. (REF. FIG. 2)

STEP 2:

FASTEN MOUNTING BRACKETS (C) AT APPROPRIATE HEIGHT SECURELY TO THE VERTICAL STUD ON CENTERS AS INDICATED ON FACTORY SHOP DRAWING (FASTENERS BY OTHERS). IF YOU ARE NOT IN POSSESSION OF A FACTORY SHOP DRAWING CONTACT YOUR LOCAL REPRESENTATIVE OR THE FACTORY.

STEP 3:

ROUTE FLEXIBLE CONDUIT (D) TO TOP OF FIXTURE'S INSTALLED POSITION, PROVIDING SUFFICIENT LENGTH TO MAKE CONNECTION TO FIXTURE OUTSIDE OF FINISHED WALL. (REF. FIG. 1)

STEP 4:

REMOVE DIFFUSERS (A), REFLECTORS (B), AND FEED END SOCKET PLATE (F) FROM FIXTURE. REMOVE KNOCK-OUT FROM END PLATE (E) OF FIXTURE.

STEP 5:

POSITION FIXTURE JUST OUTSIDE FINISHED LOCATION AND TEMPORARILY SUPPORT IT. CONNECT FLEXIBLE CONDUIT (D) TO FIXTURE END PLATE AND ATTACH GROUND WIRE TO GROUND STUD ON INSIDE OF FIXTURE. MAKE OTHER WIRE CONNECTIONS WITHIN FIXTURE OBSERVING COLOR CODING OF WIRES. PUSH EXCESS WIRE BACK INTO FIXTURE WIRE-WAY COMPARTMENT AND REATTACH SOCKET PLATE TO HOUSING, ENSURING WIRES ARE NOT PINCHED BETWEEN FIXTURE AND SOCKET PLATE.

STEP 6:

POSITION FIXTURE SUCH THAT THREADED STUDS OF MOUNTING BRACKET (C) ARE PASSING THROUGH MOUNTING HOLES IN FIXTURE HOUSING. SECURE FIXTURE IN POSITION WITH 1/4-20 PAL-NUTS (G) PROVIDED. TIGHTEN NUTS SUFFICIENTLY TO ALLOW FIXTURE HOUSING TO SEAT SNUGLY AGAINST MOUNTING BRACKET.

STEP 7:

INSTALL REFLECTORS ONLY AT THIS TIME.

STEP 8:

DRYWALL CONTRACTOR TO ATTACH DRYWALL TO PERIMETER FLANGE SERRATED SECTION (J) OF FIXTURE WITH SELF DRILLING DRYWALL SCREWS.

STEP 9:

INSTALL DRYWALL TAPE SUCH THAT IT COMPLETELY COVERS PERIMETER FLANGE PERFORATED SECTION (I) OF FIXTURE AND EXTENDS ONTO ADJOINING DRYWALL. **CAUTION:** DO NOT ALLOW TAPE TO ENCROACH ON PLASTER FLOAT GUIDE (H) OF FIXTURE FLANGE. FLOAT AND FINISH WALL AS REQUIRED, USING SHIELD PROVIDED TO KEEP FLOATING COMPOUND OUT OF LIGHTED OPENING.

STEP 10:

INSTALL LAMPS AND DIFFUSERS. ENERGIZE FIXTURE AND CHECK FOR PROPER OPERATION.

LEGEND:

- | | |
|---------------------|----------------------|
| A- DIFFUSER | F- SOCKET PLATE |
| B- REFLECTOR | G- PAL-NUT |
| C- MOUNTING BRACKET | H- FLOAT GUIDE |
| D- FLEXIBLE CONDUIT | I- PERFORATED FLANGE |
| BY OTHERS) | J- SERRATED FLANGE |
| E- END PLATE | |

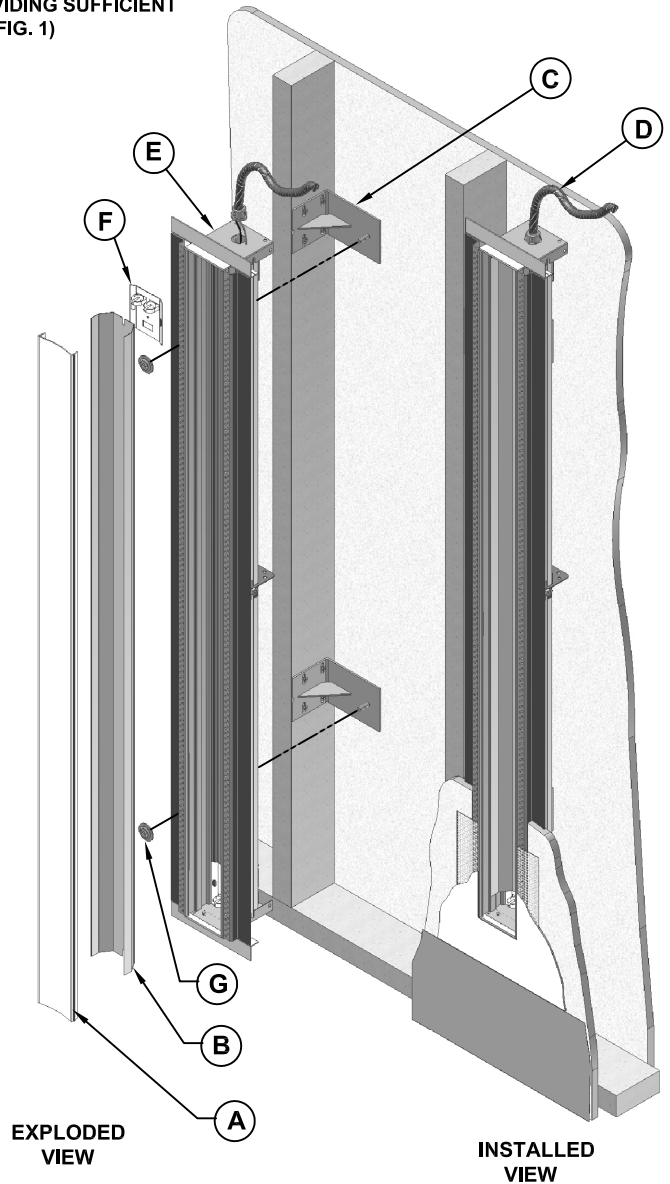


FIG. 1

