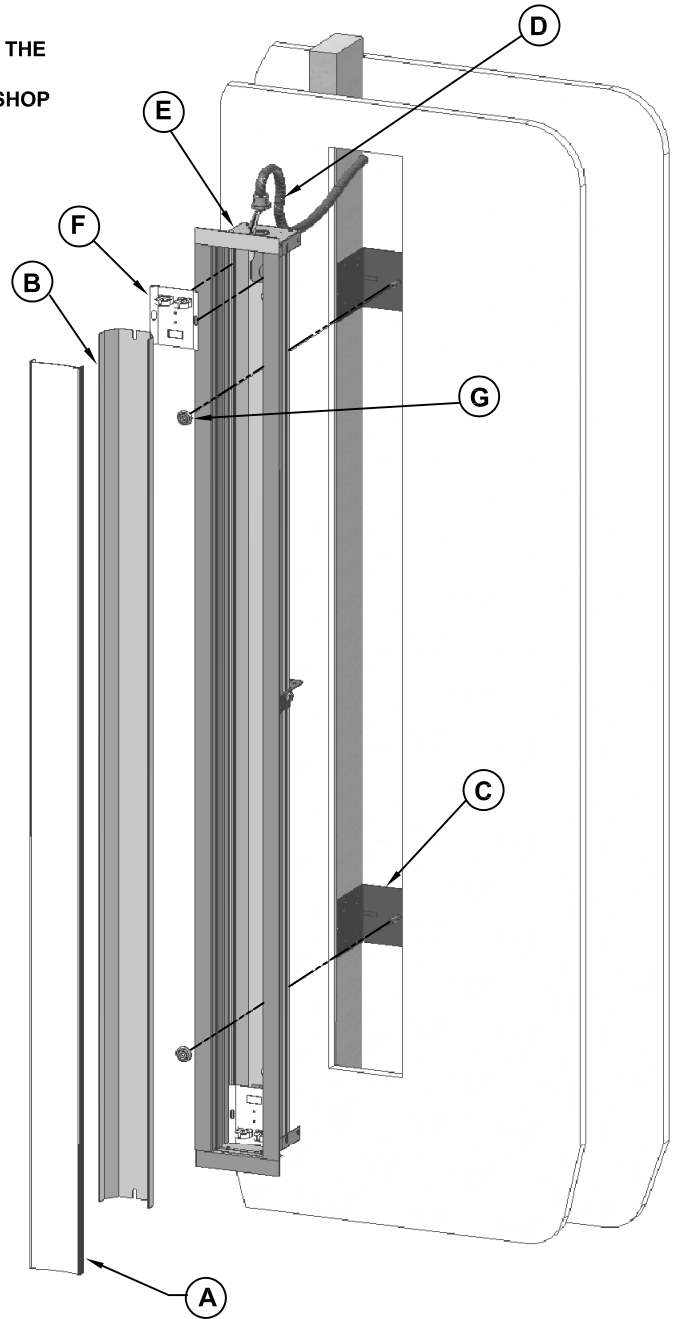


# MLR2, MLR3, MLR5 FLUORESCENT OR LED -- VERTICAL MOUNT OVERLAP FLANGE SAFETY & INSTALLATION INSTRUCTIONS

## INDIVIDUAL FIXTURE INSTALLATION

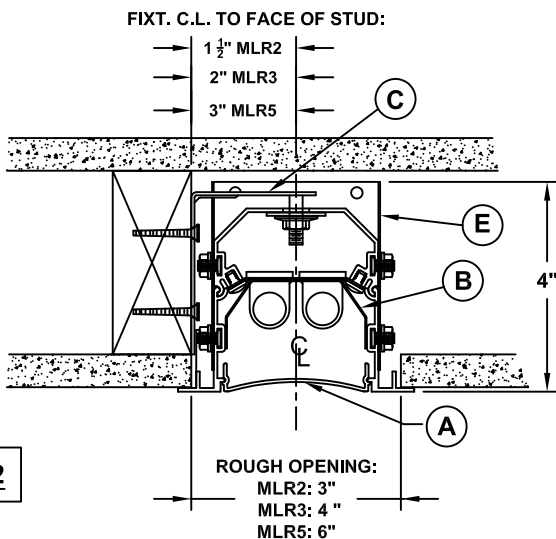
- STEP 1:**  
 DRYWALL CONTRACTOR MUST PROVIDE A VERTICAL STUD CAPABLE OF SUPPORTING THE WEIGHT OF THE FIXTURE AS INDICATED IN FIG. 2 TO THE FINISHED CENTER-LINE OF THE FIXTURE. (REF. FIG.2)
- STEP 2:**  
 FASTEN MOUNTING BRACKETS (C) AT APPROPRIATE HEIGHT SECURELY TO THE VERTICAL STUD ON CENTERS AS INDICATED ON FACTORY SHOP DRAWING. (FASTENERS BY OTHERS) IF YOU ARE NOT IN POSSESSION OF A FACTORY SHOP DRAWING CONTACT YOUR LOCAL REPRESENTATIVE OR THE FACTORY.
- STEP 3:**  
 ROUTE FLEXIBLE CONDUIT (D) TO TOP OF FIXTURE'S INSTALLED POSITION, PROVIDING SUFFICIENT LENGTH TO MAKE CONNECTION TO FIXTURE OUTSIDE OF FINISHED WALL. (REF. FIG. 1)
- STEP 4:**  
 INSTALL DRYWALL AND CUT ROUGH OPENING IN ACCORDANCE WITH DIMENSIONS ON FACTORY SHOP DRAWING. FLEXIBLE CONDUIT SHOULD BE EXPOSED AT TOP OF OPENING.
- STEP 5:**  
 REMOVE DIFFUSERS (A), REFLECTORS (B), AND FEED END SOCKET PLATE (F) FROM FIXTURE. REMOVE KNOCK-OUT FROM END PLATE (E) OF FIXTURE.
- STEP 6:**  
 POSITION FIXTURE JUST OUTSIDE WALL OPENING AND TEMPORARILY SUPPORT IT. CONNECT FLEXIBLE CONDUIT (D) TO FIXTURE END PLATE AND ATTACH GROUND WIRE TO GROUND STUD ON INSIDE OF FIXTURE, MAKE OTHER WIRE CONNECTIONS WITHIN FIXTURE OBSERVING COLOR CODING OF WIRES. PUSH EXCESS WIRE BACK INTO FIXTURE WIRE-WAY COMPARTMENT AND REATTACH SOCKET PLATE TO HOUSING, ENSURING WIRES ARE NOT PINCHED BETWEEN FIXTURE AND SOCKET PLATE.
- STEP 7:**  
 POSITION FIXTURE IN OPENING SUCH THAT THREADED STUDS OF MOUNTING BRACKET (C) ARE PASSING THROUGH MOUNTING HOLES IN FIXTURE HOUSING. SECURE FIXTURE IN POSITION WITH 1/4-20 PAL-NUTS (G) PROVIDED. TIGHTEN NUTS SUFFICIENTLY TO ALLOW FIXTURE FLANGE TO FIT SNUGLY AGAINST WALL.
- STEP 8:**  
 INSTALL REFLECTORS, LAMPS AND DIFFUSERS. ENERGIZE FIXTURE AND CHECK FOR PROPER OPERATION.



**LEGEND:**

- A- DIFFUSER
- B- REFLECTOR
- C- MOUNTING BRACKET
- D- FLEXIBLE CONDUIT (BY OTHERS)
- E- END PLATE
- F- SOCKET PLATE
- G - PAL-NUT

**FIG. 1**



**FIG. 2**



# MLR2, MLR3, MLR5 FLUORESCENT OR LED -- VERTICAL MOUNT OVERLAP FLANGE SAFETY & INSTALLATION INSTRUCTIONS

## CAUTION:

- \* BE CERTAIN THAT POWER TO FIELD WIRING HAS BEEN TURNED OFF PRIOR TO INSTALLATION.
- \* CONNECTIONS TO FIELD WIRES AND GROUNDING OF FIXTURES MUST BE DONE IN ACCORDANCE WITH APPLICABLE LOCAL & NATIONAL CODES. INSTALLATION MUST BE PERFORMED BY QUALIFIED PERSONNEL.
- \* IT IS INSTALLERS RESPONSIBILITY TO ENSURE THAT WALL, CEILING OR JUNCTION BOX IS STRUCTURALLY CAPABLE OF SUPPORTING WEIGHT OF FIXTURE .
- \* BE CERTAIN THAT SUPPLY VOLTAGE IS THE SAME AS THAT MARKED ON BALLASTS AND TRANSFORMERS.

