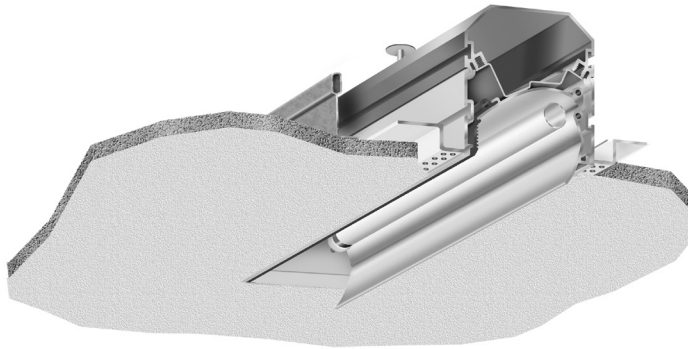


Microlinea Recessed Series 3

(Nominal 3" Luminous Aperture)

| | |
|----------------|------|
| Catalog Number | Type |
| Project Name | |



Asymmetric Wall Wash Drywall Spackle Flange (Trimless)

(T5 or T5HO Lamps)

S P E C I F I C A T I O N S

Housing

Three piece extruded aluminum with single length sections of 2' or 4'. Consult factory for row lengths longer than 4'.

Optical Controls

- Open
- (CAE) Clear Acrylic Enclosure (Snap-in)

Reflector

Three piece extruded aluminum assembly. Upper and lamp side extrusions are specular. Wall side extrusion is baked "flat black" powder coat to minimize glare to room side.

Ballast

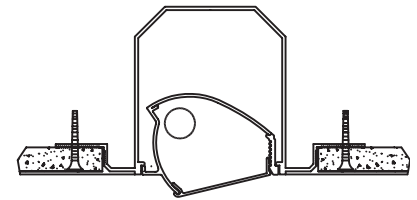
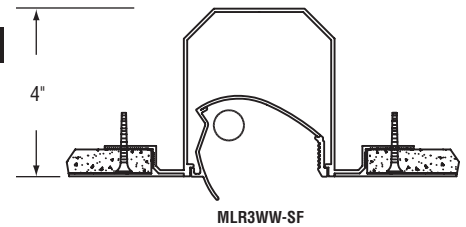
Standard ballasts for T5 and T5HO lamps are UL/CUL listed, Class P, HPF, electronic, universal 120/277volt, programmed rapid start with <10% THD.

Circuitry

All fixtures are factory pre-wired for a single circuit.

Certification

All fixtures are UL/CUL listed for use in 'Dry Applications'. 'Damp Location' is optional.



Shown with optional Clear Acrylic Enclosure (CAE)

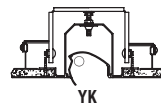
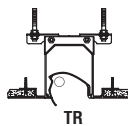
Standard Lengths:
2 = 2'
4 = 4'

Series
MLR3WW

Consult factory for row lengths longer than 4'.

Mountings

TR = 1/4"-20 Threaded Rod (by others)
YK = Adjustable Yoke



MLR3WW-4-SF5-YK-120-T5-[]

| Ceiling Type/Thickness | Voltage | Lamp Type | Options |
|--|---------|-----------|--|
| SF1 Spackle Flange w/1/2" Drywall | 120 | T5 | EBPL Emergency Battery Pack (635-700 Lumens) (N/A for 2' or 3') |
| SF5 Spackle Flange w/5/8" Drywall | 277 | T5HO | EBPH Emergency Battery Pack (975-1325 Lumens) (N/A for 2' or 3') |
| | 347 | | CAE Clear Acrylic Enclosure |
| | | | Dim Dimming |
| | | | FS Fused Ballasts |
| | | | GTD Generator Transfer Device (4' only) |
| | | | CP Chicago Plenum |

