

# ARR5 SPACKLE FLANGE SAFETY AND INSTALLATION INSTRUCTIONS

## "THREADED ROD BRACKET MOUNTING"

### INDIVIDUAL FIXTURE INSTALLATION

#### STEP 1:

PROVIDE TWO PAIR OF 1/4-20 THREADED RODS (E) ON 6 1/2" CENTERS AS INDICATED IN FIG. 1 BY LENGTHWISE SPACING AS INDICATED ON FACTORY SHOP DRAWING. THREADED RODS SHOULD BE SECURELY ATTACHED TO STRUCTURE ABOVE AND TERMINATE APPROXIMATELY 3 1/2" ABOVE FINISHED CEILING LINE. THREAD ONE JAM NUT (I) ON EACH THREADED ROD TO A POINT ABOVE FINAL HEIGHT ADJUSTMENT. (REF. FIG. 1)

IF YOU ARE NOT IN THE POSSESSION OF A SHOP DRAWING, CONTACT YOUR LOCAL REPRESENTATIVE OR THE FACTORY TO OBTAIN ONE.

#### STEP 2:

SECURE SUPPORT BRACKET (B) ONTO EACH END OF FIXTURE WITH 10-24 NUTS PROVIDED (REF. FIG. 2)

#### STEP 3:

RAISE FIXTURE SUCH THAT THREADED RODS ARE PASSING THROUGH HOLES IN SUPPORT BRACKET. THREAD 1/4-20 NUTS ONTO THREADED RODS AND ADJUST SUCH THAT FIXTURE FLOAT GUIDE (F) IS FLUSH WITH FINISHED CEILING LINE. TIGHTEN JAM NUTS AGAINST UPPER SIDE OF BRACKET TO LOCK ASSEMBLY INTO POSITION. ADDITIONAL CROSSWISE AND LENGTHWISE SUPPORT MAY BE NECESSARY TO ENSURE THAT FIXTURE REMAINS IN PROPER POSITION DURING DRYWALL INSTALLATION.

#### STEP 4:

REMOVE ACCESS PLATE (D) AND PULL FIXTURE LEADS OUT THROUGH OPENING. REMOVE KNOCK-OUT FROM ACCESS PLATE AND INSTALL FLEXIBLE CONDUIT FEED (C) TO ACCESS PLATE. ATTACH GROUND WIRE TO STUD ON INSIDE OF ACCESS PLATE AND MAKE OTHER WIRE CONNECTIONS MAINTAINING COLOR CODING OF WIRES. PUSH EXCESS WIRE INTO FIXTURE HOUSING AND SECURE ACCESS PLATE TO HOUSING INSURING THAT WIRES ARE NOT PINCHED BETWEEN FIXTURE AND ACCESS PLATE. (REF. FIG.3)

#### STEP 5:

ROTATE FLANGE SPACER BRACKET (J) INTO POSITION AND SECURE TO PERFORATED FLANGE WITH SCREWS PROVIDED. (FIG. 2)

#### STEP 6:

DRYWALL CONTRACTOR TO ATTACH DRYWALL TO PERIMETER FLANGE SERRATED SECTION (H) OF FIXTURE WITH SELF DRILLING DRYWALL SCREWS.

#### STEP 7:

REMOVE AND DISCARD FLANGE SPACER BRACKET. INSTALL DRYWALL TAPE SUCH THAT IT COMPLETELY COVERS PERIMETER FLANGE PERFORATED SECTION (G) OF FIXTURE AND EXTENDS ONTO ADJOINING DRYWALL. **CAUTION:** DO NOT ALLOW TAPE TO ENCRANCH ON PLASTER FLOAT GUIDE (F) OF FIXTURE FLANGE. FLOAT AND FINISH CEILING AS REQUIRED. UPON COMPLETION OF CEILING PAINTING, REMOVE PROTECTIVE TAPE FROM REFLECTOR FLANGE.

#### STEP 8:

ENERGIZE FIXTURE AND CHECK FOR PROPER OPERATION.

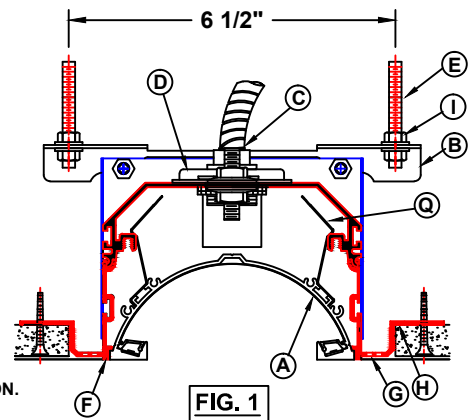
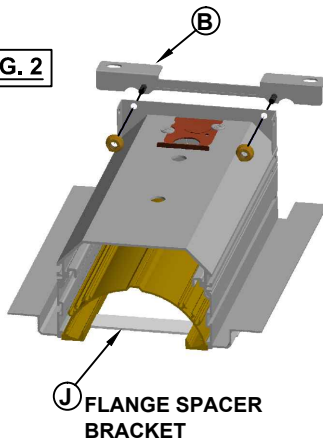


FIG. 1

#### LEGEND:

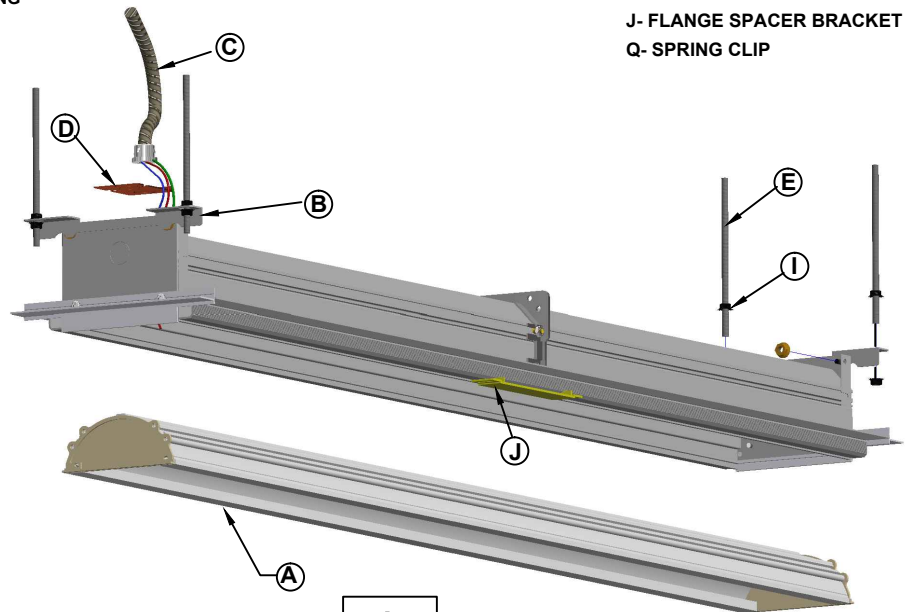
- A- REFLECTOR ASSEMBLY
- B- SUPPORT BRACKET
- C- FLEXIBLE CONDUIT (BY OTHERS)
- D- POWER ACCESS PLATE
- E- THREADED ROD (BY OTHERS)
- F- FLOAT GUIDE
- G- PERFORATED FLANGE
- H- SERRATED FLANGE
- I- JAM NUT
- J- FLANGE SPACER BRACKET
- Q- SPRING CLIP

FIG. 2



J FLANGE SPACER BRACKET

FIG. 3



# ARR5 SPACKLE FLANGE SAFETY AND INSTALLATION INSTRUCTIONS

## CONTINUOUS ROW INSTALLATION - "THREADED ROD BRACKET MOUNTING"

**NOTE:** A FACTORY SHOP DRAWING IS PROVIDED FOR ALL CONTINUOUS ROW INSTALLATIONS. IF YOU ARE NOT IN POSSESSION OF A DRAWING, CONTACT YOUR LOCAL P.A.L. REPRESENTATIVE OR THE FACTORY TO OBTAIN ONE.

**STEP 1:**

PROVIDE THREADED ROD ON CENTERS AS ILLUSTRATED IN FIG. 1 OF FRONT PAGE AND AS DETAILED ON SHOP DRAWING.

**STEP 2:**

INSTALL FIRST FIXTURE (END OF ROW) FOLLOWING STEPS 1 THROUGH 3 ON PAGE 1.

**STEP 3:**

MOUNT NEXT FIXTURE IN A SIMILAR FASHION AS FIRST FIXTURE SUCH THAT THE ALIGNMENT TABS (O) FIT INTO THE FIRST FIXTURE. MAKE CONNECTION OF THE WIRE HARNESS (N) AND PUSH EXCESS WIRE BACK INTO FIXTURE. SLIDE FIXTURES TOGETHER, MAKING SURE THAT WIRE IS NOT PINCHED BETWEEN JOINT, AND BOLT FIXTURES TOGETHER WITH NUTS AND BOLTS (M) SUPPLIED. (REF. FIG. 4)

**STEP 4:**

REPEAT STEP (3) AS REQUIRED TO COMPLETE ROW AS INDICATED ON FACTORY SHOP DRAWING.

**STEP 5:**

REMOVE ACCESS PLATE (D) AT LEFT HAND END OF ROW AND PULL FIXTURE LEADS OUT THROUGH OPENING. REMOVE KNOCK-OUT FROM ACCESS PLATE AND INSTALL FLEXIBLE CONDUIT FEED (C) TO ACCESS PLATE. ATTACH GROUND WIRE TO STUD ON INSIDE OF ACCESS PLATE AND MAKE OTHER WIRE CONNECTIONS MAINTAINING COLOR CODING OF WIRES. PUSH EXCESS WIRE INTO FIXTURE HOUSING AND SECURE ACCESS PLATE TO HOUSING ENSURING THAT WIRES ARE NOT PINCHED BETWEEN FIXTURE AND ACCESS PLATE. (REF. FIG. 5)

**STEP 6:**

ROTATE FLANGE SPACER BRACKET (J) INTO POSITION AND SECURE TO PERFORATED FLANGE WITH SCREWS PROVIDED. (REF. PAGE 1 FIG. 2)

**STEP 7:**

DRYWALL CONTRACTOR TO ATTACH DRYWALL TO PERIMETER FLANGE SERRATED SECTION (H) OF FIXTURE WITH SELF DRILLING DRYWALL SCREWS. (REF. PAGE 1 FIG. 1)

**STEP 8:**

REMOVE AND DISCARD FLANGE SPACER BRACKET. INSTALL DRYWALL TAPE SUCH THAT IT COMPLETELY COVERS PERIMETER FLANGE PERFORATED SECTION (G) OF FIXTURE AND EXTENDS ONTO ADJOINING DRYWALL.

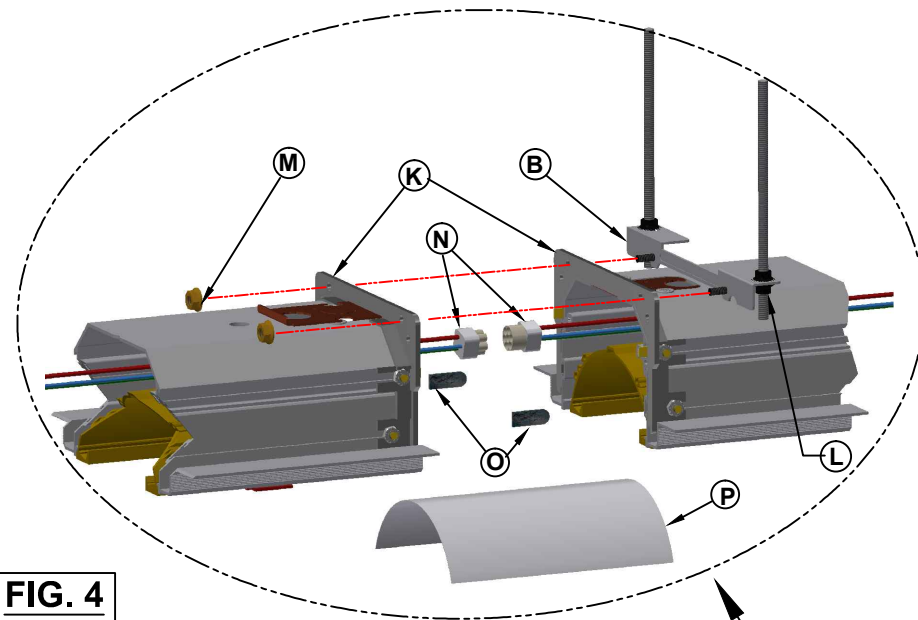
**CAUTION:** DO NOT ALLOW TAPE TO ENCRANCH ON PLASTER FLOAT GUIDE (F) OF FIXTURE FLANGE. FLOAT AND FINISH CEILING AS REQUIRED.

**STEP 9:**

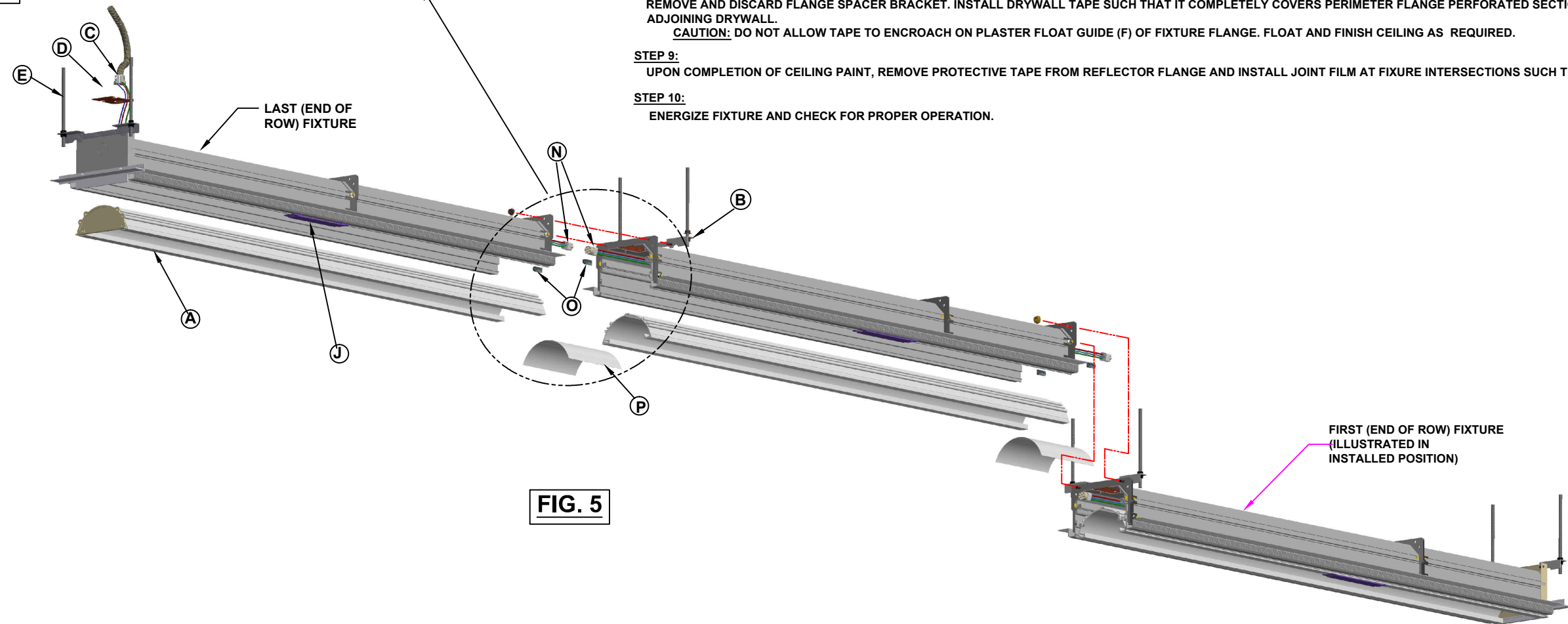
UPON COMPLETION OF CEILING PAINT, REMOVE PROTECTIVE TAPE FROM REFLECTOR FLANGE AND INSTALL JOINT FILM AT FIXTURE INTERSECTIONS SUCH THAT IT SPANS JOINT. (SEE PAGE 4)

**STEP 10:**

ENERGIZE FIXTURE AND CHECK FOR PROPER OPERATION.



**FIG. 4**



**FIG. 5**

**LEGEND:**

- A- REFLECTOR ASSEMBLY
- B- SUPPORT BRACKET
- C- FLEXIBLE CONDUIT (BY OTHERS)
- D- POWER ACCESS PLATE
- E- 1/4-20 THREADED ROD (BY OTHERS)
- \* F- FLOAT GUIDE
- \* G- PERFORATED FLANGE
- \* H SERRATED FLANGE
- \* I- JAM NUT
- J- FLANGE SPACER BRACKET
- K- CROSS BRACE
- L- LOWER NUT
- M- NUTS
- N- WIRE HARNESS
- O- ALIGNMENT TAB
- P- JOINT FILM
- \* Q- SPRING CLIP
- \* ILLUSTRATED ON PAGE 1

# ARR5 SPACKLE FLANGE SAFETY AND INSTALLATION INSTRUCTIONS

**NOTE:**  
REFLECTOR ASSEMBLY (A) IS RETAINED IN HOUSING WITH SPRING CLIPS (Q). REFLECTOR MAY BE REMOVED TO GAIN DRIVER ACCESS BY GENTLY PULLING THE REFLECTOR DOWN ON ONE END AND THEN THE OTHER END (FIG. 6). TETHER WIRES WILL RETAIN REFLECTOR APPROXIMATELY 6" BELOW HOUSING. WHEN RE-INSTALLING REFLECTOR, TAKE CARE THAT ALL WIRES ARE NOT BEING PINCHED AND APPLY EVEN PRESSURE TO ALL FOUR CORNERS UNTIL IT IS FULLY SEATED WITHIN HOUSING. (FIG. 7)

