

ARR5 SPACKLE FLANGE SAFETY AND INSTALLATION INSTRUCTIONS

CAUTION:

- * BE CERTAIN THAT POWER TO FIELD WIRING HAS BEEN TURNED OFF PRIOR TO INSTALLATION.
- * CONNECTIONS TO FIELD WIRES AND GROUNDING OF FIXTURES MUST BE DONE IN ACCORDANCE WITH APPLICABLE LOCAL & NATIONAL CODES. INSTALLATION MUST BE PERFORMED BY QUALIFIED PERSONNEL.
- * IT IS INSTALLERS RESPONSIBILITY TO ENSURE THAT WALL, CEILING OR JUNCTION BOX IS STRUCTURALLY CAPABLE OF SUPPORTING WEIGHT OF FIXTURE .
- * BE CERTAIN THAT SUPPLY VOLTAGE IS THE SAME AS THAT MARKED ON DRIVERS.

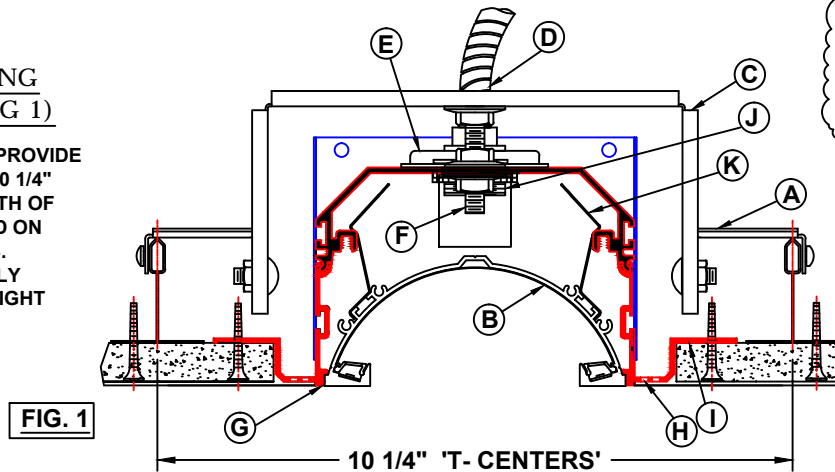
**CE PRODUIT DOIT ÊTRE
INSTALLÉ SELON LE CODE
D'INSTALLATION PERTINENT,
PAR UNE PERSONNE QUI
CONNAÎT BIEN LE PRODUIT
ET SON FONCTIONNEMENT
AINSI QUE LES RISQUES
INHÉRENTS.**

"ADJUSTABLE YOKE MOUNTING BRACKET" INDIVIDUAL FIXTURE INSTALLATION

STEP 1:

DRYWALL "T" CEILING CONSTRUCTION (FIG 1)

CEILING CONTRACTOR TO PROVIDE TWO FIXED MAIN "T"s ON 10 1/4" CENTERS (FIG. 1) BY LENGTH OF FIXTURE RUN AS INDICATED ON FACTORY SHOP DRAWINGS. T's SHOULD BE ADEQUATELY SUPPORTED TO CARRY WEIGHT OF FIXTURE.



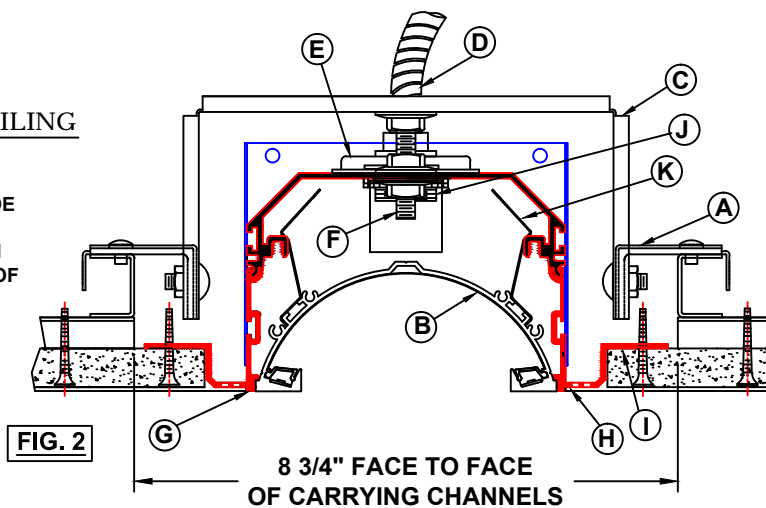
NOTE:
THE FIXTURE MUST BE COMPLETELY INSTALLED BEFORE DRYWALL CAN BE ATTACHED TO CEILING FRAMING AND FIXTURE FLANGES.

LEGEND:

- A- YOKE SUPPORT WING
- B- REFLECTOR ASSEMBLY
- C- ADJUSTABLE YOKE
- D- FLEXIBLE CONDUIT (BY OTHERS)
- E- POWER ACCESS PLATE
- F- CARRIAGE BOLT ASSEMBLY
- G- FLOAT GUIDE
- H- PERFORATED FLANGE
- I- SERRATED FLANGE
- J- LOWER NUT
- K- SPRING CLIP

METAL FURRING AND CARRYING CHANNEL CEILING CONSTRUCTION (FIG 2)

CEILING CONTRACTOR TO PROVIDE TWO FIXED CARRYING CHANNELS WITH A FACE TO FACE DIMENSION OF 8 3/4" (FIG. 2) BY THE LENGTH OF FIXTURE RUN AS INDICATED ON FACTORY SHOP DRAWINGS. NOTE THAT THE FURRING CHANNEL SHOULD NOT INFRINGE UPON THE FACE TO FACE OPENING OF 8 3/4" (FIG. 2) CREATED BY THE CARRYING CHANNELS.



NOTE:
IF YOU ARE NOT IN POSSESSION OF A SHOP DRAWING, CONTACT YOUR LOCAL REPRESENTATIVE OR THE FACTORY TO OBTAIN ONE.

INSTRUCTIONS CONTINUED ON FOLLOWING PAGE



Precision Architectural Lighting 4830 Timber Creek Drive Houston, Texas 77017
Tel (713) 946-4343 Fax (713) 946-4441 www.pal-lighting.com

PAL RESERVES THE RIGHT TO CHANGE PRODUCT DESIGN AND SPECIFICATIONS. CONTACT FACTORY FOR MOST RECENT PRODUCT INFORMATION.

3750240-1 2/2022

ARR5 SPACKLE FLANGE SAFETY AND INSTALLATION INSTRUCTIONS

"ADJUSTABLE YOKE MOUNTING BRACKET" INDIVIDUAL FIXTURE INSTALLATION

STEP 2:

DETERMINE APPROPRIATE POSITION OF YOKE SUPPORT WINGS (A) AND TIGHTEN TO YOKE WITH 1/4-20 CARRIAGE BOLTS AND NUTS PROVIDED. (REF. FIG. 3)

STEP 3:

REMOVE REFLECTOR ASSEMBLY (B) FROM FIXTURE (REF. INSTRUCTIONS ON PAGE 4). REMOVE LOWER NUT (J) FROM YOKE ASSEMBLY (C) AND ADJUST UPPER JAM NUT (L) TO THE UPPERMOST POSITION. ATTACH TWO YOKE ASSEMBLIES (C) TO HOUSING THROUGH MOUNTING HOLES PROVIDED WITH PREVIOUSLY REMOVED NUT.(REF. FIG. 4)

STEP 4:

ROTATE YOKE ASSEMBLY TO CLEAR OPENING AND RAISE FIXTURE UP THROUGH CEILING FRAMING OPENING. ONCE FIXTURE CLEARS SUPPORTS, ROTATE YOKES SO THAT THEY ARE PERPENDICULAR TO THE HOUSING AND LOWER ENTIRE ASSEMBLY ONTO SUPPORT STRUCTURE. AT THIS POINT THE YOKE SUPPORT WINGS MAY BE SECURED TO THE CEILING STRUCTURE. (FASTENERS BY OTHERS)

STEP 5:

ADJUST LOWER NUT (J) WITHIN FIXTURE HOUSING SUCH THAT THE SERRATED FLANGE (I) IS FLUSH WITH CEILING FRAMING. TIGHTEN UPPER JAM NUT DOWN ONTO FIXTURE HOUSING TO LOCK IT INTO POSITION. (REF. PAGE 1 FIGURES 1 OR 2)

STEP 6:

REMOVE ACCESS PLATE (E) AND PULL FIXTURE LEADS OUT THROUGH OPENING. REMOVE KNOCK-OUT FROM ACCESS PLATE AND INSTALL FLEXIBLE CONDUIT FEED (D) TO ACCESS PLATE. ATTACH GROUND WIRE TO STUD ON INSIDE OF ACCESS PLATE AND MAKE OTHER WIRE CONNECTIONS MAINTAINING COLOR CODING OF WIRES. PUSH EXCESS WIRE INTO FIXTURE HOUSING AND SECURE ACCESS PLATE TO HOUSING INSURING THAT WIRES ARE NOT PINCHED BETWEEN FIXTURE AND ACCESS PLATE. (REF. FIG.4)

STEP 7:

INSTALL REFLECTORS AND ROTATE FLANGE SPACER BRACKET (M) INTO POSITION AND SECURE TO PERFORATED FLANGE WITH SCREWS PROVIDED. (FIG. 4A)

STEP 8:

DRYWALL CONTRACTOR TO ATTACH DRYWALL TO PERIMETER FLANGE SERRATED SECTION (I) OF FIXTURE WITH SELF DRILLING DRYWALL SCREWS. (REF. PAGE 1 FIGURES 1 OR 2)

STEP 9:

REMOVE AND DISCARD FLANGE SPACER BRACKET. INSTALL DRYWALL TAPE SUCH THAT IT COMPLETELY COVERS PERIMETER FLANGE PERFORATED SECTION (H) OF FIXTURE AND EXTENDS ONTO ADJOINING DRYWALL. (REF. PAGE 1 FIG'S 1 OR 2)
CAUTION: DO NOT ALLOW TAPE TO ENCR OACH ON PLASTER FLOAT GUIDE (G) OF FIXTURE FLANGE. FLOAT AND FINISH CEILING AS REQUIRED. REMOVE PROTECTIVE TAPE FROM REFLECTOR ONCE PAINTING OF CEILING IS COMPLETE.

STEP 10:

ENERGIZE FIXTURE AND CHECK FOR PROPER OPERATION.

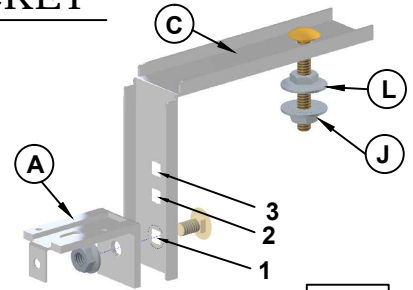


FIG. 3

CEILING SUPPORT	POSITION
1-11/16" 'T'	1
3/4" CHANNEL	1
1-1/2" CHANNEL	2
2" CHANNEL	3

STEP 7:

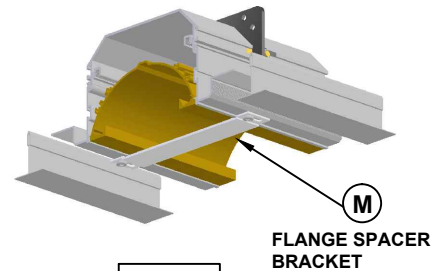


FIG. 4A

LEGEND:

- A- YOKE SUPPORT WING
- B- REFLECTOR ASSEMBLY
- C- ADJUSTABLE YOKE
- D- FLEXIBLE CONDUIT (BY OTHERS)
- E- POWER ACCESS PLATE
- F- CARRIAGE BOLT ASSEMBLY
- * G- FLOAT GUIDE
- * H- PERFORATED FLANGE
- * I- SERRATED FLANGE
- J- LOWER NUT
- * K- SPRING CLIP
- L- JAM NUT
- M- FLANGE SPACER BRACKET

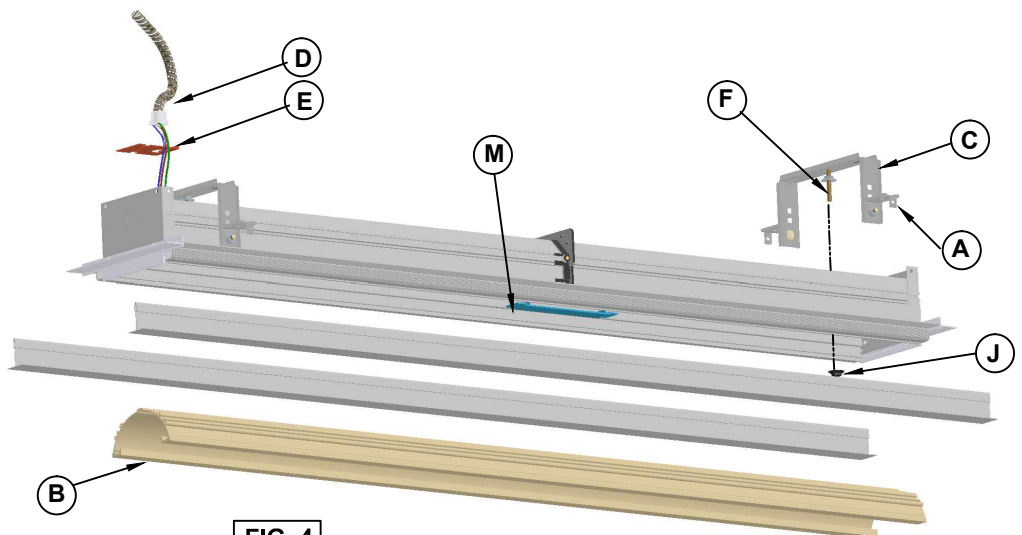


FIG. 4

* ILLUSTRATED ON FRONT PAGE



ARR5 SPACKLE FLANGE SAFETY AND INSTALLATION INSTRUCTIONS

CONTINUOUS ROW INSTALLATION

STEP 1:
CEILING CONTRACTOR TO PROVIDE SUPPORT T'S OR CARRYING CHANNELS AS DESCRIBED IN STEP 1 ON FRONT PAGE. (REF. FIG. 1 OR 2)

STEP 2:
INSTALL FIRST FIXTURE (END OF ROW) FOLLOWING STEPS 2 THROUGH 5.

STEP 3:
MOUNT NEXT FIXTURE IN A SIMILAR FASHION AS FIRST FIXTURE SUCH THAT THE ALIGNMENT TABS (P) FIT INTO THE FIRST FIXTURE. MAKE CONNECTION OF THE WIRE HARNESS (O) AND PUSH EXCESS WIRE BACK INTO FIXTURE. SLIDE FIXTURES TOGETHER, MAKING SURE THAT WIRE IS NOT PINCHED BETWEEN JOINT, AND BOLT FIXTURES TOGETHER WITH NUTS AND BOLTS (N) SUPPLIED. (REF. FIG. 5)

STEP 4:
REPEAT STEP (3) AS REQUIRED TO COMPLETE ROW AS INDICATED ON FACTORY SHOP DRAWING.

STEP 5:
REMOVE ACCESS PLATE (E) AT LEFT HAND END OF ROW AND PULL FIXTURE LEADS OUT THROUGH OPENING. REMOVE KNOCK-OUT FROM ACCESS PLATE AND INSTALL FLEXIBLE CONDUIT FEED (D) TO ACCESS PLATE. ATTACH GROUND WIRE TO STUD ON INSIDE OF ACCESS PLATE AND MAKE OTHER WIRE CONNECTIONS MAINTAINING COLOR CODING OF WIRES. PUSH EXCESS WIRE INTO FIXTURE HOUSING AND SECURE ACCESS PLATE TO HOUSING ENSURING THAT WIRES ARE NOT PINCHED BETWEEN FIXTURE AND ACCESS PLATE. (REF. FIG'S 5 & 6)

STEP 6:
INSTALL REFLECTOR ASSEMBLIES, ROTATE FLANGE SPACER BRACKET (M) INTO POSITION AND SECURE TO PERFORATED FLANGE WITH SCREWS PROVIDED. (FIG. 4A)

STEP 7:
INSTALL JOINT FILM (Q) SUCH THAT IT SPANS FIXTURE INTERSECTIONS. (REF. FIG.'S 5 & 6)

STEP 8:
DRYWALL CONTRACTOR TO ATTACH DRYWALL TO PERIMETER FLANGE SERRATED SECTION (I) OF FIXTURE WITH SELF DRILLING DRYWALL SCREWS. (REF. PAGE 1 FIG'S 1 OR 2)

STEP 9:
REMOVE AND DISCARD FLANGE SPACER BRACKET. INSTALL DRYWALL TAPE SUCH THAT IT COMPLETELY COVERS PERIMETER FLANGE PERFORATED SECTION (H) OF FIXTURE AND EXTENDS ONTO ADJOINING DRYWALL.

CAUTION: DO NOT ALLOW TAPE TO ENCROACH ON PLASTER FLOAT GUIDE (G) OF FIXTURE FLANGE. FLOAT AND FINISH CEILING AS REQUIRED. REMOVE PROTECTIVE TAPE FROM REFLECTOR FLANGE ONCE PAINTING OF CEILING IS COMPLETE

LEGEND:

A- YOKE SUPPORT WING	* I- SERRATED FLANGE
B- REFLECTOR	* J- LOWER NUT
C- ADJUSTABLE YOKE	* K- SPRING CLIP
D- FLEXIBLE CONDUIT	* L - JAM NUT
(BY OTHERS)	* * M- FLANGE SPACER BRACKET
E- POWER ACCESS PLATE	N- NUTS AND BOLTS
F- CARRIAGE BOLT ASSEMBLY	O- WIRE HARNESS
* G- FLOAT GUIDE	P- ALIGNMENT TAB
* H- PERFORATED FLANGE	Q- JOINT FILM
	R- CROSS BRACE

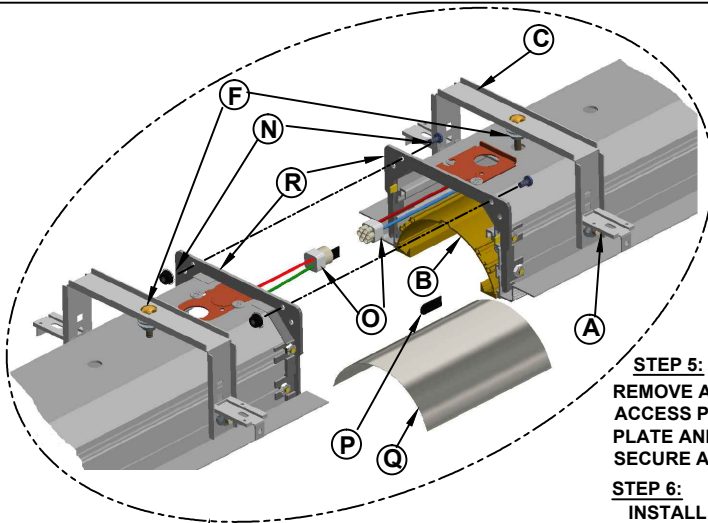


FIG. 5

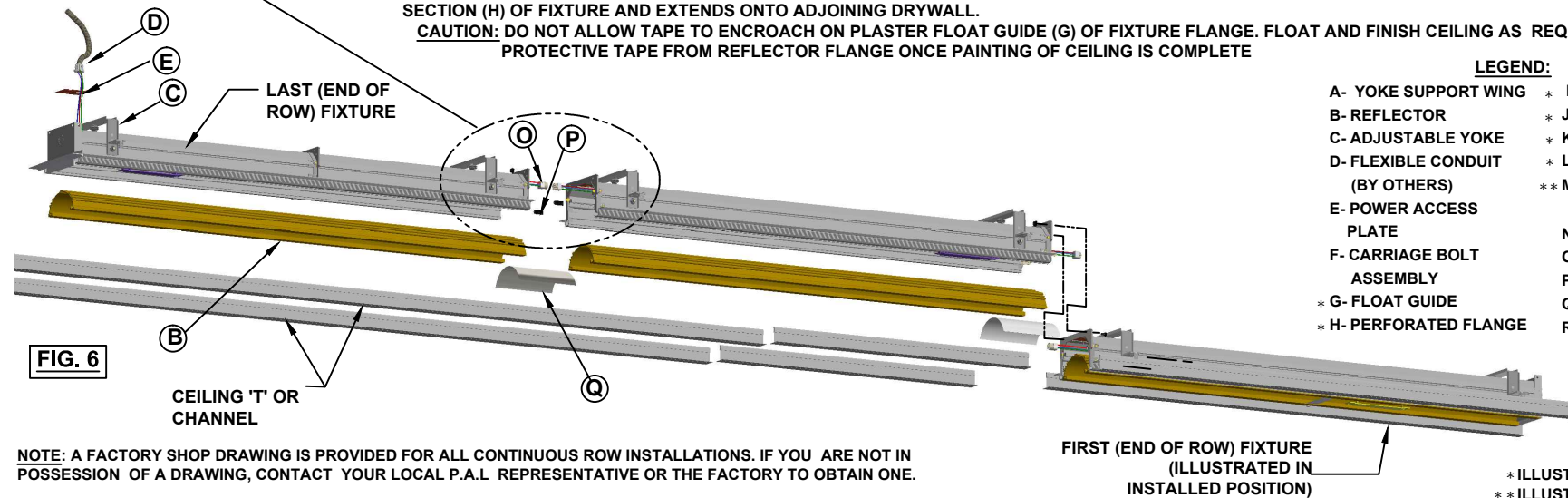


FIG. 6

NOTE: A FACTORY SHOP DRAWING IS PROVIDED FOR ALL CONTINUOUS ROW INSTALLATIONS. IF YOU ARE NOT IN POSSESSION OF A DRAWING, CONTACT YOUR LOCAL P.A.L. REPRESENTATIVE OR THE FACTORY TO OBTAIN ONE.

FIRST (END OF ROW) FIXTURE
(ILLUSTRATED IN
INSTALLED POSITION)

* ILLUSTRATED ON PAGE 1
* * ILLUSTRATED ON PAGE 2



Precision Architectural Lighting

4830 Timber Creek Drive Houston, Texas 77017
Tel (713) 946-4343 Fax (713) 946-4441 www.pal-lighting.com

PAL RESERVES THE RIGHT TO CHANGE PRODUCT DESIGN AND SPECIFICATIONS. CONTACT FACTORY FOR MOST RECENT PRODUCT INFORMATION.

3750240-3 2/2022

ARR5 SPACKLE FLANGE SAFETY AND INSTALLATION INSTRUCTIONS

NOTE:

REFLECTOR ASSEMBLY (B) IS RETAINED IN HOUSING WITH SPRING CLIPS (K). REFLECTOR MAY BE REMOVED TO GAIN DRIVER ACCESS BY GENTLY PULLING THE REFLECTOR DOWN ON ONE END AND THEN THE OTHER END. TETHER WIRES WILL RETAIN REFLECTOR APPROXIMATELY 6" BELOW HOUSING. WHEN RE-INSTALLING REFLECTOR, TAKE CARE THAT ALL WIRES ARE NOT BEING PINCHED AND APPLY EVEN PRESSURE TO ALL FOUR CORNERS UNTIL IT IS FULLY SEATED WITHIN HOUSING. (FIG. 7)

