

# ARR5 LED - OVERLAP FLANGE SNAP-IN YOKE - SAFETY AND INSTALLATION INSTRUCTIONS

## CAUTION:

- \* BE CERTAIN THAT POWER TO FIELD WIRING HAS BEEN TURNED OFF PRIOR TO INSTALLATION.
- \* THIS PRODUCT MUST BE INSTALLED IN ACCORDANCE WITH THE APPLICABLE INSTALLATION CODE BY A PERSON FAMILIAR WITH THE CONSTRUCTION AND OPERATION OF THE PRODUCT AND THE HAZARDS INVOLVED.
- \* IT IS INSTALLER'S RESPONSIBILITY TO ENSURE THAT MOUNTING SURFACE IS STRUCTURALLY CAPABLE OF SUPPORTING WEIGHT OF FIXTURE.
- \* BE CERTAIN THAT SUPPLY VOLTAGE IS THE SAME AS THAT MARKED ON FIXTURE.

**CE PRODUIT DOIT ÊTRE  
INSTALLÉ SELON LE CODE  
D'INSTALLATION PERTINENT,  
PAR UNE PERSONNE QUI  
CONNAÎT BIEN LE PRODUIT ET  
SON FONCTIONNEMENT AINSI  
QUE LES RISQUES INHÉRENTS.**

## "SNAP-IN YOKE MOUNTING"

### INDIVIDUAL FIXTURE INSTALLATION

#### STEP 1:

CEILING CONTRACTOR MUST PROVIDE A 6" WIDE ROUGH CEILING OPENING WITH 1-1/2" WIDE DRYWALL TEE (G) MOUNTED ON 7-1/2" CENTERS MALONG EACH SIDE OF OPENING (REF. FIG. 1). LENGTH OF OPENING SHOULD BE AS INDICATED ON FACTORY SHOP DRAWING. IF YOU ARE NOT IN POSSESSION OF A SHOP DRAWING, CONTACT YOUR LOCAL REPRESENTATIVE OR THE FACTORY TO OBTAIN ONE.

#### STEP 2:

LOCATE AND SECURE SNAP-IN YOKE (B) TO "TEE" SUPPORT ON THE CENTERS INDICATED ON FACTORY SHOP DRAWING. (REF. FIG. 1&2) THE YOKE CAN BE ADJUSTED ONCE INSTALLED BY REMOVING TENSION ON SPRING CLIP AND SLIDING TO PROPER POSITION.

#### STEP 3:

REMOVE REFLECTOR ASSEMBLY (A) AND POWER ACCESS PLATE (D) FROM FIXTURE. PULL FIXTURE LEADS OUT OF ACCESS PLATE OPENING. **NOTE:** SEE PAGE 4 FOR REFLECTOR REMOVAL

#### STEP 4:

REMOVE KNOCK-OUT FROM ACCESS PLATE AND INSTALL FLEXIBLE CONDUIT FEED (C) TO ACCESS PLATE. ATTACH GROUND WIRE TO STUD ON INSIDE OF ACCESS PLATE.

#### STEP 5:

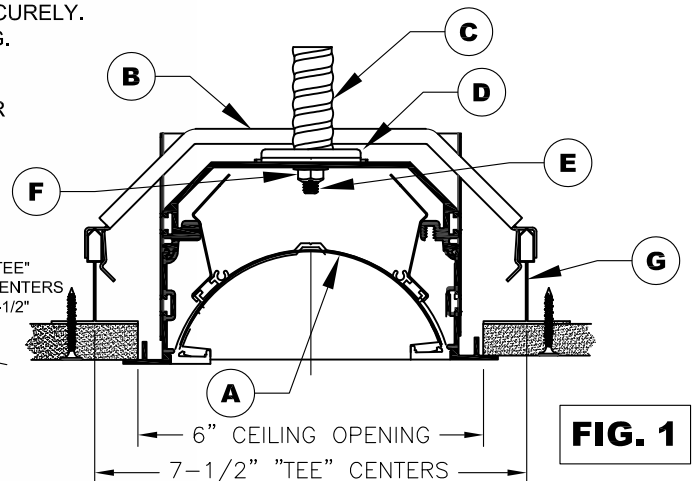
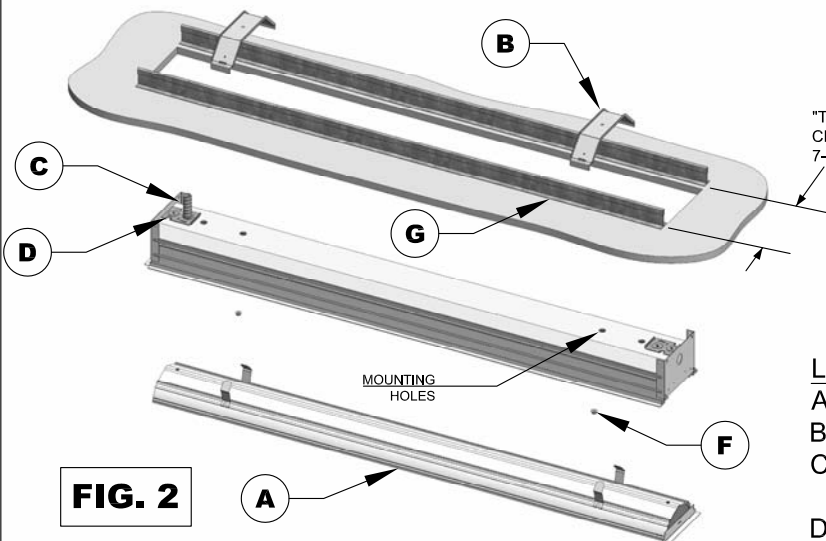
RAISE FIXTURE AND TEMPORARILY SUPPORT IT JUST BELOW THE ROUGH OPENING. MAKE WIRE CONNECTIONS OBSERVING COLOR CODING OF WIRES. PUSH EXCESS WIRE INTO FIXTURE HOUSING AND SECURE ACCESS PLATE TO HOUSING, INSURING THAT WIRES ARE NOT PINCHED BETWEEN FIXTURE AND ACCESS PLATE. (REF. FIG.2)

#### STEP 6:

CONTINUE TO RAISE FIXTURE INTO ROUGH OPENING SUCH THAT THREADED STUD (E) OF YOKE PROTRUDES THROUGH MOUNTING HOLES. THREAD PAL-NUTS (F) - PROVIDED BY PAL - ONTO THREADED STUDS. MAKE CERTAIN FIXTURE IS CENTERED IN ROUGH OPENING AND TIGHTEN PAL-NUTS SECURELY. FIXTURE FLANGE SHOULD BE SNUG AGAINST FINISHED SIDE OF CEILING.

#### STEP 7:

INSTALL REFLECTOR (SEE PAGE 4), ENERGIZE CIRCUIT AND CHECK FOR PROPER OPERATION OF FIXTURE.



**FIG. 1**

#### LEGEND:

- |                                     |                   |
|-------------------------------------|-------------------|
| A - REFLECTOR ASSY                  | E - THREADED STUD |
| B - SNAP-IN YOKE                    | F - PAL NUT       |
| C - FLEXIBLE CONDUIT<br>(BY OTHERS) | G - DRYWALL "TEE" |
| D - POWER ACCESS PLATE              |                   |



# ARR5 LED - OVERLAP FLANGE SNAP-IN YOKE - SAFETY AND INSTALLATION INSTRUCTIONS

## CONTINUOUS ROW INSTALLATION

NOTE: A FACTORY SHOP DRAWING IS PROVIDED FOR ALL CONTINUOUS ROW INSTALLATIONS. IF YOU ARE NOT IN POSSESSION OF A DRAWING, CONTACT YOUR LOCAL P.A.L. REPRESENTATIVE OR THE FACTORY TO OBTAIN ONE.

**STEP 1:**  
CEILING CONTRACTOR MUST PROVIDE AN UNINTERRUPTED OPENING UTILIZING MAIN TEE'S SPACED 7-1/2" CENTER TO CENTER, LENGTH AS REQUIRED. MAIN TEE'S SHOULD BE SUITABLY SECURED TO STRUCTURE ABOVE TO SUPPORT WEIGHT OF FIXTURE RUN. CONSULT FACTORY FOR FIXTURE WEIGHTS IF NECESSARY.

**STEP 2:**  
INSTALL FIRST (END OF ROW) FIXTURE IN ROW OBSERVING MOUNTING INSTRUCTIONS FROM FRONT PAGE.

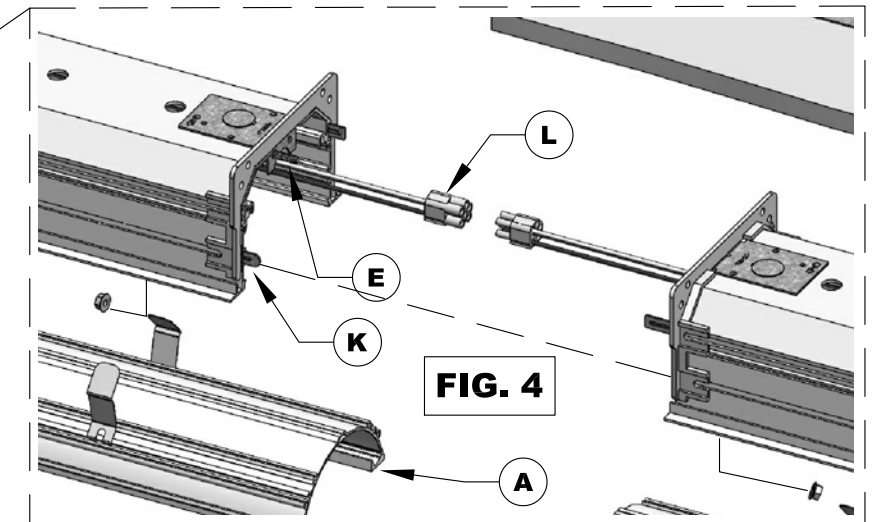
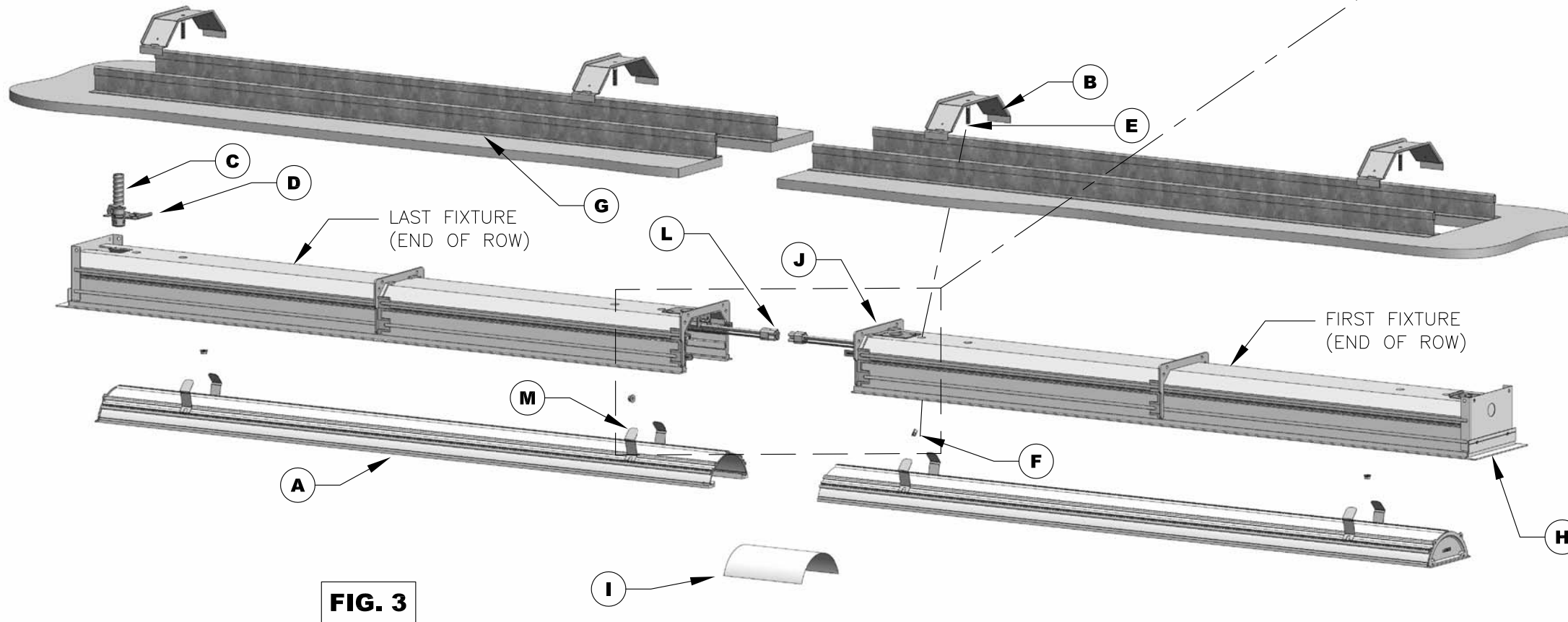
**STEP 3:**  
POSITION THE NEXT FIXTURE SUCH THAT THE ALIGNMENT TABS (K) (REF. FIG. 4) FIT INTO THE FIRST FIXTURE. MAKE CONNECTION OF THE WIRE HARNESS (L) AND PUSH EXCESS WIRE BACK INTO FIXTURE. MAKE SURE THAT WIRE IS NOT PINCHED BETWEEN JOINT AND SLIDE FIXTURES TOGETHER. DRAW FIXTURE UP TO CEILING BY TIGHTENING PAL NUTS (F) ONTO THREADED STUD (E) OF YOKE. DRAW FIXTURES SNUGLY TOGETHER HORIZONTALLY BY TIGHTENING TWO 1/4-20 NUTS ONTO THREADED STUDS (E) OF JOINT ACCESS PLATE.

**STEP 4:**  
REPEAT STEP (3) AS REQUIRED TO COMPLETE ROW AS INDICATED ON FACTORY SHOP DRAWINGS SUPPLIED.

**STEP 5:**  
CONFIRM ALIGNMENT AND FIXTURE SPLICE POINTS FOR PROPER FIT.

**STEP 6:**  
PRIOR TO INSTALLING LEFT HAND END OF ROW FIXTURE, REMOVE ACCESS PLATE (D) AT DESIGNATED FEED LOCATION AND PULL FIXTURE LEADS OUT THROUGH OPENING. REMOVE KNOCK-OUT FROM ACCESS PLATE AND INSTALL FLEXIBLE CONDUIT (C) TO ACCESS PLATE. ATTACH GROUND WIRE TO INSIDE OF ACCESS PLATE AND MAKE OTHER WIRE CONNECTIONS MAINTAINING COLOR CODING OF WIRES. PUSH EXCESS WIRE INTO FIXTURE AND SECURE ACCESS PLATE TO HOUSING INSURING THAT WIRES ARE NOT PINCHED BETWEEN FIXTURE AND ACCESS PLATE. (REF. FIG.3) INSTALL FIXTURE AS DESCRIBED IN STEP 3.

**STEP 7:**  
INSTALL REFLECTOR ASSEMBLIES (REF. FIG.5, PAGE 4). INSTALL JOINT FILM AT FIXTURE INTERSECTIONS (FIG.3&6). ENERGIZE CIRCUIT AND CHECK FOR PROPER OPERATION OF RUN.



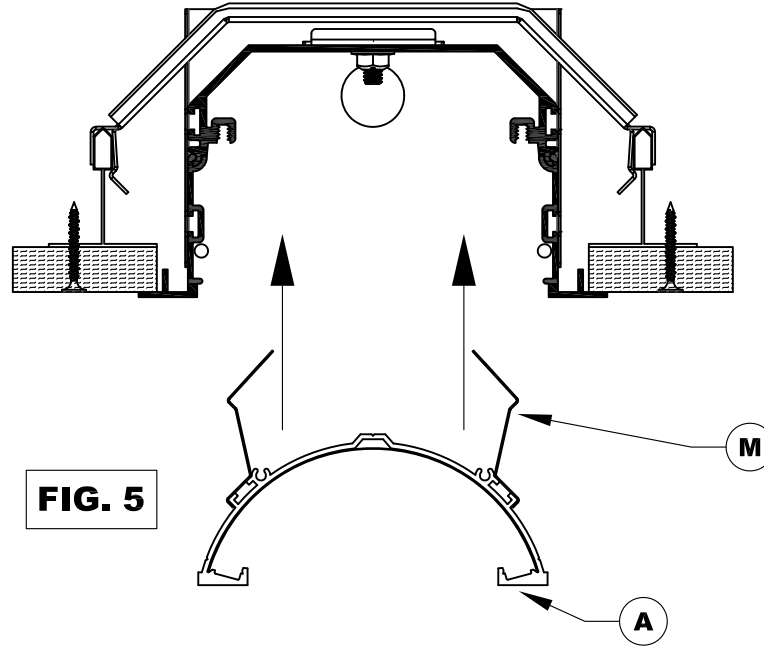
- LEGEND:**
- A - REFLECTOR ASSY.
  - B - SNAP-IN YOKE
  - C - FLEXIBLE CONDUIT (BY OTHERS)
  - D - POWER ACCESS PLATE
  - E - THREADED STUD
  - F - PAL NUT
  - G - DRYWALL "TEE"
  - H - END TRIM
  - I - JOINT FILM
  - J - CROSS BRACE
  - K - ALIGNMENT TABS
  - L - WIRING HARNESS
  - M - REFLECTOR RETAINING CLIPS



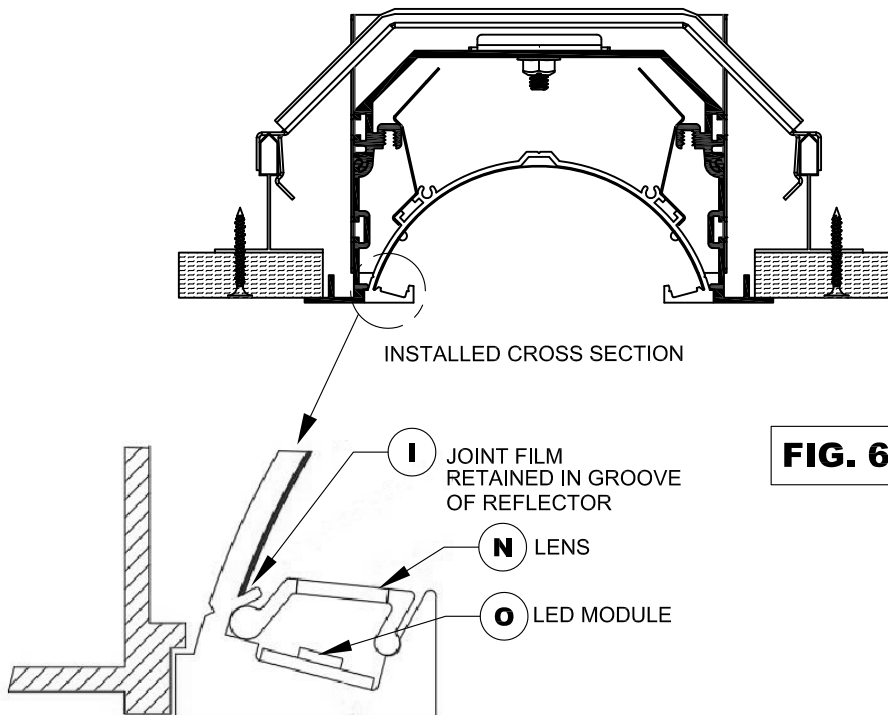
# ARR5 LED - OF SNAP-IN YOKE SAFETY AND INSTALLATION INSTRUCTIONS

**NOTE:**

REFLECTOR ASSEMBLY (A) IS RETAINED IN HOUSING WITH SPRING CLIPS (M). REFLECTOR MAY BE REMOVED TO GAIN DRIVER ACCESS BY GENTLY PULLING THE REFLECTOR DOWN ON ONE END AND THEN DOWN ON THE OTHER END. TETHER WIRES WILL RETAIN REFLECTOR APPROXIMATELY 6" BELOW HOUSING. WHEN REINSTALLING REFLECTOR, TAKE CARE THAT ALL WIRES ARE NOT BEING PINCHED AND APPLY EVEN PRESSURE TO ALL FOUR CORNERS UNTIL IT IS FULLY SEATED WITHIN HOUSING (FIG 5)



**FIG. 5**



**FIG. 6**

