

ARR5 LED - OVERLAP FLANGE - ADJUSTABLE CABLE - SAFETY AND INSTALLATION INSTRUCTIONS

CAUTION:

- * BE CERTAIN THAT POWER TO FIELD WIRING HAS BEEN TURNED OFF PRIOR TO INSTALLATION.
- * THIS PRODUCT MUST BE INSTALLED IN ACCORDANCE WITH THE APPLICABLE INSTALLATION CODE BY A PERSON FAMILIAR WITH THE CONSTRUCTION AND OPERATION OF THE PRODUCT AND THE HAZARDS INVOLVED.
- * IT IS INSTALLER'S RESPONSIBILITY TO ENSURE THAT MOUNTING SURFACE IS STRUCTURALLY CAPABLE OF SUPPORTING WEIGHT OF FIXTURE.
- * BE CERTAIN THAT SUPPLY VOLTAGE IS THE SAME AS THAT MARKED ON FIXTURE.

**CE PRODUIT DOIT ÊTRE
INSTALLÉ SELON LE CODE
D'INSTALLATION PERTINENT,
PAR UNE PERSONNE QUI
CONNAÎT BIEN LE PRODUIT ET
SON FONCTIONNEMENT AINSI
QUE LES RISQUES INHÉRENTS.**

"ADJUSTABLE CABLE MOUNTING"

INDIVIDUAL FIXTURE INSTALLATION

STEP 1:

CEILING CONTRACTOR MUST PROVIDE A 6" WIDTH ROUGH CEILING OPENING. (REF. FIG. 1). LENGTH OF OPENING SHOULD BE AS INDICATED ON FACTORY SHOP DRAWING. IF YOU ARE NOT IN POSSESSION OF A SHOP DRAWING, CONTACT YOUR LOCAL REPRESENTATIVE OR THE FACTORY TO OBTAIN ONE.

STEP 2:

SECURE CABLE (B) TO STRUCTURAL SUPPORT ABOVE, IN MIDDLE OF ROUGH OPENING AND ON THE CENTERS INDICATED ON FACTORY SHOP DRAWING. DO NOT CUT CABLE AT THIS TIME. ALLOW IT TO PROTRUDE THROUGH CEILING OPENING.

STEP 3:

REMOVE REFLECTOR ASSEMBLY (A) AND POWER ACCESS PLATE (D) FROM FIXTURE. PULL FIXTURE LEADS OUT OF ACCESS PLATE OPENING. **NOTE:** SEE PAGE 4 FOR REFLECTOR REMOVAL.

STEP 4:

REMOVE KNOCK-OUT FROM ACCESS PLATE AND INSTALL FLEXIBLE CONDUIT FOR FEED (C) TO ACCESS PLATE (D). ATTACH GROUND WIRE TO STUD ON INSIDE OF ACCESS PLATE.

STEP 5:

ATTACH CABLE GRIPPERS (K) THROUGH 9/16" DIAMETER MOUNTING HOLES IN FIXTURE HOUSING WITH NUT AND LOCKWASHER PROVIDED, AS ILLUSTRATED. (FIG 1.) TIGHTEN SECURELY.

STEP 6:

RAISE FIXTURE AND ROUTE CABLES THROUGH CENTER OF CABLE GRIPPER AS ILLUSTRATED, WHILE HOLDING LOWER END OF CABLE. RAISE FIXTURE TO WITHIN APPROXIMATELY 6" OF CEILING OPENING. FIXTURE WILL AUTOMATICALLY BE RETAINED AT LAST POINT OF ADJUSTMENT. MAKE WIRE CONNECTIONS OBSERVING COLOR CODING OF WIRES. PUSH EXCESS WIRE INTO FIXTURE HOUSING AND SECURE ACCESS PLATE TO HOUSING, ENSURING THAT WIRES ARE NOT PINCHED BETWEEN FIXTURE AND ACCESS PLATE. (REF. FIG. 2)

STEP 7:

WHILE HOLDING LOWER END OF CABLE, RAISE FIXTURE SO THAT FLANGE IS SNUG AGAINST FINISHED CEILING. INSTALL SAFETY STOP (P) CUT EXCESS CABLE LEAVING APPROXIMATELY 6" ON THE INSIDE OF FIXTURE SO THAT IT MAY BE LOWERED IF NECESSARY. FIXTURE MAY BE LOWERED BY PULLING DOWN ON THE KNURLED NUT (G) ON THE CABLE GRIPPER.

CAUTION: MAKE SURE TO SUPPORT FIXTURE IF RELEASING IT FROM FROM THE CABLE SUSPENSION.

STEP 8:

INSTALL REFLECTOR ASSEMBLY (SEE PAGE 4), ENERGIZE CIRCUIT AND CHECK FOR PROPER OPERATION OF FIXTURE.

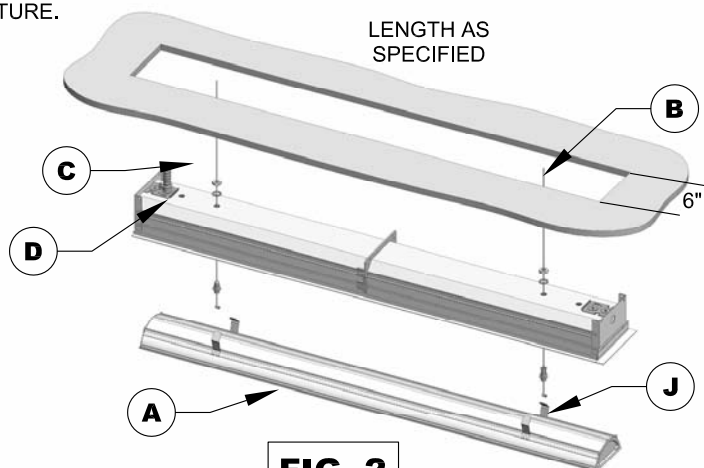
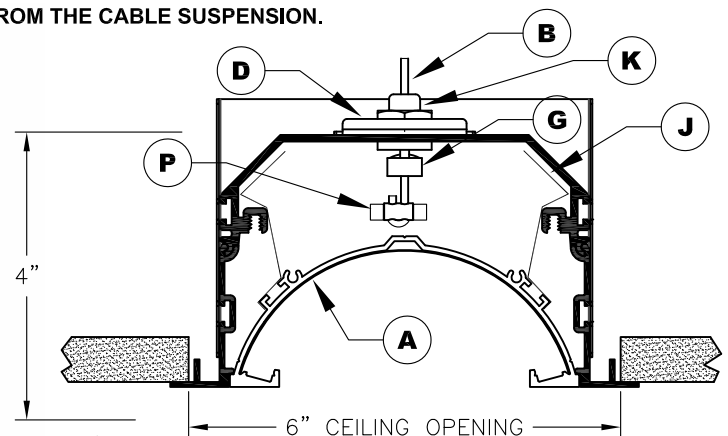


FIG. 2



LEGEND:

- | | |
|-------------------------------------|-------------------|
| A - REFLECTOR ASSEMBLY | K - CABLE GRIPPER |
| B - CABLE | P - SAFETY STOP |
| C - FLEXIBLE CONDUIT
(BY OTHERS) | |
| D - POWER ACCESS PLATE | |
| G - KNURLED NUT | |
| J - REFLECTOR SPRING CLIP | |

FIG. 1



ARR5 LED - OVERLAP FLANGE - ADJUSTABLE CABLE - SAFETY AND INSTALLATION INSTRUCTIONS

CONTINUOUS ROW FIXTURE INSTALLATION

STEP 1:

CEILING CONTRACTOR MUST PROVIDE A 6" CEILING OPENING WIDTH AS INDICATED IN FIG. 3 BY LENGTH AS INDICATED ON FACTORY SHOP DRAWING. (REF. FIG.3). IF YOU ARE NOT IN POSSESSION OF A SHOP DRAWING, CONTACT YOUR LOCAL REPRESENTATIVE OR THE FACTORY TO OBTAIN ONE.

STEP 2:

SECURE CABLE (B) TO STRUCTURAL SUPPORT ABOVE IN MIDDLE OF ROUGH OPENING AND ON THE CENTERS INDICATED ON FACTORY SHOP DRAWING. DO NOT CUT CABLE AT THIS TIME. ALLOW IT TO PROTRUDE THROUGH CEILING OPENING.

STEP 3:

REMOVE REFLECTOR ASSEMBLIES (A) AND INSTALL FIRST FIXTURE (END OF ROW) FOLLOWING STEPS 5 THROUGH 7 ON FIRST

PAGE:

NOTE: INCOMING FEED IS TO BE MADE AT LEFT HAND END OF ROW (LAST FIXTURE).

POSITION NEXT FIXTURE SUCH THAT THE ALIGNMENT TABS (REF. FIG.4)(E) FIT INTO THE FIRST FIXTURE. MAKE CONNECTION OF THE WIRE HARNESS (H) AND PUSH EXCESS WIRE BACK INTO THE FIXTURE. MAKE SURE WIRE IS NOT PINCHED BETWEEN JOINT AND SLIDE FIXTURES TOGETHER. DRAW FIXTURE UP TO THE CEILING BY HOLDING LOWER END OF CABLE AND RAISING FIXTURE SNUG AGAINST CEILING. DRAW FIXTURES SNUGLY TOGETHER HORIZONTALLY BY TIGHTENING THE TWO 1/4-20 NUTS ONTO THE STUDS (F) PROTRUDING FROM ACCESS PLATE.

STEP 5:

REPEAT STEP 4 AS REQUIRED TO COMPLETE ROW AS INDICATED ON FACTORY SHOP DRAWINGS SUPPLIED.

STEP 6:

CONFIRM ALIGNMENT AND FIXTURE SPLICE POINTS FOR PROPER FIT.

STEP 7:

PRIOR TO INSTALLING LEFT HAND END OF ROW FIXTURE, REMOVE ACCESS PLATE (D) AT DESIGNATED FEED LOCATION AND PULL FIXTURE LEADS OUT THROUGH OPENING. REMOVE KNOCK-OUT FROM ACCESS PLATE AND INSTALL FLEXIBLE CONDUIT (C) TO ACCESS PLATE. ATTACH GROUND WIRE TO STUD ON INSIDE OF ACCESS PLATE AND MAKE OTHER WIRE CONNECTIONS MAINTAINING COLOR CODING OF WIRES. PUSH EXCESS WIRE INTO FIXTURE AND SECURE ACCESS PLATE TO HOUSING ENSURING THAT WIRES ARE NOT PINCHED BETWEEN FIXTURE AND ACCESS PLATE. (REF. FIG. 3) CONTINUE TO INSTALL FIXTURE AS DESCRIBED IN STEP 4.

STEP 8:

INSTALL REFLECTOR ASSEMBLIES (REF.FIG. 5, PG.4). INSTALL JOINT FILM (I) AT FIXTURE INTERSECTIONS (FIG.3 & 6). ENERGIZE CIRCUIT AND CHECK FOR PROPER OPERATION OF RUN.

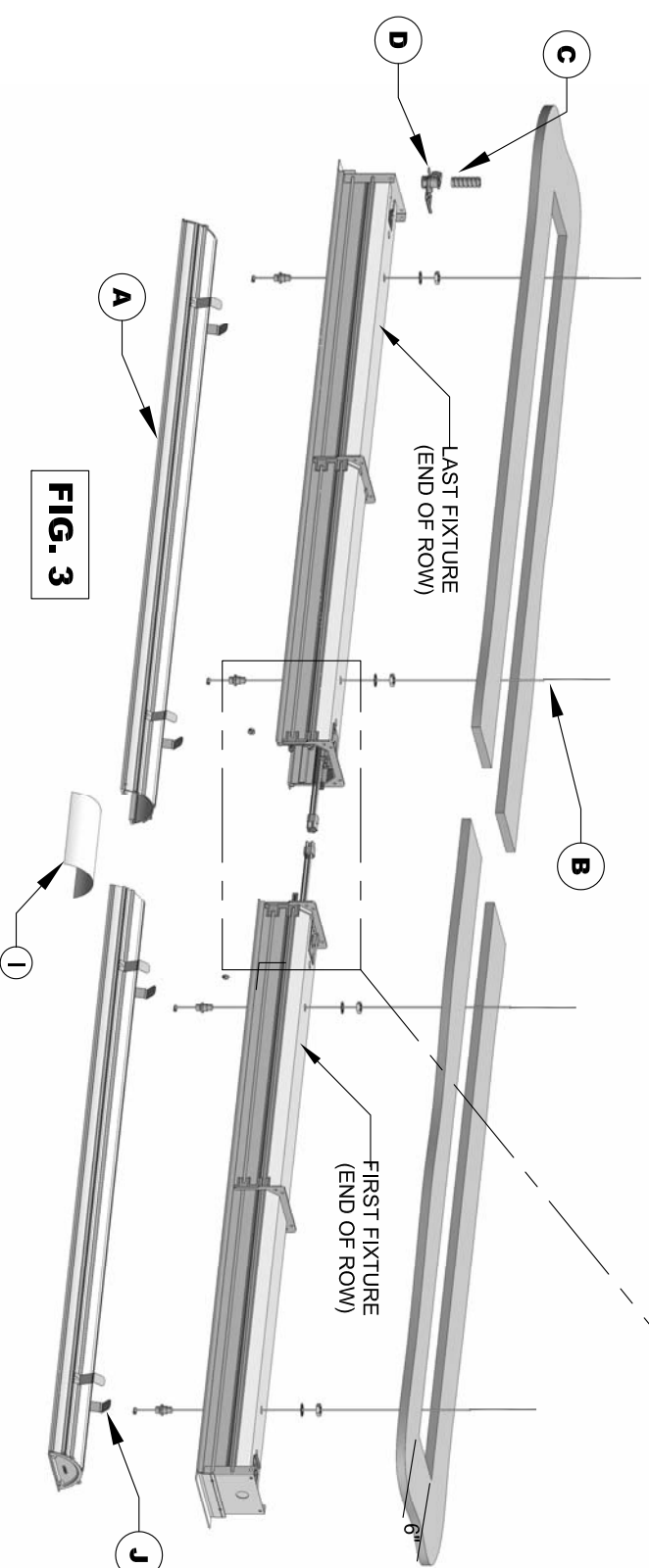


FIG. 3

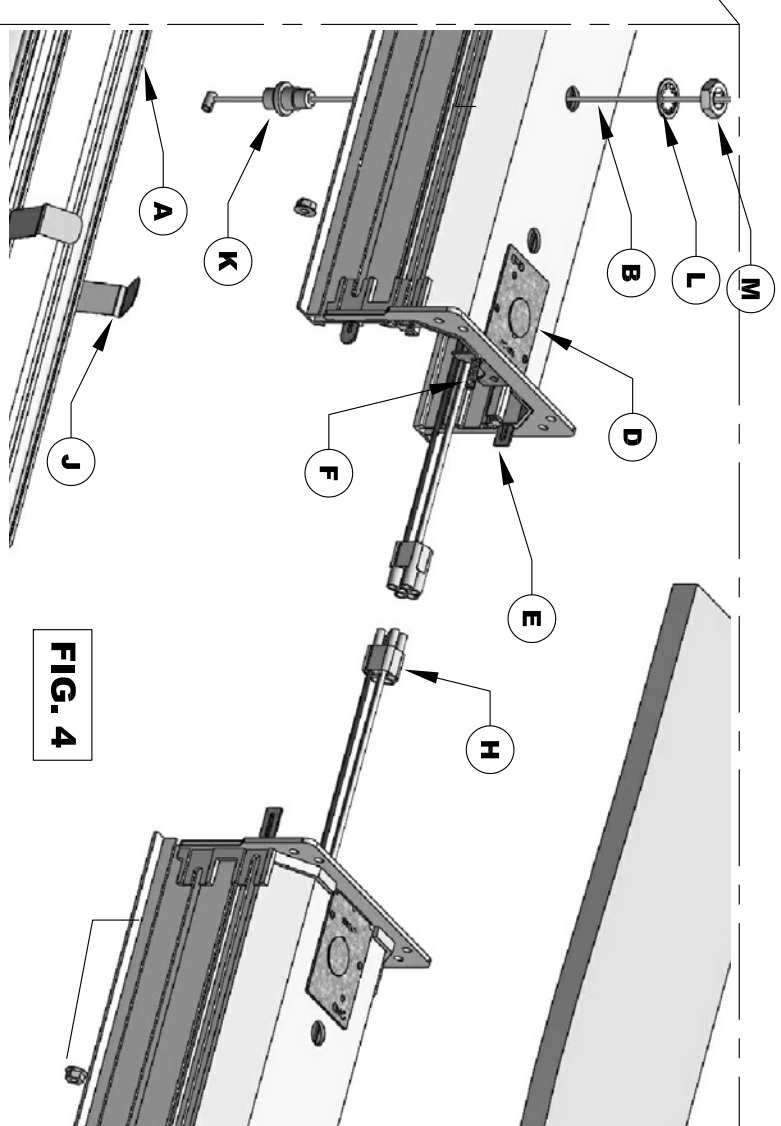


FIG. 4

- LEGEND:**
- A - REFLECTOR ASSEMBLY
 - B - CABLE
 - C - FLEXIBLE CONDUIT
 - D - POWER ACCESS PLATE
 - E - ALIGNMENT TAB
 - F - 1/4-20 ACCESS PLATE STUD
 - H - WIRE HARNESS
 - I - JOINT FILM
 - J - REFLECTOR SPRING CLIP
 - K - GRIPPER
 - L - LOCKWASHER
 - M - LOCKNUT



ARR5 LED - OF - ADJUSTABLE CABLE SAFETY AND INSTALLATION INSTRUCTIONS

NOTE:

REFLECTOR ASSEMBLY (A) IS RETAINED IN HOUSING WITH SPRING CLIPS (M). REFLECTOR MAY BE REMOVED TO GAIN DRIVER ACCESS BY GENTLY PULLING THE REFLECTOR DOWN ON ONE END AND THEN DOWN ON THE OTHER END. TETHER WIRES WILL RETAIN REFLECTOR APPROXIMATELY 6" BELOW HOUSING. WHEN REINSTALLING REFLECTOR, TAKE CARE THAT ALL WIRES ARE NOT BEING PINCHED AND APPLY EVEN PRESSURE TO ALL FOUR CORNERS UNTIL IT IS FULLY SEATED WITHIN HOUSING (FIG 5)

