

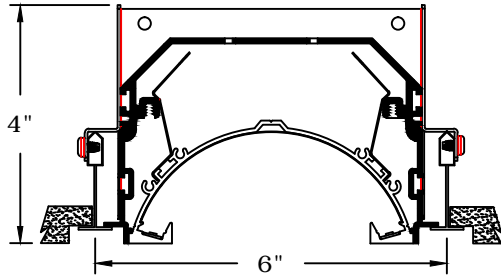
# ARR5 GRID

## SAFETY AND INSTALLATION INSTRUCTIONS

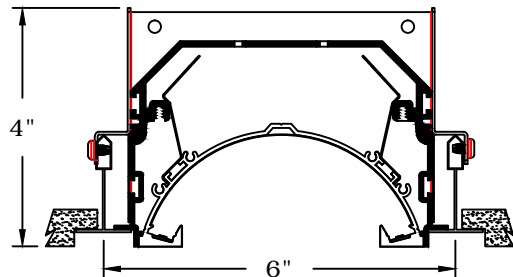
**CAUTION:**

- \* BE CERTAIN THAT POWER TO FIELD WIRING HAS BEEN TURNED OFF PRIOR TO INSTALLATION.
- \* THIS PRODUCT MUST BE INSTALLED IN ACCORDANCE WITH THE APPLICABLE INSTALLATION CODE BY A PERSON FAMILIAR WITH THE CONSTRUCTION AND OPERATION OF THE PRODUCT AND THE HAZARDS INVOLVED.
- \* IT IS INSTALLER'S RESPONSIBILITY TO ENSURE THAT MOUNTING SURFACE IS STRUCTURALLY CAPABLE OF SUPPORTING WEIGHT OF FIXTURE.
- \* BE CERTAIN THAT SUPPLY VOLTAGE IS THE SAME AS THAT MARKED ON FIXTURE.

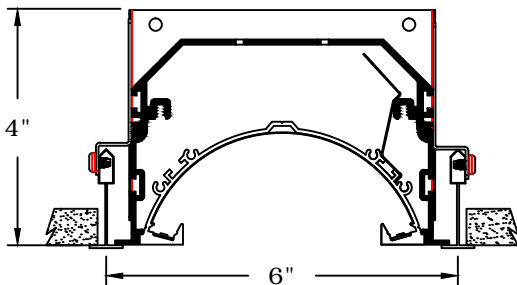
**CE PRODUIT DOIT ÊTRE  
INSTALLÉ SELON LE CODE  
D'INSTALLATION PERTINENT,  
PAR UNE PERSONNE QUI  
CONNAÎT BIEN LE PRODUIT ET  
SON FONCTIONNEMENT AINSI  
QUE LES RISQUES INHÉRENTS.**



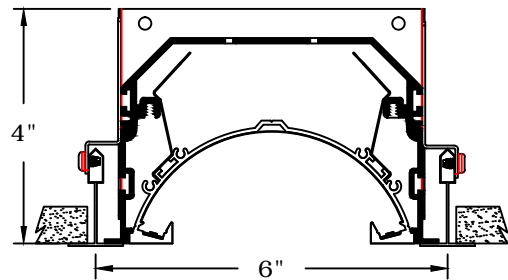
9/16" T-BAR WITH TEGULAR TILE



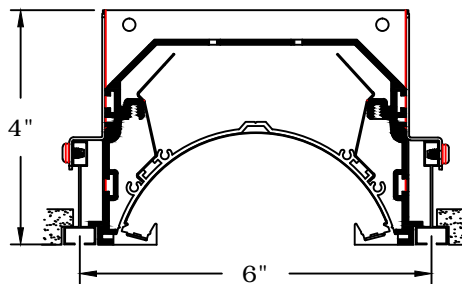
15/16" T-BAR WITH TEGULAR TILE



9/16" T-BAR WITH FLUSH TILE



15/16" T-BAR WITH FLUSH TILE



SCREW SLOT GRID

REFERENCE BACK PAGE FOR INDIVIDUAL FIXTURE INSTALLATION  
REFERENCE CENTER PAGES FOR CONTINUOUS ROW INSTALLATION



**Precision Architectural Lighting** 4830 Timber Creek Drive Houston, Texas 77017  
Tel (713) 946-4343 Fax (713) 946-4441 [www.pal-lighting.com](http://www.pal-lighting.com)

PAL RESERVES THE RIGHT TO CHANGE PRODUCT DESIGN AND SPECIFICATIONS. CONTACT FACTORY FOR MOST RECENT PRODUCT INFORMATION.

3750236-1 2/2022

# ARR5 GRID SAFETY AND INSTALLATION INSTRUCTIONS

## CONTINUOUS ROW INSTALLATION

**NOTE:** A FACTORY SHOP DRAWING IS PROVIDED FOR ALL CONTINUOUS ROW INSTALLATIONS. IF YOU ARE NOT IN POSSESSION OF A DRAWING, CONTACT YOUR LOCAL P.A.L. REPRESENTATIVE OR THE FACTORY TO OBTAIN ONE.

### STEP 1:

CEILING CONTRACTOR MUST PROVIDE AN UNINTERRUPTED OPENING UTILIZING MAIN TEE'S SPACED 6" CENTER TO CENTER, LENGTH AS REQUIRED. MAIN TEE'S SHOULD BE SUITABLY SECURED TO STRUCTURE ABOVE TO SUPPORT WEIGHT OF FIXTURE RUN. CONSULT FACTORY FOR FIXTURE WEIGHTS IF NECESSARY.

### STEP 2:

INSTALL FIRST (END OF ROW) FIXTURE IN ROW OBSERVING MOUNTING INSTRUCTIONS FROM BACK PAGE. DO **NOT** MAKE FINAL ATTACHMENT OF SAFETY BRACKETS (C) TO GRID AT THIS POINT.

### STEP 3:

POSITION THE NEXT FIXTURE SUCH THAT THE ALIGNMENT TABS (G) (REF. FIG. 4) FIT INTO THE FIRST FIXTURE. MAKE CONNECTION OF THE WIRE HARNESS (H) AND PUSH EXCESS WIRE BACK INTO FIXTURE. MAKE SURE THAT WIRE IS NOT PINCHED BETWEEN JOINT AND SLIDE FIXTURES TOGETHER. INSTALL NUTS AND BOLTS (J) ONTO CROSS BRACES (F) AND TIGHTEN SECURELY PULLING THE TWO FIXTURES TIGHTLY TOGETHER. ADJUST SAFETY BRACKETS (C) INTO POSITION FOR ATTACHMENT TO "TEE" AT A LATER TIME.

### STEP 4:

REPEAT STEP (3) AS REQUIRED TO COMPLETE ROW AS INDICATED ON FACTORY SHOP DRAWINGS SUPPLIED.

### STEP 5:

CONFIRM ALIGNMENT AND FIXTURE SPLICE POINTS FOR PROPER FIT. ATTACH SAFETY BRACKETS (C) TO GRID ( IF REQUIRED BY CODE).

### STEP 6:

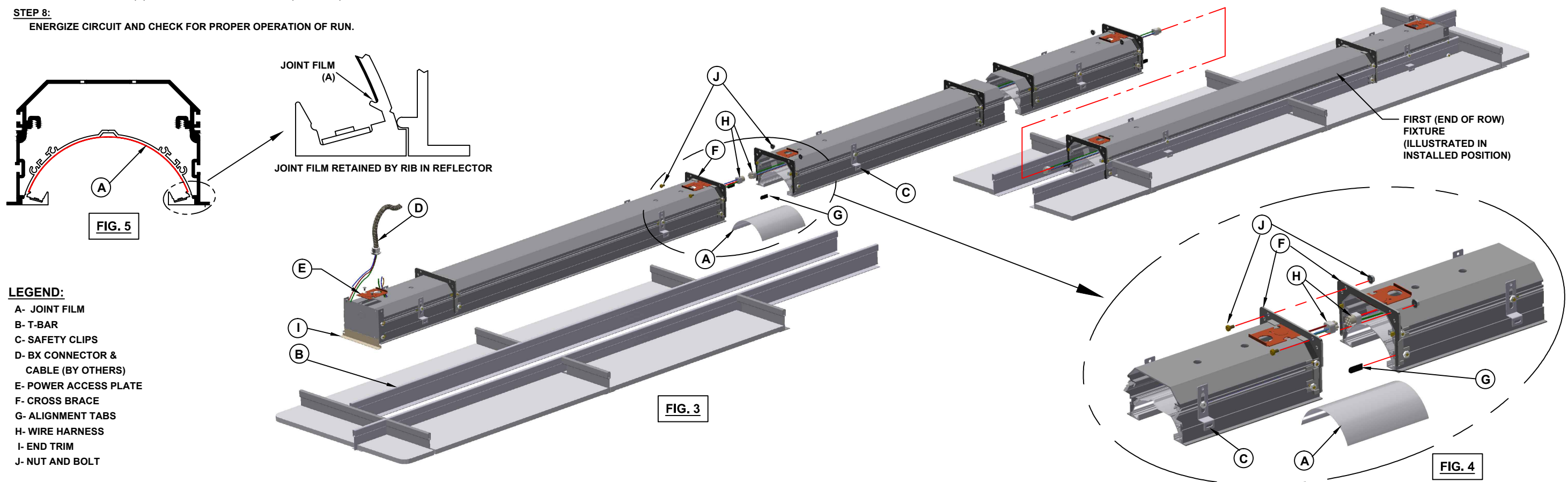
REMOVE ACCESS PLATE (E) AT DESIGNATED FEED LOCATION AND PULL FIXTURE LEADS OUT THROUGH OPENING. REMOVE KNOCK-OUT FROM ACCESS PLATE AND INSTALL CONDUIT FEED CONNECTOR (D) TO ACCESS PLATE. ATTACH GROUND WIRE TO INSIDE OF ACCESS PLATE AND MAKE OTHER WIRE CONNECTIONS MAINTAINING COLOR CODING OF WIRES. PUSH EXCESS WIRE INTO FIXTURE AND SECURE ACCESS PLATE TO HOUSING INSURING THAT WIRES ARE NOT PINCHED BETWEEN FIXTURE AND ACCESS PLATE. (REF. FIG.3 & FIG. 4)

### STEP 7:

INSTALL JOINT FILM (A) SUCH THAT IT SPANS JOINT. (FIG. 4 & 5)

### STEP 8:

ENERGIZE CIRCUIT AND CHECK FOR PROPER OPERATION OF RUN.



### LEGEND:

- A- JOINT FILM
- B- T-BAR
- C- SAFETY CLIPS
- D- BX CONNECTOR & CABLE (BY OTHERS)
- E- POWER ACCESS PLATE
- F- CROSS BRACE
- G- ALIGNMENT TABS
- H- WIRE HARNESS
- I- END TRIM
- J- NUT AND BOLT



# ARR5 GRID

## SAFETY AND INSTALLATION INSTRUCTIONS

**STEP 1:**  
 MODIFY IF NECESSARY AND MOUNT A 2' OR 4' (AS REQUIRED) LENGTH OF T-BAR (B) ON CENTERS AS INDICATED BELOW FROM EXISTING T-BAR. (FIG. 1)

**STEP 2:**  
 RAISE FIXTURE ABOVE CEILING AND LOWER INTO 6" WIDE GRID MODULE.

**STEP 3:**  
 LOOSEN LOCK NUTS AND ADJUST SAFETY CLIPS (C) SO THAT THEY ARE APPROXIMATELY 2" FROM EACH END OF FIXTURE AND RESTING ON TOP OF T-BAR. TIGHTEN LOCK NUTS SECURELY. (REF FIG.1) NOTE THAT T-BAR SAFETY CLIPS MAY BE SCREWED TO T-BAR IF REQUIRED BY LOCAL CODE. (FASTENERS PROVIDED BY OTHERS)

**STEP 4:**  
 REMOVE ACCESS PLATE (E) AND PULL FIXTURE LEADS OUT THROUGH OPENING. REMOVE KNOCK-OUT FROM ACCESS PLATE AND INSTALL CONDUIT FEED CONNECTOR (D) TO ACCESS PLATE. ATTACH GROUND WIRE TO INSIDE OF ACCESS PLATE AND MAKE OTHER WIRE CONNECTIONS MAINTAINING COLOR CODING OF WIRES. PUSH EXCESS WIRE INTO FIXTURE HOUSING AND SECURE ACCESS PLATE TO HOUSING INSURING THAT WIRES ARE NOT PINCHED BETWEEN FIXTURE AND ACCESS PLATE. (REF. FIG. 2)

**NOTE:** REFLECTOR ASSEMBLY (A) IS RETAINED IN HOUSING WITH SPRING CLIPS (F). REFLECTOR MAY BE REMOVED TO GAIN DRIVER ACCESS BY GENTLY PULLING THE REFLECTOR DOWN ON ONE END AND THEN THE OTHER END. TETHER WIRES WILL RETAIN REFLECTOR APPROXIMATELY 6" BELOW HOUSING. WHEN RE-INSTALLING REFLECTOR, TAKE CARE THAT ALL WIRES ARE NOT BEING PINCHED AND APPLY EVEN PRESSURE TO ALL FOUR CORNERS UNTIL IT IS FULLY SEATED WITHIN HOUSING.

**STEP 5:**  
 ENERGIZE CIRCUIT AND CHECK FOR PROPER OPERATION OF FIXTURE.

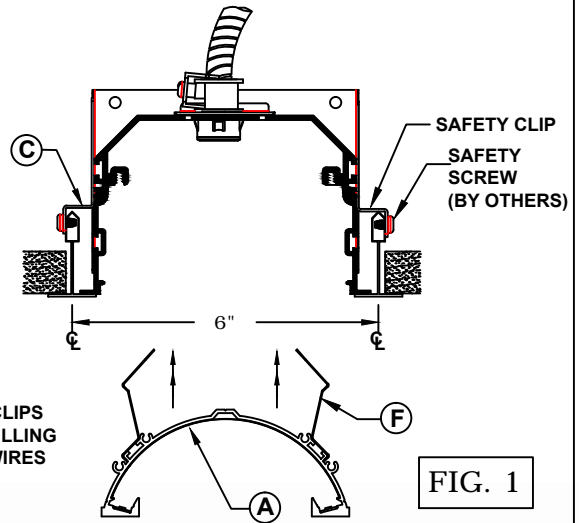


FIG. 1

SECTION VIEW - NO SCALE

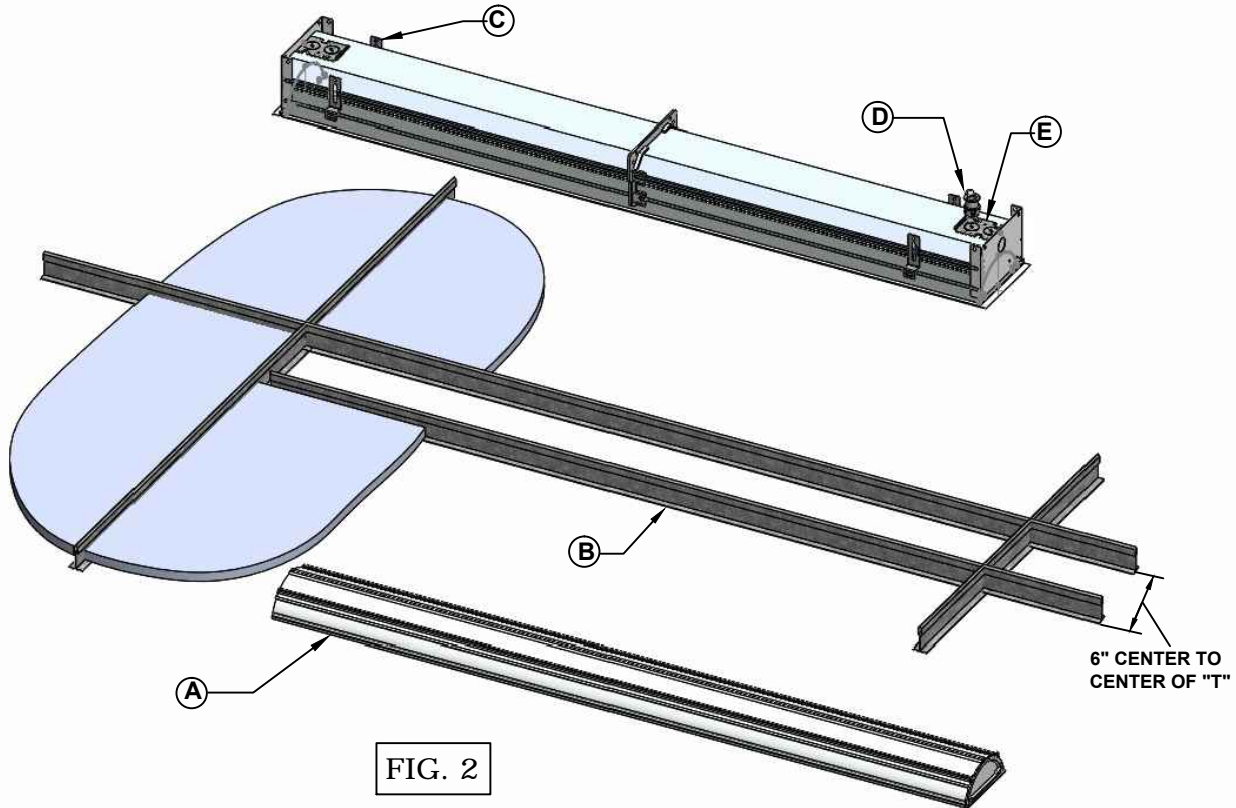


FIG. 2

