

AS350™ - Wall or Flush Mount Series



Catalog Number	Type
Project Name	

Lighted Horizontal Corners - Wall or Flush Mount

S P E C I F I C A T I O N S

Housing

One-piece .080" thick extruded aluminum, mitered and secured together to form nominal 1' X 1' continuously lit 90° corner.

Finish

Standard and premium finishes are baked powder coat electrostatically applied (2.0 mil minimum thickness) to assure aesthetics and durability.

Optical Control

(Lenses mitered to provide a continuous transition through the corner.)

(LOH) LED optimized high transmittance acrylic snap-in lens.

Reflector/Heat Sink

.040" thick die-formed aluminum finished with a high reflectance white enamel.

Circuitry

All corner assemblies are factory pre-wired for a single circuit.

Wiring

All corner assemblies are provided with factory installed quick-connect wiring.

Certification

All corner assemblies are ETL listed for use in 'Dry or Damp' Locations.

Driver (Standard)

Osram-Sylvania "Optotronic" power supply is UL/CUL recognized, 0-10V dimming available, 120-277 universal voltage. 347V is available.

Light Engine (Standard)

LED light source available standard for 3000K, 3500K and 4000K CCT, in high and medium light outputs, and 80 or 90 CRI. Standard outputs available:

HO - High Output

MO - Medium Output

(See fixture specification sheet for Delivered Lumens, Power Consumption (Watts), and Efficacies (Lm/W).

Driver (Tunable White)

EldoLED power supply is UL recognized, DALI, 0-10V or DMX available, 120-277 universal voltage.

Light Engine (Tunable White)

Tunable White LED light source available for 2700K thru 6500K CCT, and 80 or 90 CRI. Contact factory for available outputs.

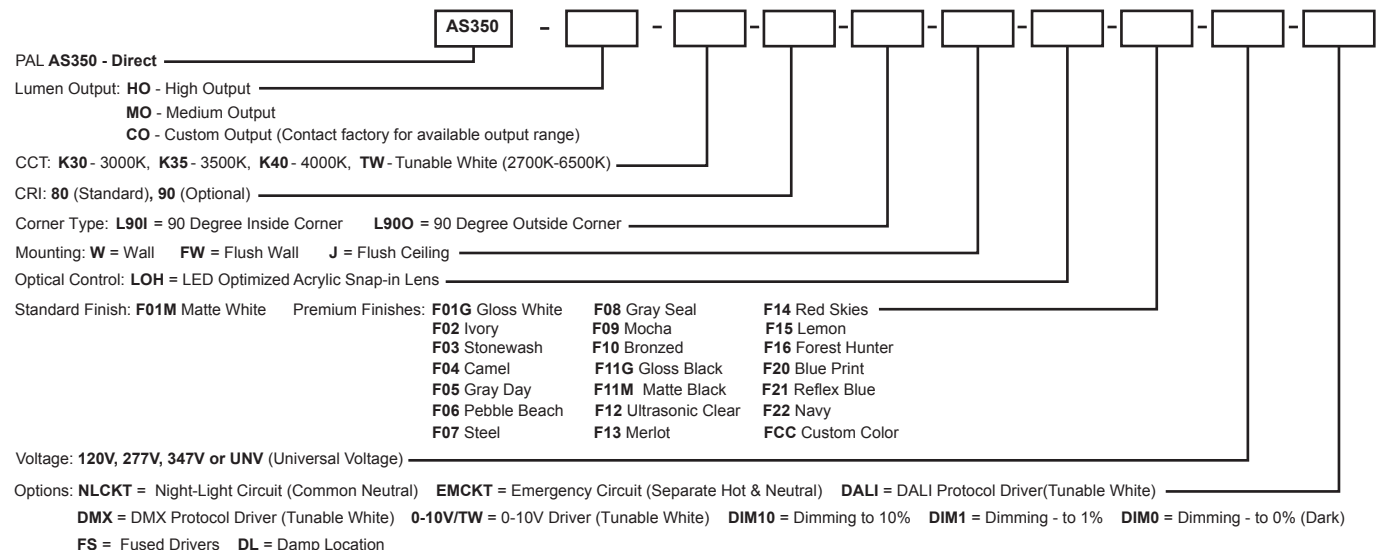
*Due to continued advancement in LED technology, lumen performance is subject to change. Please visit our website for the most up-to-date information.



Horizontal extruded aluminum 90° corners are available for use when fixture patterns are desired. AS350 corners are available in nominal 1' X 1' long continuously lit configurations.

See reverse for dimensions.

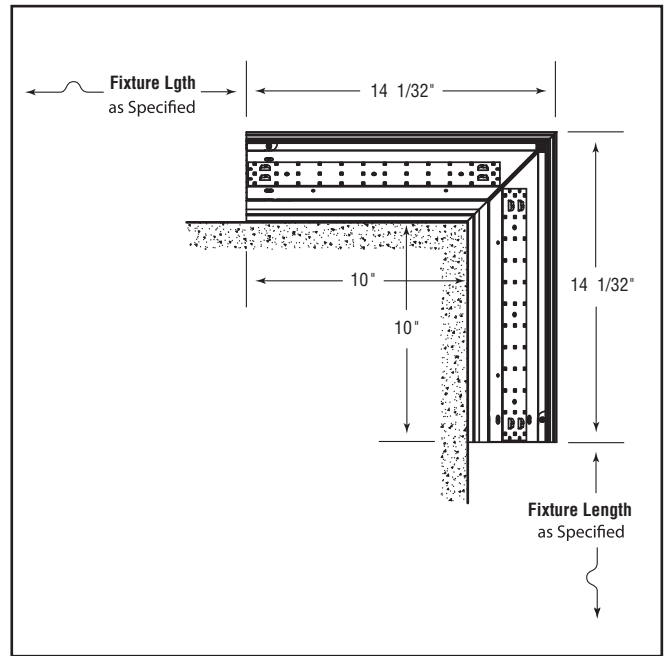
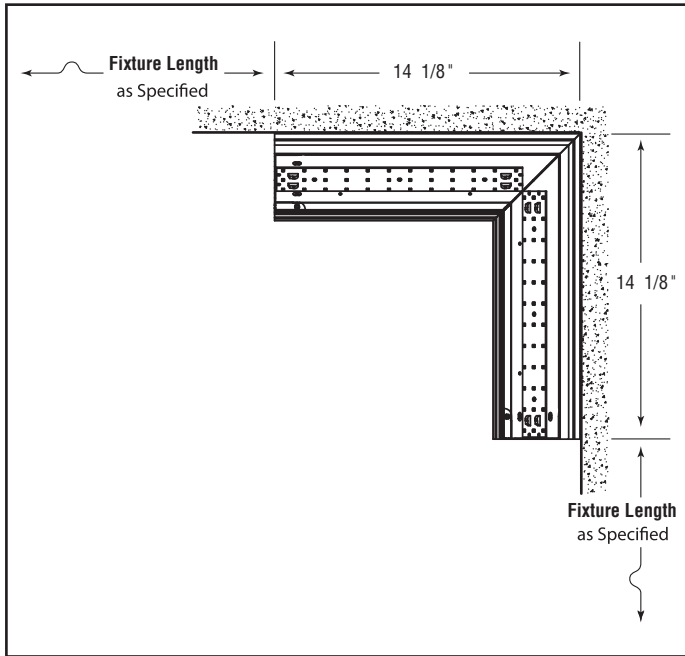
Sample Catalog Number: **AS350 - HO - K40 - 80 - L90I - W - LOH - F01M - 120 - DIM10**



AS350 Series Wall Mount

Lighted Horizontal Corner - Inside Miter

Lighted Horizontal Corner - Outside Miter



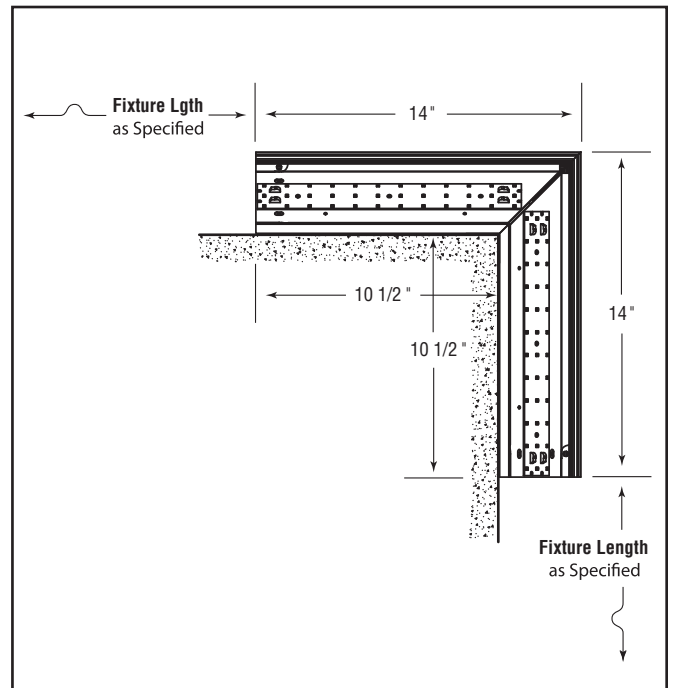
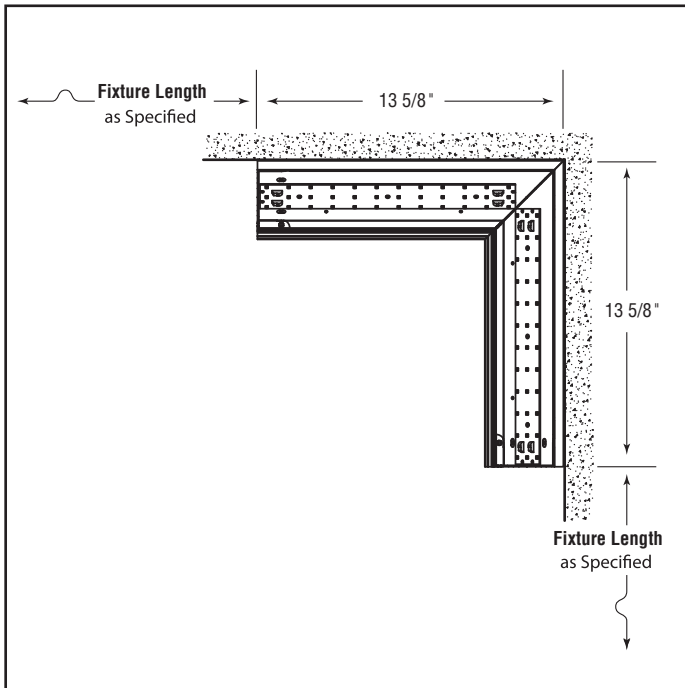
Lighted Inside Miter Horizontal Corner
Medium or High Output LED (Contact Factory for Custom Outputs)

Lighted Outside Miter Horizontal Corner
Medium or High Output LED (Contact Factory for Custom Outputs)

AS350 Series Flush Wall or Flush Ceiling Mount

Lighted Horizontal Corner - Inside Miter

Lighted Horizontal Corner - Outside Miter



Lighted Inside Miter Horizontal Corner
Medium or High Output LED (Contact Factory for Custom Outputs)

Lighted Outside Miter Horizontal Corner
Medium or High Output LED (Contact Factory for Custom Outputs)

Consult Factory for exact luminaire placement.



Precision Architectural Lighting 4830 Timber Creek Drive Houston, Texas 77017
Tel 713.946.4343 Fax 713.946.4441 www.pal-lighting.com



Made in America