

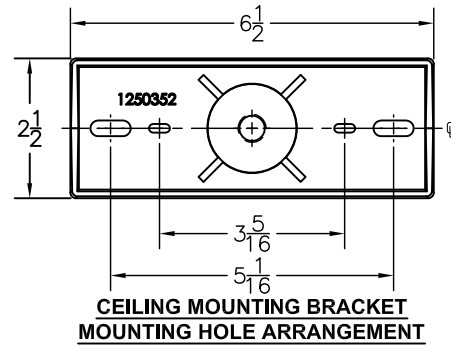
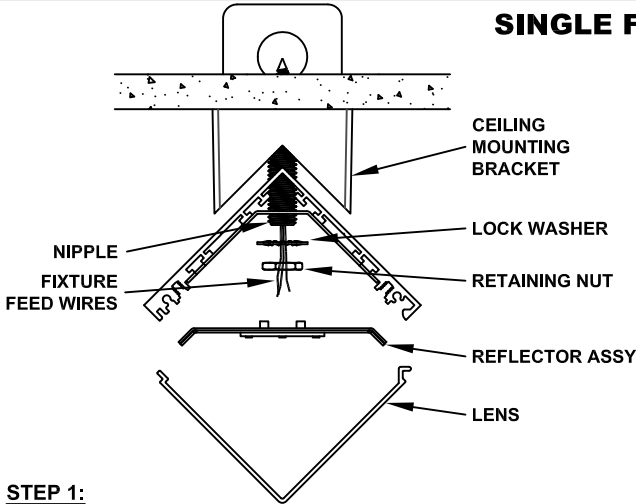
AS350 DIAMOND CEILING MTG OPTION SAFETY AND INSTALLATION INSTRUCTIONS

CAUTION:

- * BE CERTAIN THAT POWER TO FIELD WIRING HAS BEEN TURNED OFF PRIOR TO INSTALLATION.
- * THIS PRODUCT MUST BE INSTALLED IN ACCORDANCE WITH THE APPLICABLE INSTALLATION CODE BY A PERSON FAMILIAR WITH THE CONSTRUCTION AND OPERATION OF THE PRODUCT AND THE HAZARDS INVOLVED.
- * IT IS INSTALLER'S RESPONSIBILITY TO ENSURE THAT MOUNTING SURFACE IS STRUCTURALLY CAPABLE OF SUPPORTING WEIGHT OF FIXTURE.
- * BE CERTAIN THAT SUPPLY VOLTAGE IS THE SAME AS THAT MARKED ON FIXTURE.

CE PRODUIT DOIT ÊTRE INSTALLÉ SELON LE CODE D'INSTALLATION PERTINENT, PAR UNE PERSONNE QUI CONNAÎT BIEN LE PRODUIT ET SON FONCTIONNEMENT AINSI QUE LES RISQUES INHÉRENTS.

SINGLE FIXTURE INSTALLATION



STEP 1:
USING CEILING MOUNTING BRACKET AS A TEMPLATE, CENTER BRACKET OVER HORIZONTALLY MOUNTED SWITCH BOX AND MARK (2) MOUNTING HOLES. USE STRAIGHT EDGE TO ALIGN MOUNTING BRACKETS. (FIG. 1) DRILL HOLES APPROPRIATE FOR MOUNTING SURFACE AND FASTENERS TO BE USED. PASS FIXTURE FEED WIRES THROUGH NIPPLE IN MOUNTING BRACKET AT FEED LOCATION AND SECURELY ATTACH MOUNTING BRACKET TO CEILING.

STEP 2:
ATTACH ADDITIONAL CEILING MOUNTING BRACKET(S) TO MOUNTING SURFACE AT LOCATION(S) AS SPECIFIED ON FACTORY SHOP DRAWING. TAKE CARE TO INSURE THAT CEILING MOUNTING BRACKETS ARE ALIGNED AND ON SAME CENTER LINE AS FIRST ONE INSTALLED. CEILING MOUNTING BRACKETS SHOULD BE CENTERED WITH EVERY MOUNTING HOLE IN FIXTURE HOUSING AS INDICATED ON SHOP DRAWING. CONSULT FACTORY OR YOUR PAL REPRESENTATIVE IF YOU ARE NOT IN POSSESSION OF FACTORY SHOP DRAWING.

STEP 3:
REMOVE LENS AND REFLECTOR TO EXPOSE FIXTURE FEED WIRES. CONNECT INCOMING SUPPLY WIRES TO FIXTURE WIRES USING 90°C MINIMUM RATED SUPPLY WIRES AND CONNECTORS. ALL WIRE CONNECTIONS SHOULD BE MADE INSIDE FIXTURE HOUSING.

STEP 4:
FIT FIXTURE OVER NIPPLES IN MOUNTING BRACKETS AND HOLD FIXTURE AGAINST CEILING. CHECK TO ENSURE THAT EXCESS WIRE LEADS ARE NOT PINCHED AND ARE WITHIN THE CONFINES OF THE FIXTURE HOUSING. INSTALL LOCK WASHER AND RETAINING NUT AND TIGHTEN ONLY ENOUGH TO HOLD FIXTURE SNUG AGAINST CEILING MOUNTING BRACKET. (FIG. 2)

STEP 5:
CAREFULLY REPLACE REFLECTOR AND LENS. ENERGIZE CIRCUIT AND CHECK FOR PROPER OPERATION.

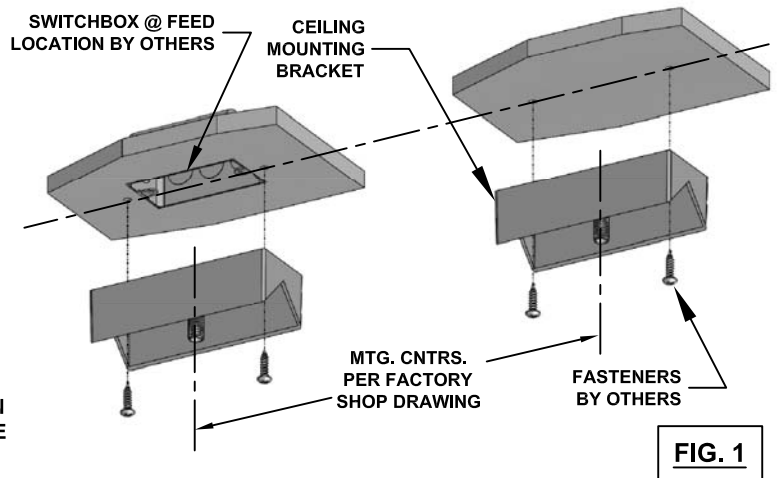


FIG. 1

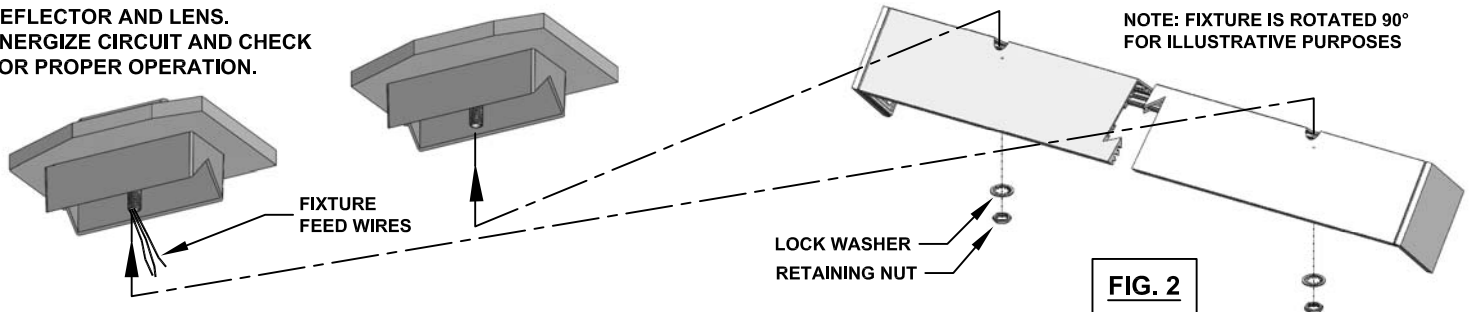


FIG. 2



AS350 DIAMOND CEILING MTG OPTION SAFETY AND INSTALLATION INSTRUCTIONS

ROW INSTALLATION

CAUTION:

DO NOT ATTEMPT TO ASSEMBLE FIXTURE ROWS ON GROUND THEN LIFT INTO POSITION. ATTEMPTING TO ASSEMBLE & INSTALL FIXTURES IN THIS MANNER MAY CREATE STRESS AT CONNECTIONS RESULTING IN DAMAGE AND/OR MECHANICAL FAILURE.

STEP 1:

FROM CENTER LINE OF HORIZONTALLY MOUNTED SWITCH BOX(ES), SNAP A HORIZONTAL CHALK LINE ON CEILING APPROXIMATELY FULL LENGTH OF FIXTURE ROW TO BE INSTALLED..

STEP 2:

ATTACH CEILING MOUNTING BRACKETS, AS INSTRUCTED ON OPPOSITE PAGE AND ON CENTERS AS SPECIFIED ON SHOP DRAWING, USING CHALK LINE AS CENTER LINE GUIDE. (FIG.3)

STEP 3:

REMOVE LENS & REFLECTORS TO EXPOSE FIXTURE FEED WIRES AND JOINTS. INSTALL FIRST (END) FIXTURE IN ROW AS INSTRUCTED ON OPPOSITE PAGE. LEAVE RETAINING NUTS ON ALL FIXTURES LOOSE AT THIS TIME.

STEP 4:

POSITION NEXT FIXTURE SUCH THAT HOLES IN CROSS BRACES ALIGN, AS ILLUSTRATED BELOW. (FIG 4) PLUG FIXTURE WIRE HARNESSES TOGETHER AND PUSH EXCESS WIRE BACK INTO FIXTURE WIREWAY.

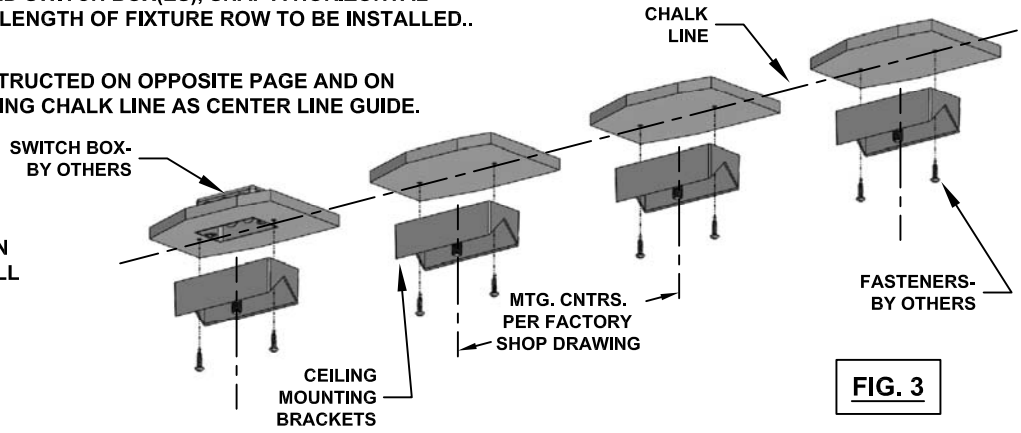


FIG. 3

STEP 5:

KEEP ALL FIXTURE RETAINING NUTS LOOSE AT THIS TIME AND USE FREE PLAY AT MOUNTING BRACKETS TO CAREFULLY ALIGN SPLICES WITH SECOND FIXTURE. GENTLY PUSH FIXTURES TOGETHER AND THEN ONTO MOUNTING BRACKET NIPPLE(S). ALIGNMENT SPLICES SHOULD SPAN JOINT ONCE FIXTURES ARE BUTTED TIGHTLY TOGETHER. INSTALL SECOND FIXTURE RETAINING NUTS (LOOSELY).

NOTE:

MAKE SURE EXCESS WIRE FROM WIRE HARNESS IS PUSHED BACK INTO FIXTURE WIREWAY CHAMBER AND IS NOT 'PINCHED' BETWEEN FIXTURES.

STEP 6:

SECURE FIXTURES TOGETHER WITH 1/4-20 CARRIAGE BOLTS & NUTS PROVIDED.

STEP 7:

CONTINUE TO INSTALL & ASSEMBLE FIXTURE ROW FOLLOWING STEPS 4 THROUGH 6.

STEP 8:

ONCE ALL FIXTURES IN ROW ARE INSTALLED, TIGHTEN RETAINING NUTS ON ALL FIXTURES ONLY SNUG ENOUGH TO HOLD FIXTURE SNUG AGAINST CEILING MOUNTING BRACKETS.

STEP 9:

CAREFULLY REPLACE REFLECTOR AND LENS. ENERGIZE CIRCUIT AND CHECK FOR PROPER OPERATION.

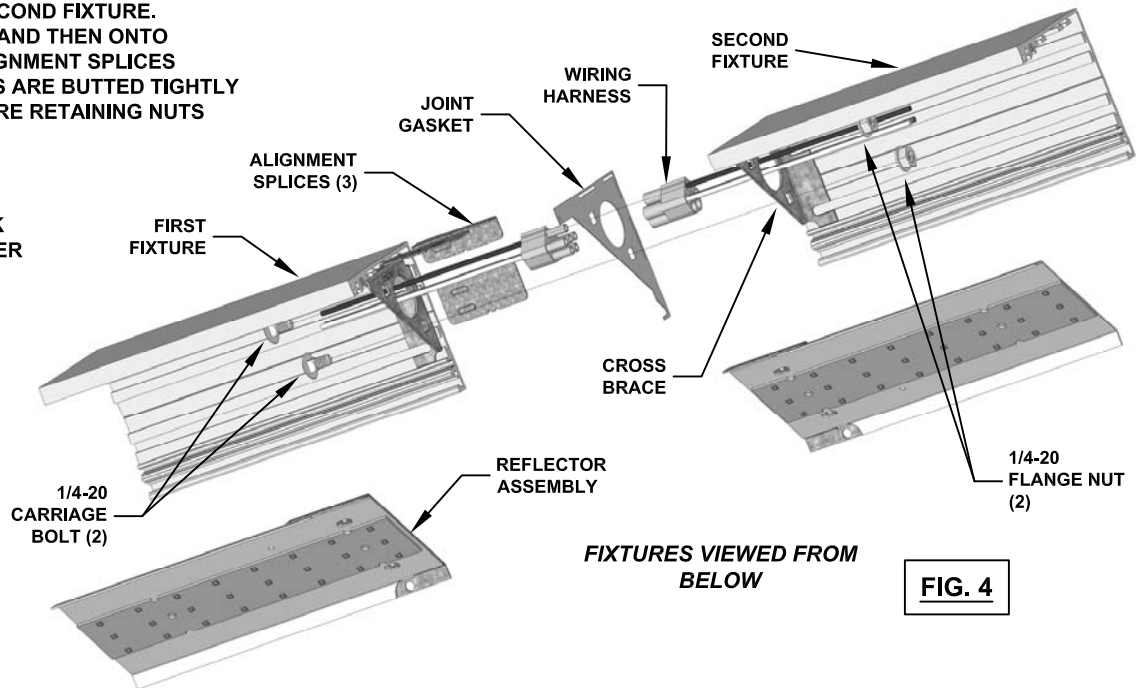


FIG. 4

