

SAFETY AND INSTALLATION INSTRUCTIONS

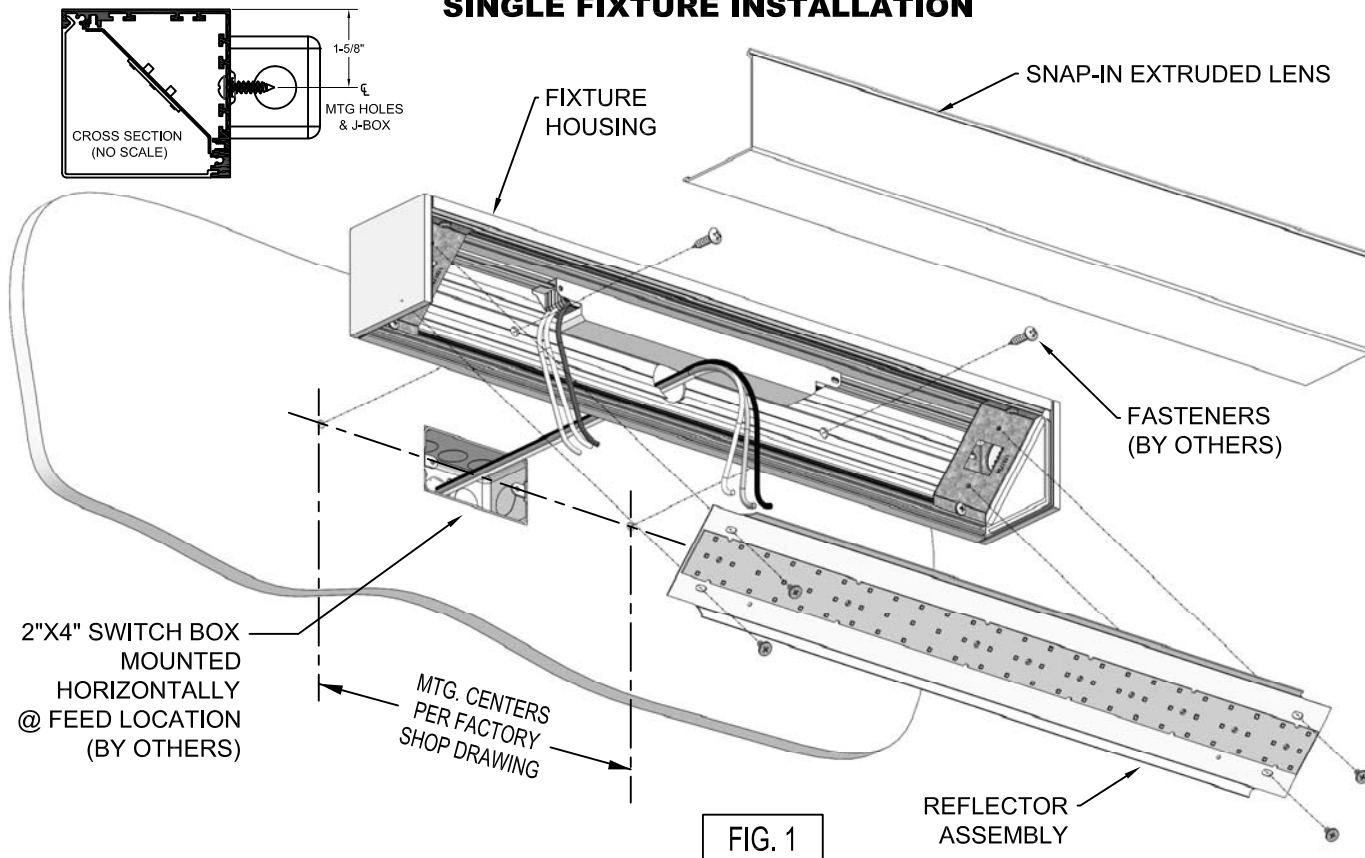
AS350 FLUSH WALL MOUNT

CAUTION:

- * BE CERTAIN THAT POWER TO FIELD WIRING HAS BEEN TURNED OFF PRIOR TO INSTALLATION.
- * THIS PRODUCT MUST BE INSTALLED IN ACCORDANCE WITH THE APPLICABLE INSTALLATION CODE BY A PERSON FAMILIAR WITH THE CONSTRUCTION AND OPERATION OF THE PRODUCT AND THE HAZARDS INVOLVED.
- * IT IS INSTALLER'S RESPONSIBILITY TO ENSURE THAT MOUNTING SURFACE IS STRUCTURALLY CAPABLE OF SUPPORTING WEIGHT OF FIXTURE.
- * BE CERTAIN THAT SUPPLY VOLTAGE IS THE SAME AS THAT MARKED ON FIXTURE.

CE PRODUIT DOIT ÊTRE
INSTALLÉ SELON LE CODE
D'INSTALLATION PERTINENT,
PAR UNE PERSONNE QUI
CONNAÎT BIEN LE PRODUIT
ET SON FONCTIONNEMENT
AINSI QUE LES RISQUES
INHÉRENTS.

SINGLE FIXTURE INSTALLATION



STEP 1:

FROM CENTER LINE OF HORIZONTALLY MOUNTED SWITCH BOX(ES), SNAP A HORIZONTAL CHALK LINE ON WALL APPROXIMATELY FULL LENGTH OF FIXTURE TO BE INSTALLED. (FIG. 1) DRILL HOLES ON CENTERS INDICATED ON SHOP DRAWING APPROPRIATE FOR MOUNTING SURFACE AND FASTENERS TO BE USED.

STEP 2:

REMOVE SNAP-IN LENS (PULL OUT FROM BOTTOM - ROTATE LENS UP - PULL AWAY FROM FIXTURE). REMOVE REFLECTOR MOUNTING SCREWS AND ALLOW REFLECTOR ASSEMBLY TO HANG. THIS WILL EXPOSE FIXTURE MOUNTING HOLES.

STEP 3:

ROUTE WIRES INTO FIXTURE WIREWAY AT FEED POINT. ALIGN FIXTURE WITH CHALK LINE AND SWITCHBOX AND MOUNT FIXTURE TO WALL USING APPROPRIATE FASTENERS (BY OTHERS).

STEP 4:

COMPLETE FEED CONNECTION INSIDE FIXTURE WITH MIN. 90°C WIRES & CONNECTORS. REPLACE REFLECTOR(S). INSERT LENS (ENGAGE TOP LIP FIRST - ROTATE DOWN - INSERT BOTTOM TAB IN HOUSING). ENERGIZE CIRCUIT AND VERIFY PROPER OPERATION.

REFERENCE BACK OF PAGE FOR ROW INSTALLATION.



Precision Architectural Lighting

Tel (713) 946-4343 Fax (713) 946-4441 www.palighting.com

4830 Timber Creek Drive Houston, Texas 77017

PAL RESERVES THE RIGHT TO CHANGE PRODUCT DESIGN AND SPECIFICATIONS. CONTACT FACTORY FOR MOST RECENT PRODUCT INFORMATION.

3750190-1 10/18

SAFETY AND INSTALLATION INSTRUCTIONS

AS350 FLUSH WALL MOUNT

ROW INSTALLATION

CAUTION:

DO NOT ATTEMPT TO ASSEMBLE FIXTURE ROWS ON GROUND AND THEN LIFT INTO POSITION. ATTEMPTING TO ASSEMBLE AND INSTALL FIXTURES IN THIS MANNER MAY CREATE STRESS AT CONNECTIONS RESULTING IN DAMAGE AND/OR MECHANICAL FAILURE.

STEP 1:

FROM CENTER LINE OF HORIZONTALLY MOUNTED SWITCH BOX(ES), SNAP A HORIZONTAL CHALK LINE ON WALL APPROXIMATELY FULL LENGTH OF FIXTURE ROW TO BE INSTALLED. (FIG. 2) DRILL HOLES ON CENTERS INDICATED ON SHOP DRAWING APPROPRIATE FOR MOUNTING SURFACE AND FASTENERS TO BE USED.

STEP 2:

REMOVE SNAP-IN LENSES (PULL OUT FROM BOTTOM - ROTATE LENS UP - PULL AWAY FROM FIXTURE). REMOVE REFLECTOR MOUNTING SCREWS AND ALLOW REFLECTOR ASSEMBLY TO HANG. THIS WILL EXPOSE FIXTURE MOUNTING HOLES AND JOINING HARDWARE. REMOVE AND SAVE JOINING HARDWARE.

STEP 3:

INSTALL FIRST (END) FIXTURE IN ROW AS INSTRUCTED ON PREVIOUS PAGE.

STEP 4:

POSITION NEXT FIXTURE SO THAT IT ALIGNS WITH PREVIOUS FIXTURE AND PLUG WIRING HARNESES TOGETHER. (FIG. 3) EXCESS WIRE SHOULD BE ROUTED INTO FIXTURE WIREWAY.

STEP 5:

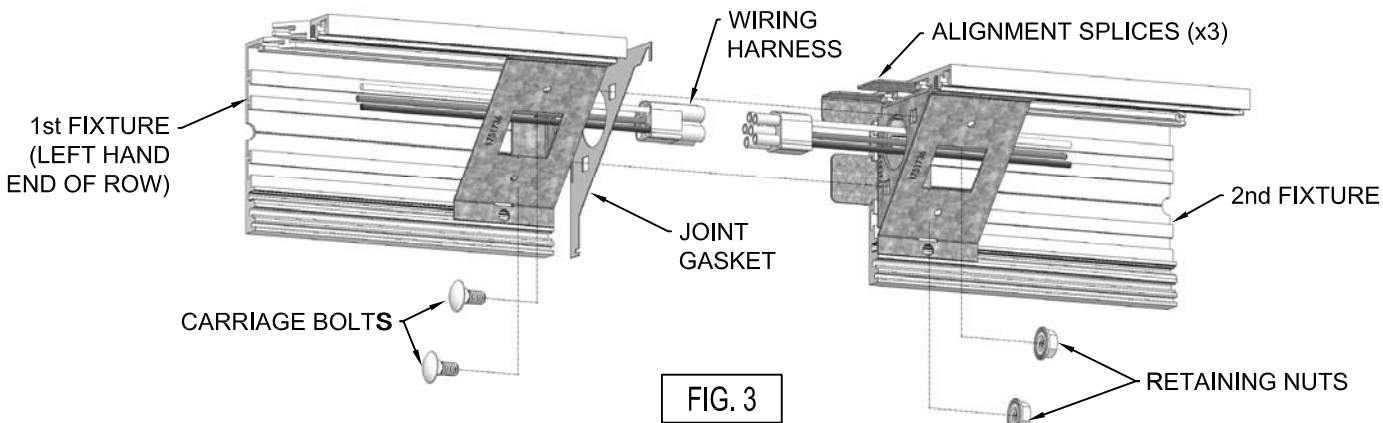
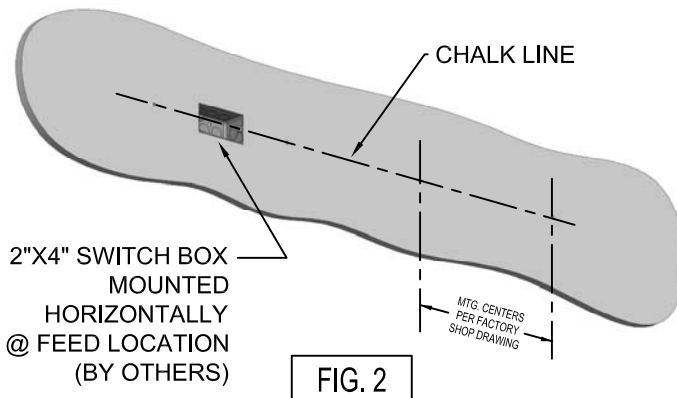
PUSH FIXTURES TIGHTLY TOGETHER MAKING SURE THAT THE ALIGNMENT SPLICES SLIDE INTO THE INTERIOR TRACKS OF EACH FIXTURE HOUSING AND SPAN THE FIXTURE JOINT. MAKE SURE NO WIRES ARE PINCHED BETWEEN HOUSINGS. MOUNT FIXTURE TO WALL BUT DO NOT TIGHTEN. SECURE JOINT WITH 1/4-20 CARRIAGE BOLTS AND RETAINING NUTS PROVIDED (FROM STEP 2). TIGHTEN FIXTURE MOUNTING FASTENERS TO SECURE FIXTURE SNUG AGAINST WALL.

STEP 6:

CONTINUE TO INSTALL AND ASSEMBLE REMAINING FIXTURES IN ROW FOLLOWING STEPS 4 & 5 ABOVE.

STEP 7:

ONCE ALL FIXTURES IN ROW ARE INSTALLED, MAKE WIRE CONNECTIONS AT FEED POINT AND REPLACE REFLECTORS AND LENSES. ENERGIZE CIRCUIT AND VERIFY PROPER OPERATION.



REFERENCE FRONT PAGE FOR SINGLE FIXTURE INSTALLATION.

