

SAFETY AND INSTALLATION INSTRUCTIONS

AR300 WALL MOUNT

CAUTION:

- * BE CERTAIN THAT POWER TO FIELD WIRING HAS BEEN TURNED OFF PRIOR TO INSTALLATION.
- * THIS PRODUCT MUST BE INSTALLED IN ACCORDANCE WITH THE APPLICABLE INSTALLATION CODE BY A PERSON FAMILIAR WITH THE CONSTRUCTION AND OPERATION OF THE PRODUCT AND THE HAZARDS INVOLVED.
- * IT IS INSTALLER'S RESPONSIBILITY TO ENSURE THAT MOUNTING SURFACE IS STRUCTURALLY CAPABLE OF SUPPORTING WEIGHT OF FIXTURE.
- * BE CERTAIN THAT SUPPLY VOLTAGE IS THE SAME AS THAT MARKED ON FIXTURE.

CE PRODUIT DOIT ÊTRE INSTALLÉ SELON LE CODE D'INSTALLATION PERTINENT, PAR UNE PERSONNE QUI CONNAÎT BIEN LE PRODUIT ET SON FONCTIONNEMENT AINSI QUE LES RISQUES INHÉRENTS.

SINGLE FIXTURE INSTALLATION

STEP 1:

USING WALL CLEAT AS A TEMPLATE, CENTER OVER HORIZONTALLY MOUNTED SWITCH BOX AND MARK (2) MOUNTING HOLES. USE LEVEL TO PLUMB WALL CLEAT. (FIG. 1) DRILL HOLES APPROPRIATE FOR MOUNTING SURFACE AND FASTENERS TO BE USED. SECURELY ATTACH WALL CLEAT TO WALL.

STEP 2:

ATTACH ADDITIONAL WALL CLEAT(S) TO MOUNTING SURFACE AND LOCATION(S) AS SPECIFIED ON FACTORY SHOP DRAWING. TAKE CARE TO ENSURE THAT WALL CLEATS ARE PLUMB AND ON SAME CENTER LINE AS FIRST CLEAT INSTALLED. WALL CLEATS SHOULD BE CENTERED OVER EVERY SET SCREW IN FIXTURE HOUSING AS INDICATED ON SHOP DRAWING. CONSULT FACTORY OR YOUR PAL REPRESENTATIVE IF YOU ARE NOT IN POSSESSION OF FACTORY SHOP DRAWING.

STEP 3:

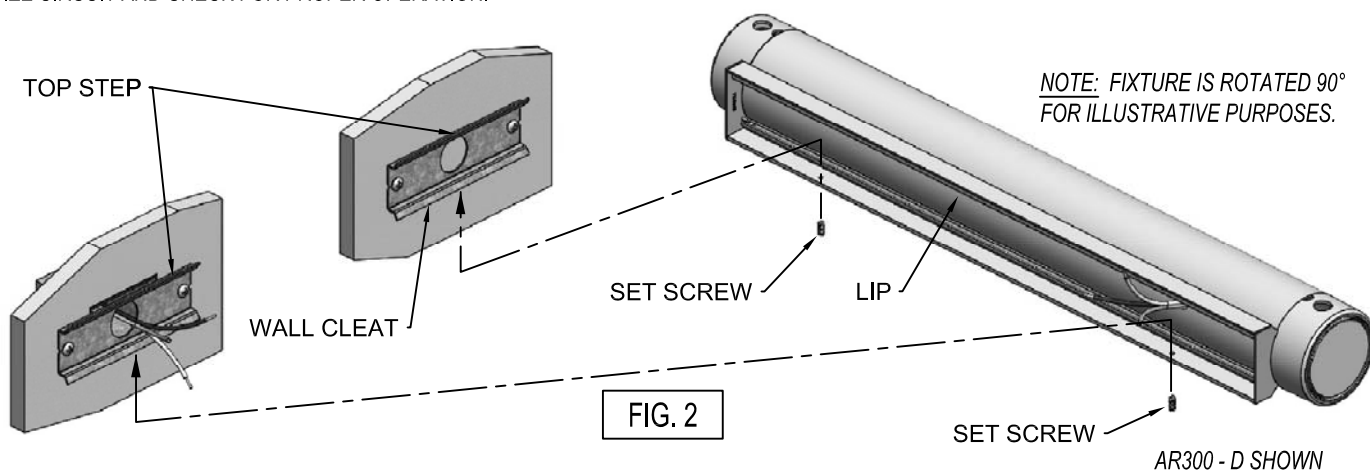
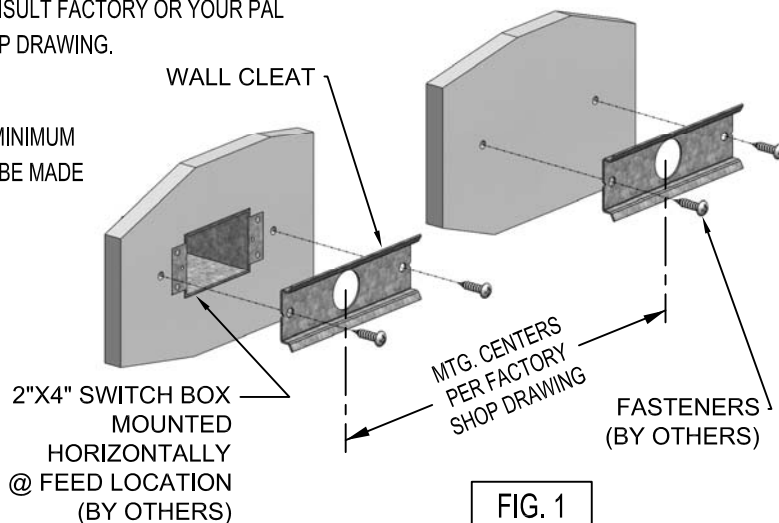
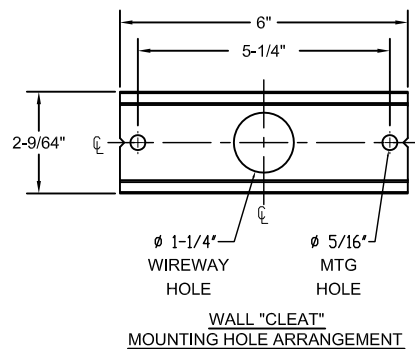
CONNECT INCOMING SUPPLY WIRES TO FIXTURE WIRES USING 90°C MINIMUM RATED WIRES AND CONNECTORS. ALL WIRE CONNECTIONS SHOULD BE MADE WITHIN FIXTURE WIREWAY.

STEP 4:

HOOK LIP OF FIXTURE HOUSING OVER TOP STEP OF WALL CLEATS AND HOLD FIXTURE AGAINST WALL. CHECK TO ENSURE THAT EXCESS LEADS ARE NOT PINCHED AND ARE WITHIN THE CONFINES OF THE FIXTURE WIREWAY. INSTALL SET SCREWS AND TIGHTEN ONLY ENOUGH TO HOLD FIXTURE SNUG AGAINST WALL. (FIG. 2)

STEP 5:

ENERGIZE CIRCUIT AND CHECK FOR PROPER OPERATION.



REFERENCE BACK OF PAGE FOR ROW INSTALLATION.



Precision Architectural Lighting

Tel (713) 946-4343 Fax (713) 946-4441 www.palighting.com

4830 Timber Creek Drive Houston, Texas 77017

PAL RESERVES THE RIGHT TO CHANGE PRODUCT DESIGN AND SPECIFICATIONS. CONTACT FACTORY FOR MOST RECENT PRODUCT INFORMATION.

3750189-1 6/18

SAFETY AND INSTALLATION INSTRUCTIONS

AR300 WALL MOUNT

ROW INSTALLATION

CAUTION:

DO NOT ATTEMPT TO ASSEMBLE FIXTURE ROWS ON GROUND AND THEN LIFT INTO POSITION. ATTEMPTING TO ASSEMBLE AND INSTALL FIXTURES IN THIS MANNER MAY CREATE STRESS AT CONNECTIONS RESULTING IN DAMAGE AND/OR MECHANICAL FAILURE.

STEP 1:

FROM CENTER LINE OF HORIZONTALLY MOUNTED SWITCH BOX(ES), SNAP A HORIZONTAL CHALK LINE ON WALL APPROXIMATELY FULL LENGTH OF FIXTURE ROW TO BE INSTALLED.

STEP 2:

ATTACH WALL CLEATS, AS INSTRUCTED ON OPPOSITE PAGE AND ON CENTERS AS SPECIFIED ON FACTORY SHOP DRAWING, USING CHALK LINE AS CENTER LINE GUIDE. (FIG. 3)

STEP 3:

REMOVE LENSES AND REFLECTORS AS REQUIRED TO ACCESS FIXTURE RETAINING NUTS AND JOINING HARDWARE. REMOVE AND SAVE FIXTURE RETAINING NUTS.

STEP 4:

INSTALL FIRST (END) FIXTURE IN ROW AS INSTRUCTED ON PREVIOUS PAGE.

LEAVE SET SCREWS ON ALL FIXTURES LOOSE AT THIS TIME.

STEP 5:

POSITION NEXT FIXTURE SO THAT IT ALIGNS WITH PREVIOUS FIXTURE AND PLUG WIRING HARNESSSES TOGETHER. (FIG. 4) JOIN WIRES WITH WIRE CONNECTORS IF REQUIRED. CONFIRM THAT ALL EXCESS WIRE IS ROUTED INTO FIXTURE WIREWAY.

STEP 6:

PUSH FIXTURES TIGHTLY TOGETHER MAKING SURE THAT THE ALIGNMENT SPLICES SLIDE INTO THE INTERIOR TRACKS OF EACH FIXTURE HOUSING AND SPAN THE FIXTURE JOINT. SECURE JOINT WITH #10-24 RETAINING NUT(S) PROVIDED (FROM STEP 3) USING 11/32" WRENCH SUPPLIED.

STEP 7:

CONTINUE TO INSTALL AND ASSEMBLE REMAINING FIXTURES IN ROW FOLLOWING STEPS 3 THROUGH 6 ABOVE.

STEP 8:

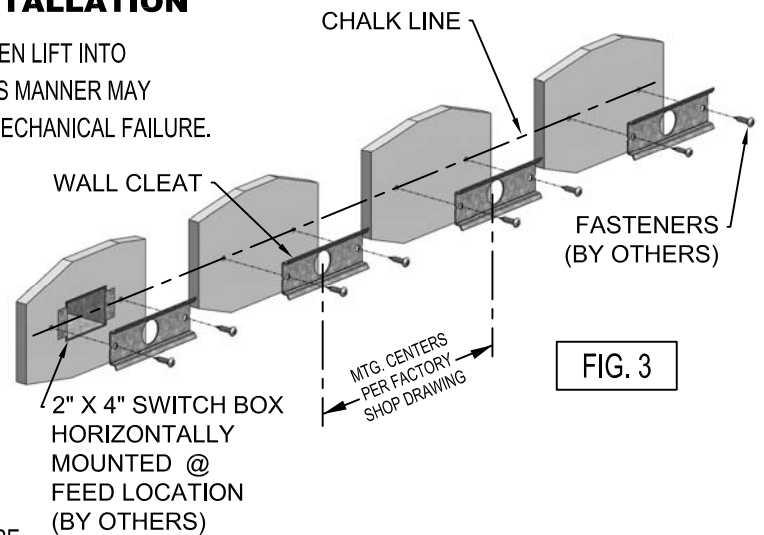
ROUTE WIRES INTO FIXTURE WIREWAY AT FEED POINT. COMPLETE FEED CONNECTION INSIDE FIXTURE WITH MIN. 90°C WIRES AND CONNECTORS.

STEP 9:

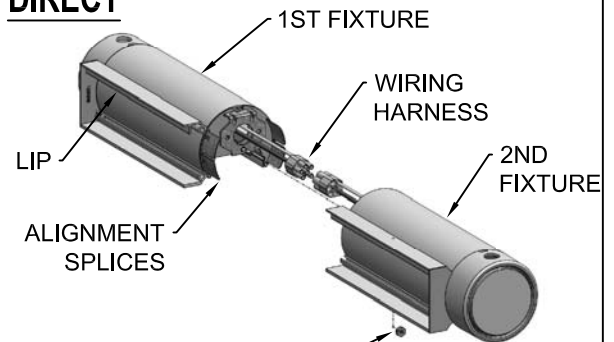
TIGHTEN SET SCREWS ON ALL FIXTURES, ONLY ENOUGH TO HOLD FIXTURES SNUG TO WALL.

STEP 10:

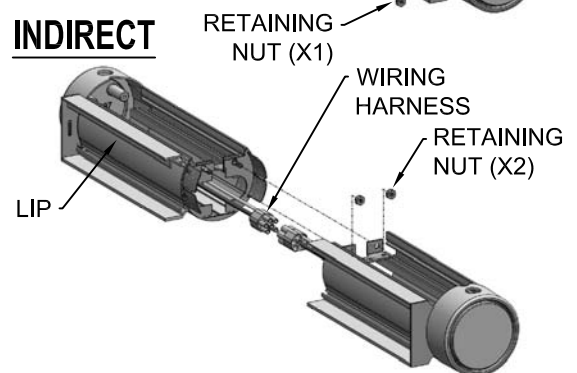
ONCE ALL FIXTURES IN ROW ARE INSTALLED, REPLACE REFLECTORS AND LENSES. ENERGIZE CIRCUIT AND VERIFY PROPER OPERATION.



DIRECT



INDIRECT



INDIRECT - DIRECT

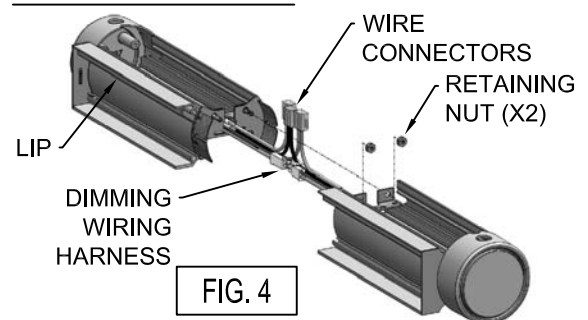


FIG. 4

