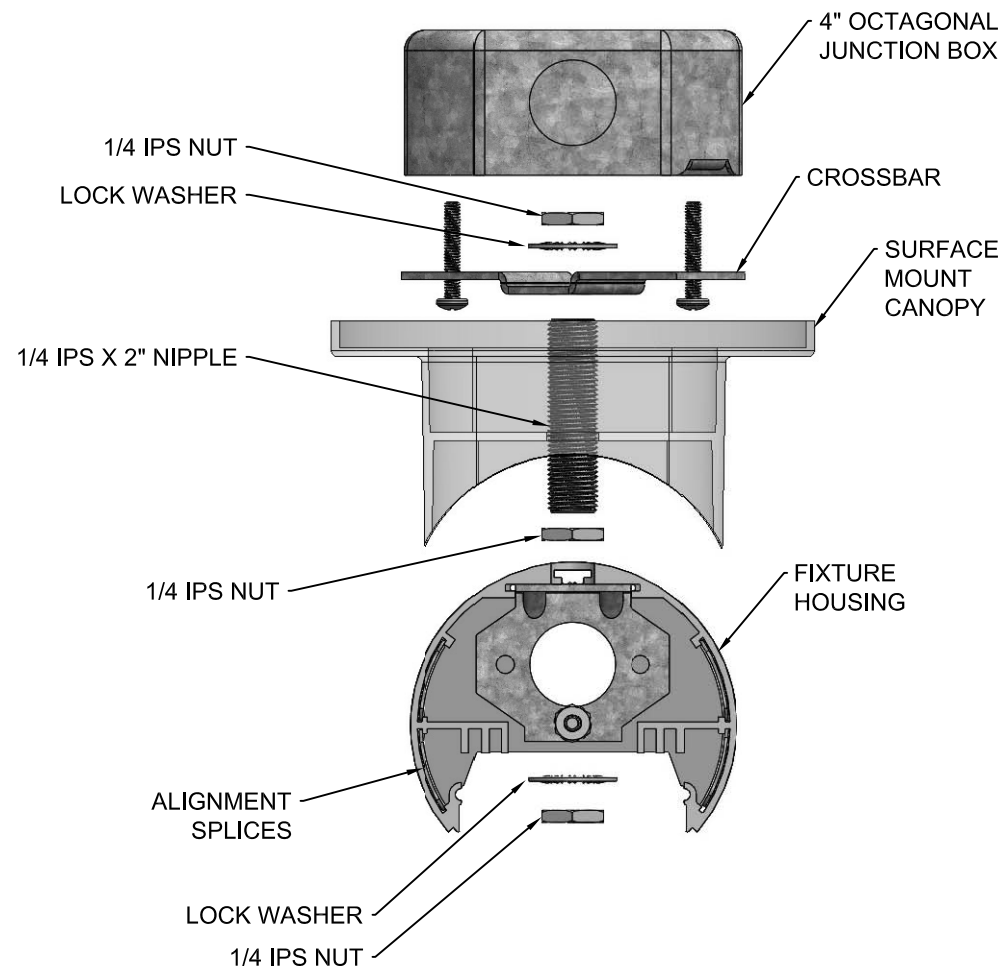


SAFETY AND INSTALLATION INSTRUCTIONS

AR300 SURFACE MOUNT



AR300 SURFACE MOUNT - FEED END CROSS SECTION

FIG. 5

PAL RESERVES THE RIGHT TO CHANGE PRODUCT DESIGN AND SPECIFICATIONS. CONTACT FACTORY FOR MOST RECENT PRODUCT INFORMATION.

SAFETY AND INSTALLATION INSTRUCTIONS

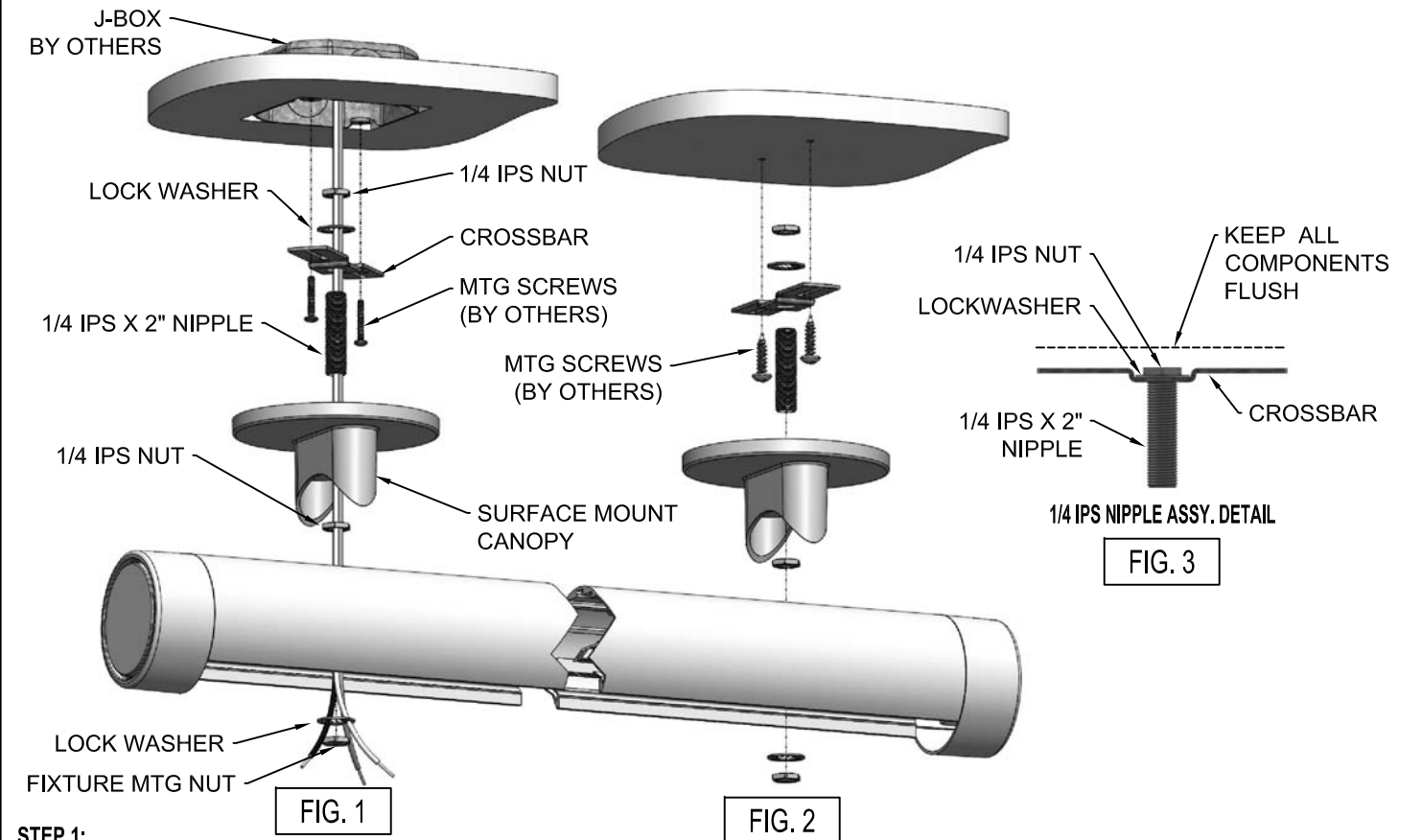
AR300 SURFACE MOUNT

CAUTION:

- * BE CERTAIN THAT POWER TO FIELD WIRING HAS BEEN TURNED OFF PRIOR TO INSTALLATION.
- * THIS PRODUCT MUST BE INSTALLED IN ACCORDANCE WITH THE APPLICABLE INSTALLATION CODE BY A PERSON FAMILIAR WITH THE CONSTRUCTION AND OPERATION OF THE PRODUCT AND THE HAZARDS INVOLVED.
- * IT IS INSTALLER'S RESPONSIBILITY TO ENSURE THAT MOUNTING SURFACE IS STRUCTURALLY CAPABLE OF SUPPORTING WEIGHT OF FIXTURE.
- * BE CERTAIN THAT SUPPLY VOLTAGE IS THE SAME AS THAT MARKED ON FIXTURE.

CE PRODUIT DOIT ÊTRE INSTALLÉ SELON LE CODE D'INSTALLATION PERTINENT, PAR UNE PERSONNE QUI CONNAÎT BIEN LE PRODUIT ET SON FONCTIONNEMENT AINSI QUE LES RISQUES INHÉRENTS.

SINGLE FIXTURE INSTALLATION



STEP 1:

ASSEMBLE 1/4 IPS NIPPLE TO CROSSBAR AS ILLUSTRATED (FIG. 3)

STEP 2:

MOUNT NIPPLE ASSY. TO 4\"/>

STEP 3:

MOUNT CANOPY TO NIPPLE ASSEMBLY WITH 1/4 IPS NUT PROVIDED. NOTE ORIENTATION OF CANOPY RELATIVE TO FIXTURE. INCOMING FEED WIRES SHOULD PASS THROUGH NIPPLE AT FEED LOCATION.

STEP 4:

REMOVE LENS AND REFLECTOR(S) FROM FIXTURE. RAISE FIXTURE TO CEILING CANOPY SUCH THAT NIPPLES ARE PASSING THROUGH MOUNTING HOLES IN FIXTURE. SECURE FIXTURE TO CANOPIES WITH LOCK WASHER AND FIXTURE MOUNTING NUTS PROVIDED.

STEP 5:

MAKE WIRE CONNECTIONS WITHIN FIXTURE WIREWAY, INSTALL REFLECTOR AND LENS AND TEST FOR PROPER OPERATION. (REFERENCE FIG. 4 ON BACK PAGE FOR CROSS SECTION OF COMPLETED ASSEMBLY AT FEED POINT.

REFERENCE BACK OF PAGE FOR ROW INSTALLATION.

PAL RESERVES THE RIGHT TO CHANGE PRODUCT DESIGN AND SPECIFICATIONS. CONTACT FACTORY FOR MOST RECENT PRODUCT INFORMATION.

SAFETY AND INSTALLATION INSTRUCTIONS

AR300 SURFACE MOUNT

CONTINUOUS ROW INSTALLATION

CAUTION:

DO NOT ATTEMPT TO ASSEMBLE FIXTURE ROWS ON GROUND AND THEN LIFT INTO POSITION. ATTEMPTING TO ASSEMBLE AND INSTALL FIXTURES IN THIS MANNER MAY CREATE STRESS AT CONNECTIONS RESULTING IN DAMAGE AND/OR MECHANICAL FAILURE

STEP 1:

LOCATE AND INSTALL 4" OCTAGONAL JUNCTION BOX AT LOCATION(S) ILLUSTRATED ON FACTORY SHOP DRAWING.

STEP 2:

MOUNT NIPPLE ASSEMBLY & CANOPIES IN LOCATIONS INDICATED ON FACTORY SHOP DRAWING PER STEPS 1 THROUGH 3 ON PAGE 1. MAKE CERTAIN ALL CANOPIES ARE ALIGNED AND ORIENTED CORRECTLY.

STEP 3:

MOUNT FIRST FIXTURE IN ACCORDANCE WITH STEP 4 ON FIRST PAGE.

STEP 4:

POSITION NEXT FIXTURE SUCH THAT IT ALIGNS WITH FIRST FIXTURE AND PLUG FIXTURE WIRE HARNESS TOGETHER AS ILLUSTRATED. (FIG. 4)

STEP 5:

PUSH FIXTURES TIGHTLY TOGETHER MAKING SURE THAT ALIGNMENT SPLICES SLIDE INTO THE INTERIOR TRACKS OF SECOND FIXTURE HOUSING AND SPAN THE FIXTURE JOINT. SECURE JOINT WITH #10-24 NUT PROVIDED USING 11/32" WRENCH PROVIDED. SECURE FIXTURE TO CEILING CANOPY WITH FIXTURE MOUNTING NUT AND LOCKWASHER PROVIDED.

NOTE: MAKE SURE EXCESS WIRE FROM WIRE HARNESS IS PUSHED BACK INTO FIXTURE WIREWAY AND NOT "PINCHED" BETWEEN FIXTURES.

STEP 6:

CONTINUE TO INSTALL REMAINING FIXTURES IN ROW FOLLOWING STEPS 4 & 5.

STEP 7:

MAKE INCOMING WIRE CONNECTIONS WITHIN FIXTURE WIREWAY OF LAST FIXTURE.

STEP 8:

REPLACE REFLECTORS AND LENSES, ENERGIZE FIXTURE AND CHECK FOR PROPER OPERATION.

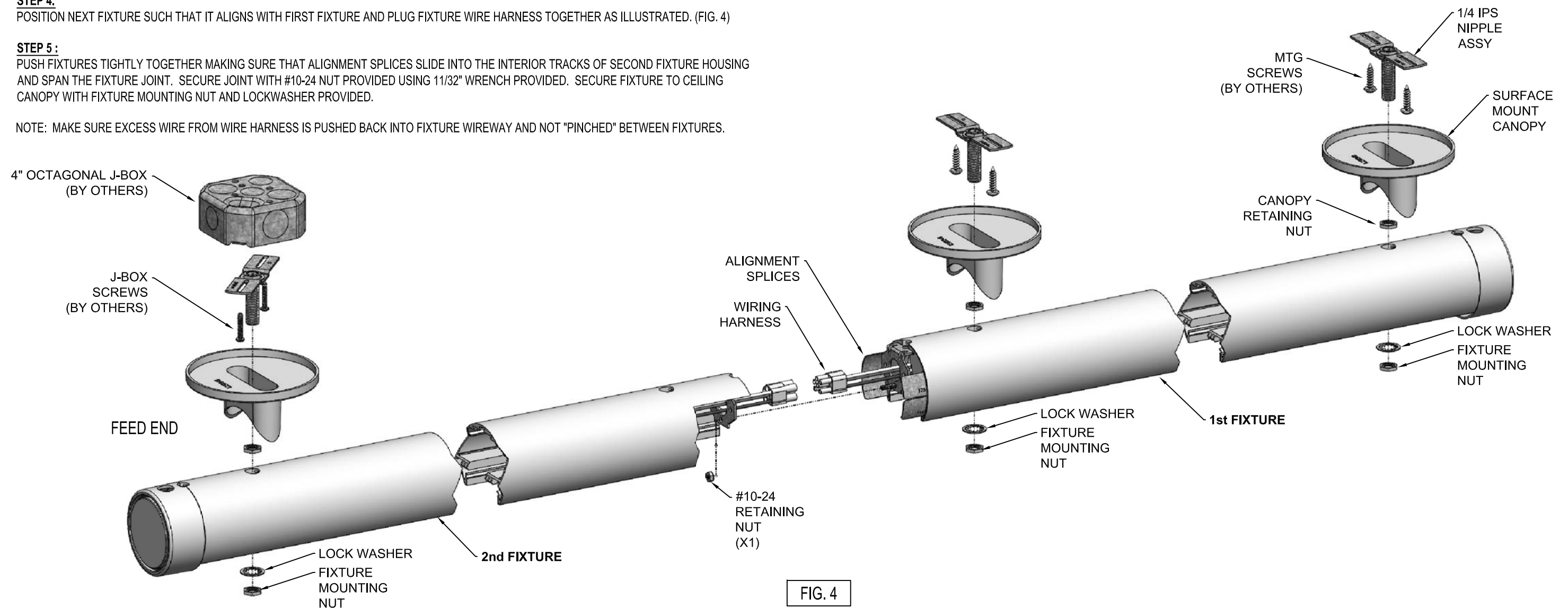


FIG. 4