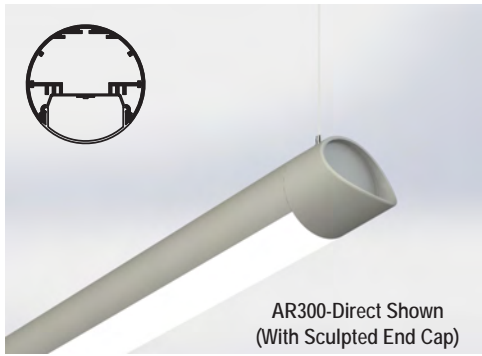


AR300 SERIES

The compact AR300 Series combines a timeless approach to lighting with fresh ideas that incorporate advanced style and function.

Available with either 80 or 90 CRI LED light engines, the highly efficient AR300 Series also offers efficacies as high as 140 Lms/Watt. AR300 can be suspended, ceiling, or wall mounted, with multiple distribution options that provide design adaptability for your space.

AR300 can be mounted individually or in continuous rows, and includes lit connectors for virtually unlimited pattern options. With its stylish housing, complemented by either flat or graceful sculpted end caps, the AR300 brings a fresh appearance to a classic shape.



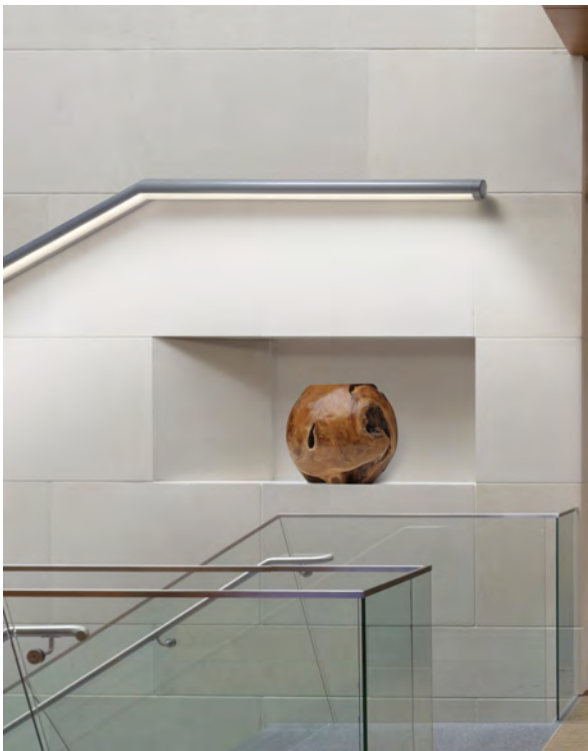
Qty:

Type:

Project Name:

Catalog Number:

SPECIFICATIONS



Housing

Constructed of one-piece .070" thick extruded aluminum. Die-cast aluminum end caps are secured with no visible fasteners. Standard lengths are 2', 3', 4', 6', and 8'. Provisions may be made for patterns and continuous rows of any length.

End Caps

- (FE) Flat End - Die-cast aluminum finished to match fixture housing. Secured with no visible fasteners.
- (SE) Sculpted End - Die-cast aluminum finished to match fixture housing. Secured with no visible fasteners.

Finish

Standard & premium finishes are baked powder coat electrostatically applied (2.0 mil minimum thickness.)

Indirect Optical Controls

- (LOH) LED-optimized high transmittance extruded snap-in acrylic lens - Standard Distribution.
- (WSCL) Wide-Spread Optic and Clear Co-Extruded snap-in lens - Wide-Spread Distribution.

Direct Optical Controls

(LOH) LED-optimized high transmittance extruded snap-in acrylic lens - Standard Distribution.

Reflector/Heat Sink (Indirect & Direct)

.040" thick die-formed aluminum reflector finished with a high reflectance white enamel.

Driver (Standard)

Power supply is UL/CUL recognized, 0-10V dimming available, 120 thru 277V universal voltage.

Driver (Tunable White)

EldoLED power supply is UL recognized, and is available for DALI, 0-10V or DMX protocols.

Light Engines, Color Temperatures and CRI

LED light sources are available for the following Co-ordinated Color Temperatures (CCT):
Standard: 2700K, 3000K, 3500K, 4000K, & 5000K
Tunable White: Variable CCT range from 2700K thru 6500K.

Color Rendering Index (CRI): Standard: 80
 Optional: 90

See table below for standard light outputs, and contact factory for available custom outputs.

Warranty

10-year limited warranty. No other warranty is expressed or implied. Complete warranty terms can be accessed by visiting:
<https://pal-lighting.com/company/warranty>

Revit Files

Revit model (BIM) files for the AR300 Series are available by visiting the PAL website at:
<https://pal-lighting.com/product-category/by-series/ar300>
 or click here for all AR300 series Revit files.

Certifications

Fixtures are ETL listed for use in 'Dry or Damp Applications'. Fixtures conform to UL Standard #1598 and to CAN/CSA #C22.2NO.250.0

AR300 - Fixture Performances at a Glance

Lumen Outputs Available	Standard High Output					Standard Medium Output				
Fixture / Orientation / Mounting	AR300-Direct (Susp, Clg, Wall)	AR300-Indirect (Suspended)	AR300-Ind./Direct (Suspended)	AR300-Ind.-Asymm. (Wall)	AR300-IASY/Direct (Wall)	AR300-Direct (Susp, Clg, Wall)	AR300-Indirect (Suspended)	AR300-Ind./Direct (Suspended)	AR300-Ind.-Asymm. (Wall)	AR300-IASY/Direct (Wall)
Optical Control	LOH	LOH	LOH / LOH	LOH	LOH / LOH	LOH	LOH	LOH / LOH	LOH	LOH / LOH
Delivered Lumens/Foot - Standard	920	920	1921	920	1694	626	651	1694	586	1168
Input Watts/Foot - Standard	7	7	15	7	14	5	5	9	5	9
Lumens/Watt - (Efficacy) - Standard	132	136	129	113	125	135	140	140	115	128
Custom Lumen Outputs Available										
Lumens/Ft - Min. thru Max. Available*	300 - 1500	300 - 1500	600 - 3000	300 - 1500	600 - 3000	300 - 1500	300 - 1500	600 - 3000	300 - 1500	600 - 3000

Notes:

- Data listed above is based on using 4000K CCT and 80 CRI LED modules.
- * PAL uses fully programmable drivers. Custom outputs (CO) are available. Contact specs@pallighting.com for more information.
- All values are based on calculated LM-79 photometric reports.



4830 Timber Creek Dr.
Houston, TX 77017
pal-lighting.com
(713) 946-4343

AR300 SERIES SUSPENDED, CEILING or WALL MOUNT

ORDERING GUIDE

Series	End Caps	Outputs - Indirect	Outputs - Direct	Color Temperature (CCT)	Color Rendering
AR300-D AR300 Series Direct	FE Flat End SE Sculpted End	HO High Output MO Medium Output	HO High Output MO Medium Output	K27 2700 Kelvin K30 3000 Kelvin K35 3500 Kelvin K40 4000 Kelvin K50 5000 Kelvin TW 2700K thru 6500K (Tunable White)	80 80 CRI 90 90 CRI
AR300-I AR300 Series Indirect		*See chart on page 1 for standard outputs in Lms/Ft.			
AR300-I/D AR300 Series Indirect/Direct		CO ____ ** Custom Output **Enter requested Lumens/Ft			
AR300-IASY (Wall Mount) AR300 Series Indirect-Asymm.					
AR300-IASY/D (Wall Mount) AR300 Series Indirect-Asymm/Direct					

Fixture Lengths & Corners	Mounting	Ind. Optical Control	Direct Optical Control	Finishes	Voltage
2' 2 Ft XX' : For continuous or custom row lengths, specify fixtures in increments the nearest foot. Example: 13'	CN Fully Adjust. Cable - Non T-Bar - (36" Std.) CT Fully Adjust. Cable - 15/16" T-Bar - (36" Std.) J Ceiling Mount W Wall Mount	LOH LED-Optimized High Transmittance Lens WSCL Wide-Spread Optic & Clear Snap-in Lens	LOH LED-Optimized High Transmittance Lens	F01M Matte White (Standard) FXXX Premium Colors: (F01G thru F22) FCC Custom Color Match - Provide RAL Color# ____	120 120V 277 277V UNV Universal Voltage (120V thru 277V) 347 347V
L90D 90 Deg. Lit Corner - Direct					
L90I 90 Deg. Lit Corner - Indirect					
L90I/D 90 Deg. Lit Corner - Indirect/Direct					

Drivers - Dimming ^{2,4}	Drivers - Tunable White ^{2,4}	Sensor Options	Emergency Options	Control Systems ⁹
DIM0 Dimming 100% to 0% DIM1 Dimming 100% to 1% DIM5 Dimming 100% to 5% DIM10 Dimming 100% to 10% SD Step-Dimming System	DALI DALI protocol driver - (TW) ⁷ EldoLED DUALdrive 0-10V 0-10V protocol driver - (TW) ⁷ EldoLED DUALdrive	OCC Occupancy/Motion Sensor ⁸ (Integral Mount) DS Daylight/Photocell Sensor ⁸ (Integral Mount)	NLCKT Night-Light Circuit (Common Neutral) EMCKT Emergency Circuit (Sep. Hot & Neutral) EBPHST Emergency Battery Pack - 10 Watt ⁵ Self-Testing. (Integral Mount) GTD Generator Transfer Device (Integral Mount)	CS CASAMBI Blue-Tooth Wireless System nLIGHT nLight Enabled nLAIR nLight Air (Wireless Enabled)

Notes:

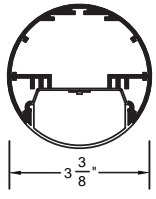
- All fixtures are factory pre-wired for a single circuit. Provisions for multiple switching/circuiting is optional.
- Unless otherwise requested, all fixtures contain integral-mount "power-on-board" drivers.
- All fixtures intended for continuous rows are provided with factory installed quick-connect wiring.
- Standard power supply (driver) is UL/CUL recognized, and is available w/0-10V dimming capability & 120 - 277 universal voltage.
- Standard emergency battery pack is a 10 Watt constant power, self-testing, UL 924 listed pack from Iota Engineering - providing 1000 lumens of light for approximately 90 minutes. Battery packs are integral mounted unless otherwise notified. *Note: Remote mounted battery packs are not wet location listed.
- Custom length fixtures and fixtures rows may require a longer lead time. Contact specs@pallighting.com for more information.
- Tunable White power supply by EldoLED is UL recognized, and is compatible with DALI, DMX, and 0-10V protocols.
- Unless otherwise specified, PAL routinely uses the following integral-mount sensors:
A. nLight AIR #rES7 sensor by nLight/Acuity Brands
B. Vertex sensor by SensorSwitch/Acuity Brands
C. SensiLUM sensor by Encellium/LeGrand
D. FS-205 and FD-301 sensors by WattStopper/Legrand
Sensors listed above are either occupancy/motion type, daylight/photocell type, or are a combination of the two.
- Other control systems are available. Questions? Contact specs@pallighting.com for more information.



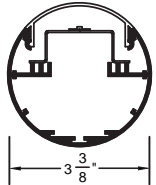
Standard Fixture Lengths and Mounting Centers

Suspended Mount Configurations

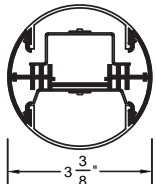
For installation instructions, visit:
[AR300-Suspended Mount Instructions - Click here](#)



SUSPENDED MOUNT
DIRECT

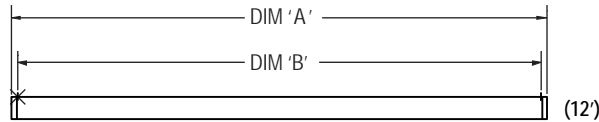
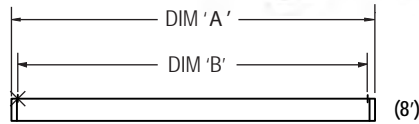
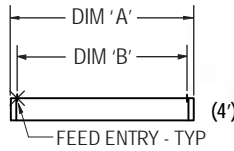


SUSPENDED MOUNT
INDIRECT



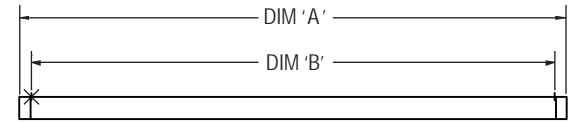
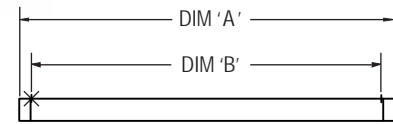
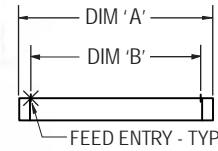
SUSPENDED MOUNT
INDIRECT/DIRECT

FLAT END CAP FIXTURES - (FE)



OVERALL FIXTURE LENGTH DIM 'A'	MOUNTING CENTERS DIM 'B'
51"	48"
99"	96"
*147"	*144"

SCULPTED END CAP FIXTURES - (SE)

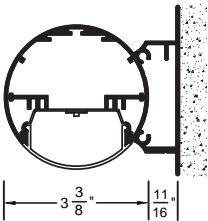


OVERALL FIXTURE LENGTH DIM 'A'	MOUNTING CENTERS DIM 'B'
54 - 11/16"	48"
102 - 11/16"	96"
*150 - 11/16"	*144"

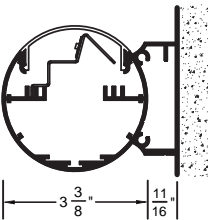
*NOTE: DIRECT-ONLY & INDIRECT-ONLY INDIVIDUAL FIXTURES ARE AVAILABLE IN LENGTHS UP TO 12' LONG.
INDIRECT/DIRECT INDIVIDUAL FIXTURES ARE AVAILABLE IN LENGTHS UP TO 8' LONG.

Wall Mount Configurations

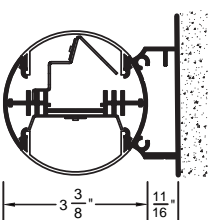
For installation instructions, visit: [AR300-Wall Mount Instructions - Click here](#)



WALL MOUNT
DIRECT

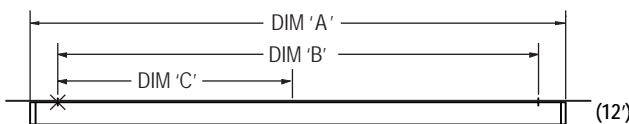
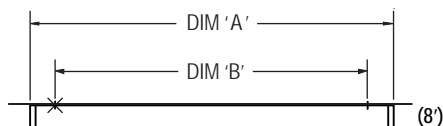
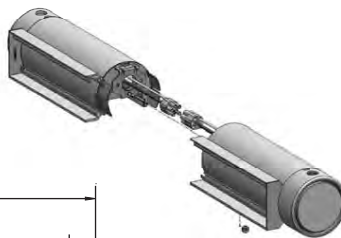
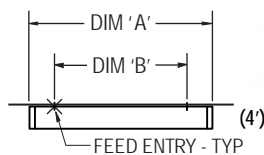


WALL MOUNT
INDIRECT-ASYMMETRIC

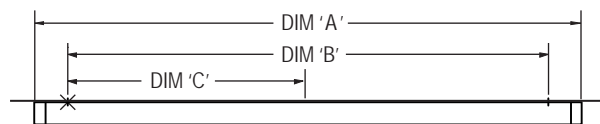
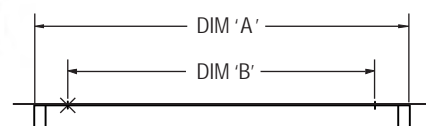
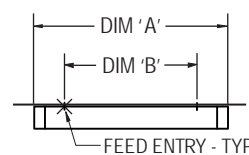


WALL MOUNT
INDIRECT-ASYMMETRIC/DIRECT

FLAT END CAP FIXTURES - (FE)



SCULPTED END CAP FIXTURES - (SE)

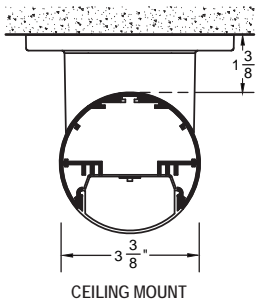


OVERALL FIXTURE LENGTH USING FLAT END CAPS DIM 'A'	OVERALL FIXTURE LENGTH USING SCULPTED END CAPS DIM 'A'	MOUNTING CENTERS DIM 'B'	MOUNTING CENTERS DIM 'C'
51"	54 - 11/16"	36"	-----
99"	102 - 11/16"	84"	-----
147"	150 - 11/16"	132"	66"

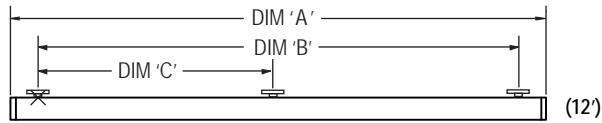
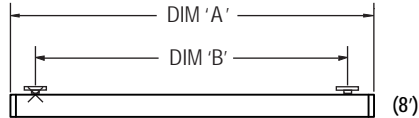
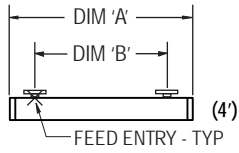
PAL RESERVES THE RIGHT TO CHANGE PRODUCT DESIGN AND SPECIFICATIONS. CONTACT FACTORY FOR MOST RECENT PRODUCT INFORMATION.

Standard Fixture Lengths and Mounting Centers

Ceiling Mount Configurations

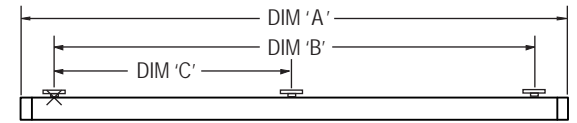
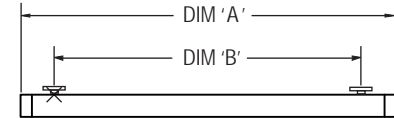
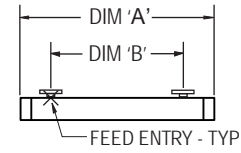


FLAT END CAP FIXTURES - (FE)

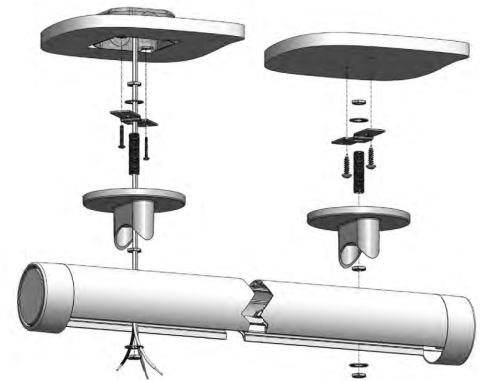


For installation instructions, visit:
[AR300-Ceiling Mount Instructions - Click here](#)

SCULPTED END CAP FIXTURES - (SE)

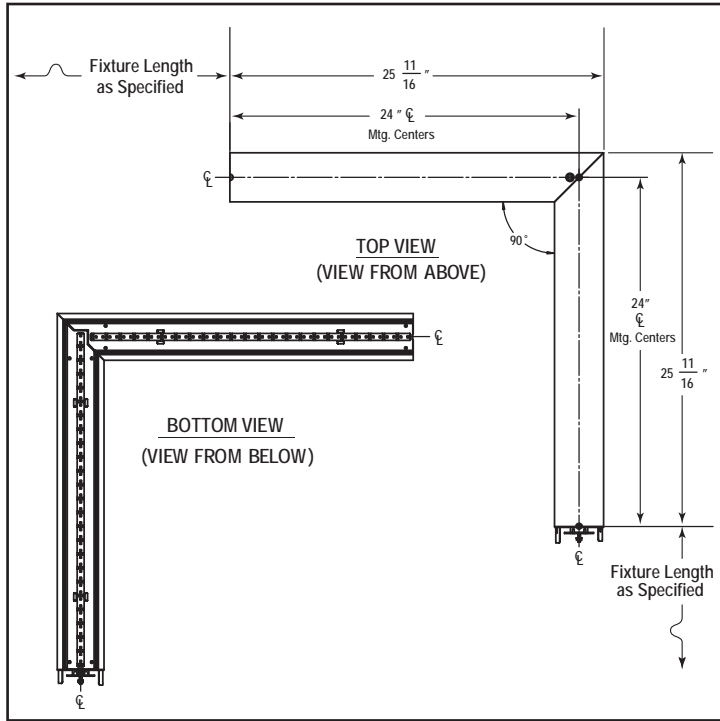


OVERALL FIXTURE LENGTH USING FLAT END CAPS DIM 'A'	OVERALL FIXTURE LENGTH USING SCULPTED END CAPS DIM 'A'	MOUNTING CENTERS DIM 'B'	MOUNTING CENTERS DIM 'C'
51 "	54 - 11/16 "	36 "	-----
99 "	102 - 11/16 "	84 "	-----
147 "	150 - 11/16 "	132 "	66 "

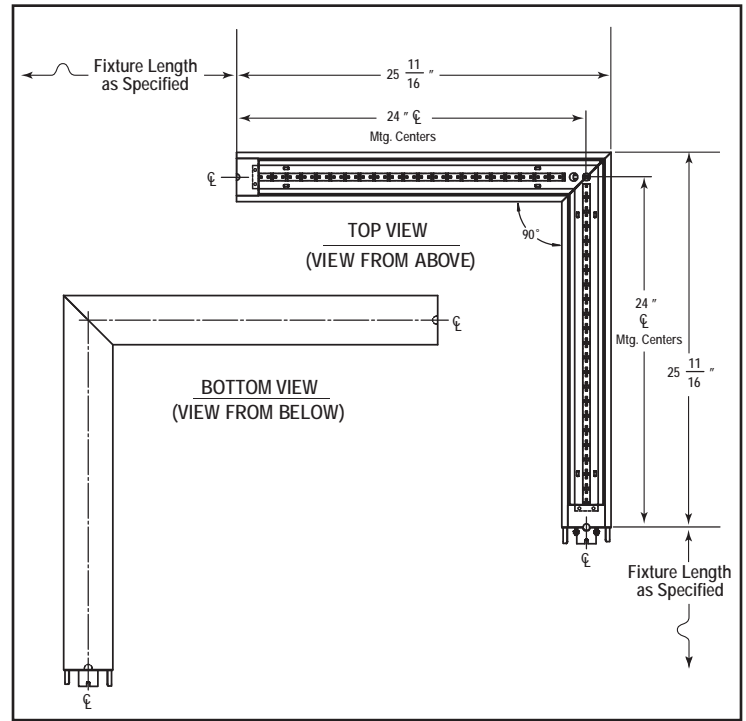


PAL RESERVES THE RIGHT TO CHANGE PRODUCT DESIGN AND SPECIFICATIONS. CONTACT FACTORY FOR MOST RECENT PRODUCT INFORMATION.

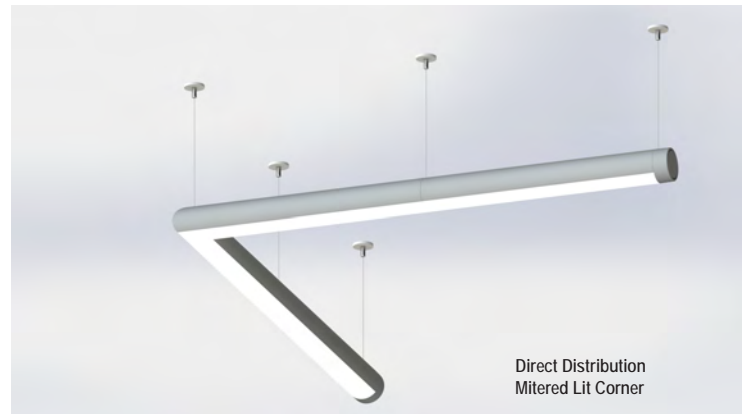
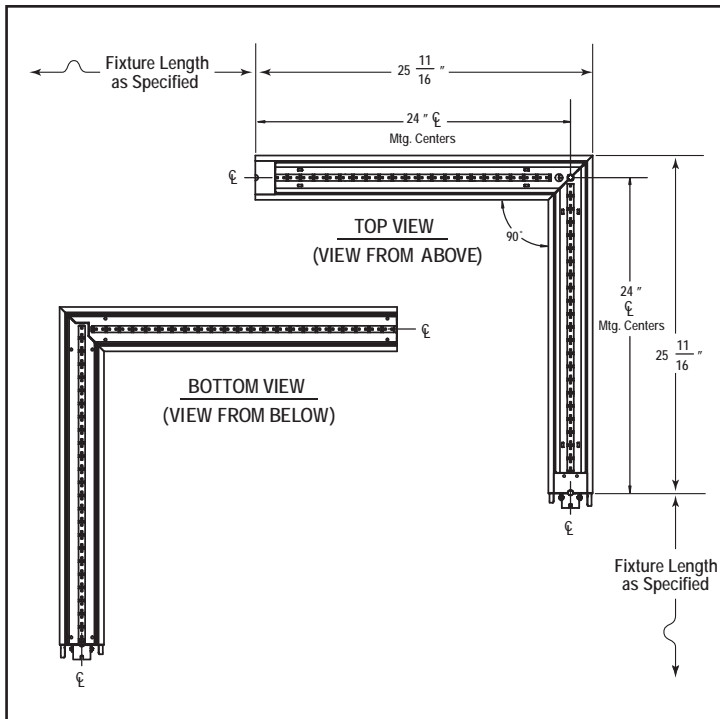
Direct Distribution Mitered Corner - Lit



Indirect-Only Distribution Mitered Corner - Lit



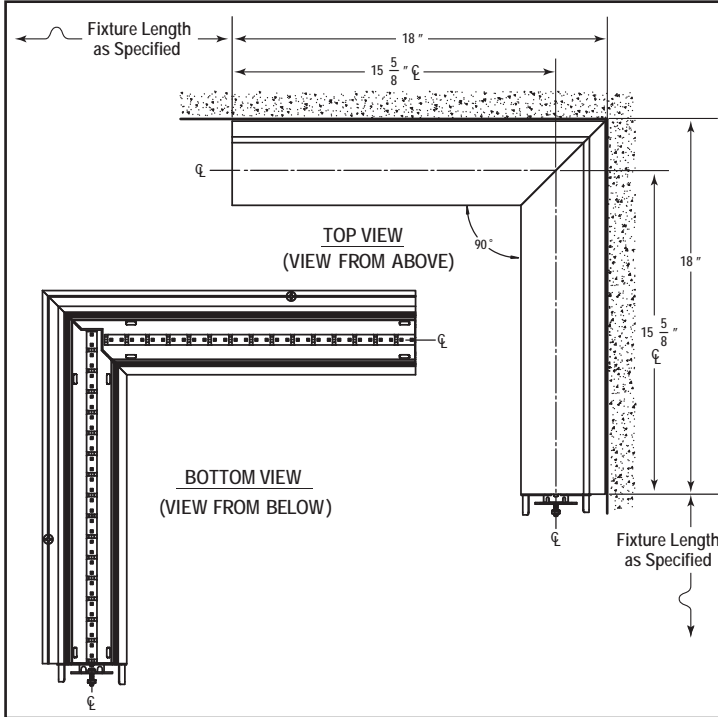
Indirect/Direct Distribution Mitered Corner - Lit



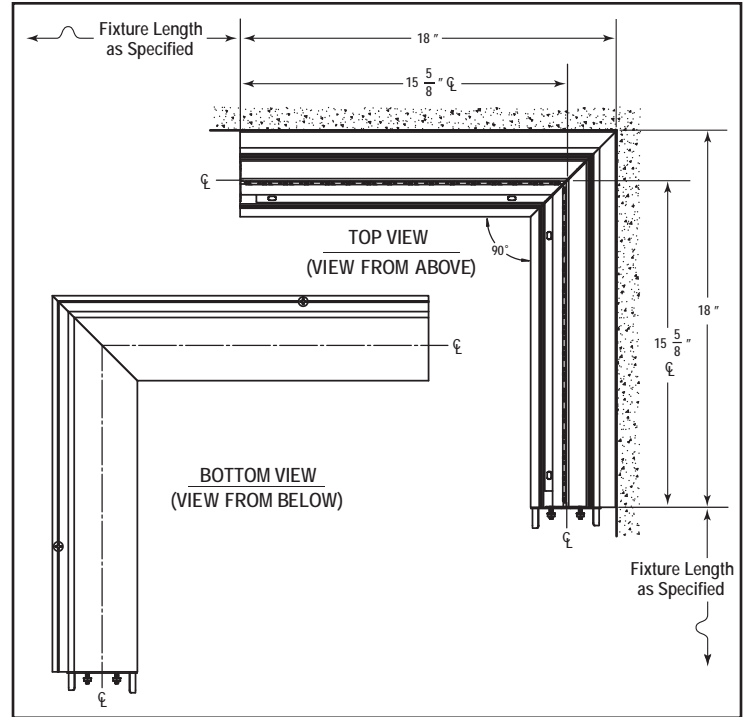
Consult Factory for exact luminaire placement.



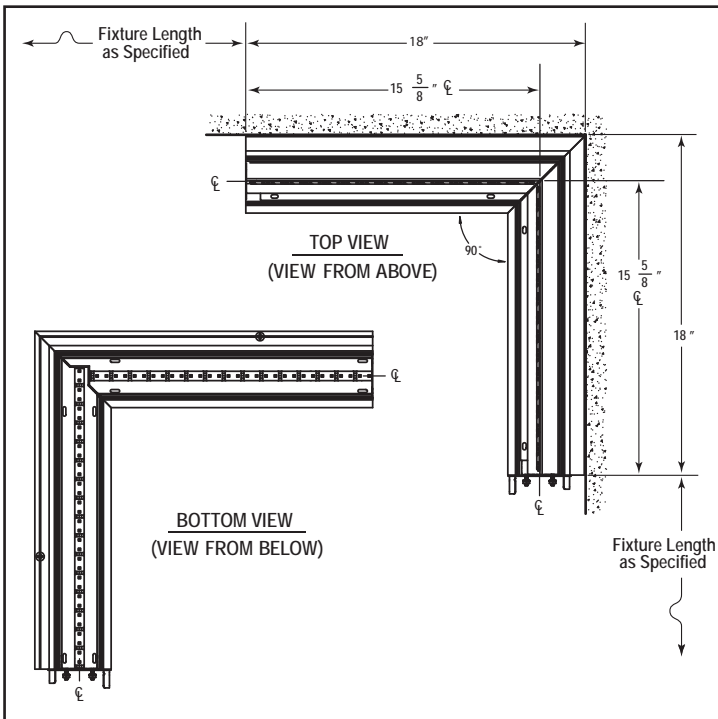
Direct Distribution Inside Mitered Corner - Lit



Indirect-Asymmetric Distribution Inside Mitered Corner - Lit

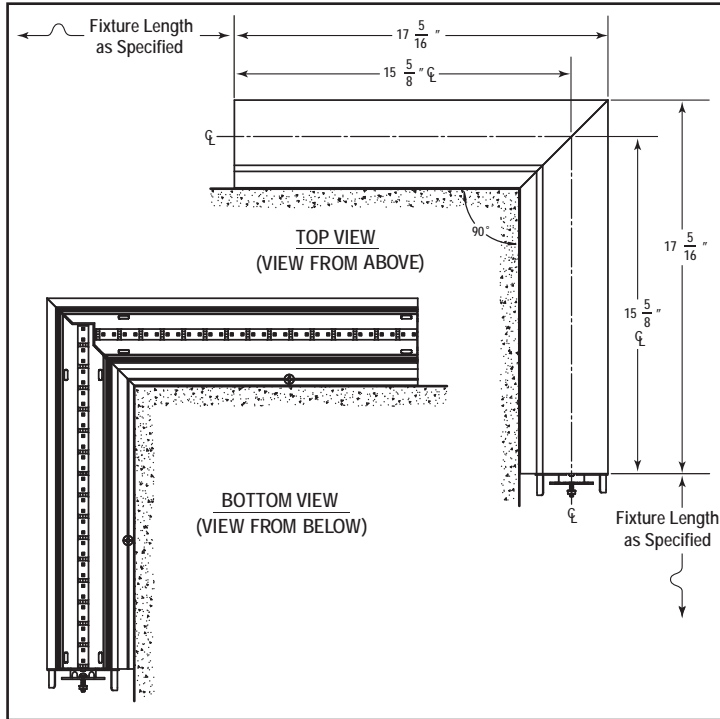


Indirect-Asymmetric / Direct Distribution Inside Mitered Corner - Lit

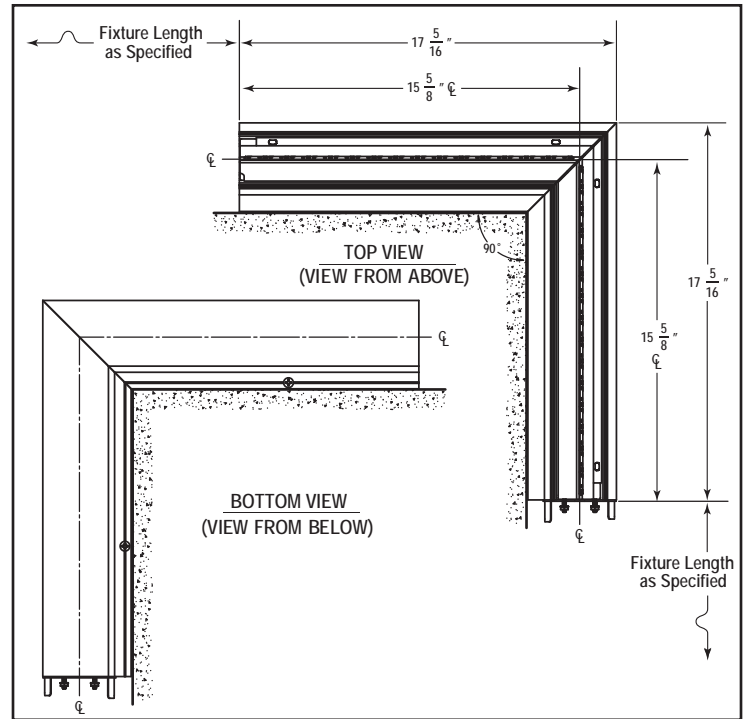


Consult Factory for exact luminaire placement.

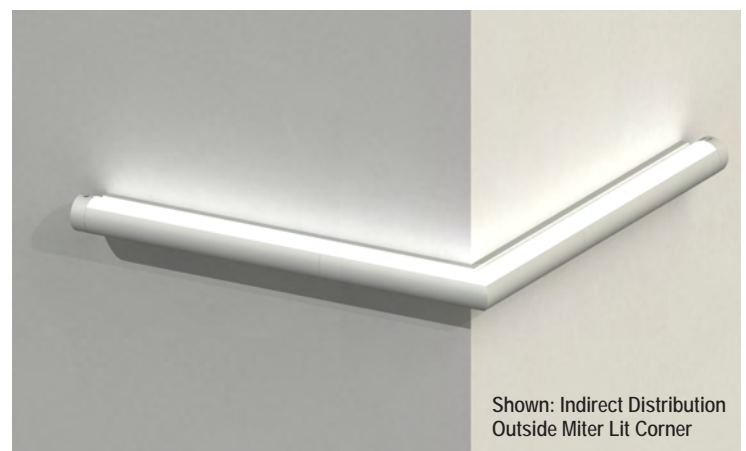
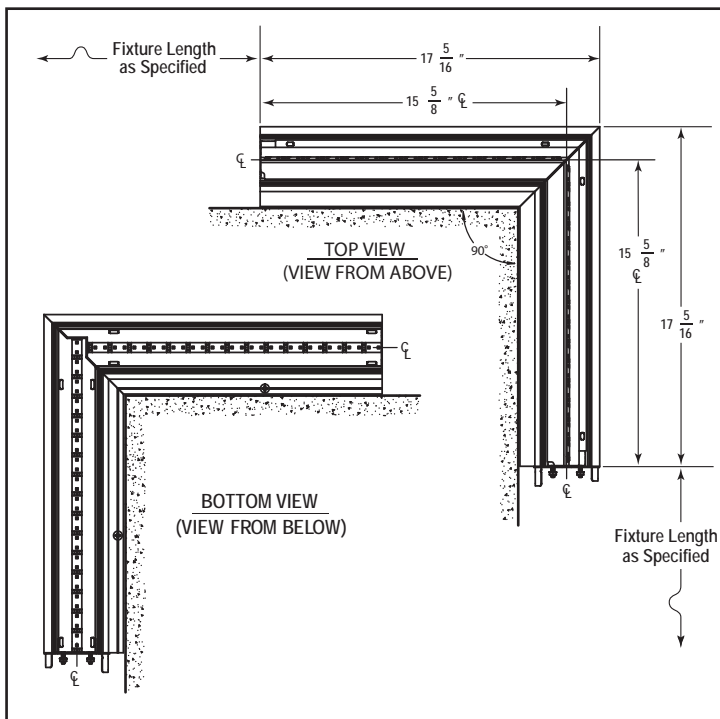
Direct Distribution Outside Mitered Corner - Lit



Indirect-Asymmetric Distribution Outside Mitered Corner - Lit



Indirect-Asymmetric / Direct Distribution Outside Mitered Corner - Lit




Consult Factory for exact luminaire placement.

PHOTOMETRY / LIGHT DISTRIBUTIONS

AR300-D-HO-K40-LOH


Suspended, Ceiling, Wall Mount
Direct Distribution - LOH Lens
High Output



Catalog Number:
AR300-D-HO-K40-80-4'-X-LOH-120
Report Number:
#LLIA000930-002.ies
Total Delivered Lumens: 3679
Total Efficacy: 131.8 Lms/W
Input Power per 4': 27.9 Watts
3.5% Up 96.5% Down
Color Rendering Index (CRI) = 84
To see the complete photometric report, visit:
[AR300-D-HO-K40-LOH Report - Click Here](#)

AR300-D-MO-K40-LOH


Suspended, Ceiling, Wall Mount
Direct Distribution - LOH Lens
Medium Output



Catalog Number:
AR300-D-MO-K40-80-4'-X-LOH-120
Report Number:
#LLIA000930-001.ies
Total Delivered Lumens: 2503
Total Efficacy: 134.6 Lms/W
Input Power per 4': 18.6 Watts
3.5% Up 96.5% Down
Color Rendering Index (CRI) = 84
To see the complete photometric report, visit:
[AR300-D-MO-K40-LOH Report - Click Here](#)

AR300-I-HO-K40-LOH


Suspended Mount
Indirect Distribution - LOH Lens
High Output



Catalog Number:
AR300-I-HO-K40-80-4'-X-LOH-120
Report Number:
#LLIA000930-006.ies
Total Delivered Lumens: 3796
Total Efficacy: 136.1 Lms/W
Input Power per 4': 27.9 Watts
96.3% Up 3.7% Down
Color Rendering Index (CRI) = 84
To see the complete photometric report, visit:
[AR300-I-HO-K40-LOH Report - Click Here](#)

AR300-I-MO-K40-LOH


Suspended Mount
Indirect Distribution - LOH Lens
Medium Output



Catalog Number:
AR300-I-MO-K40-80-4'-X-LOH-120
Report Number:
#LLIA000930-005.ies
Total Delivered Lumens: 2603
Total Efficacy: 139.9 Lms/W
Input Power per 4': 18.6 Watts
96.3% Up 3.7% Down
Color Rendering Index (CRI) = 85
To see the complete photometric report, visit:
[AR300-I-MO-K40-LOH Report - Click Here](#)

AR300-I-HO-K40-W_SCL


Suspended Mount
Indirect Distribution - Wide-Spread Optic & Lens
High Output



Catalog Number:
AR300-I-HO-K40-80-4'-X-W_SCL-120
Report Number:
#LLIA000930-004.ies
Total Delivered Lumens: 3590
Total Efficacy: 128.7 Lms/W
Input Power per 4': 27.9 Watts
99.4% Up .6% Down
Color Rendering Index (CRI) = 84
To see the complete photometric report, visit:
[AR300-I-HO-K40-W_SCL Report - Click Here](#)


AR300-I-MO-K40-W_SCL

Suspended Mount
Indirect Distribution - Wide-Spread Optic & Lens
Medium Output

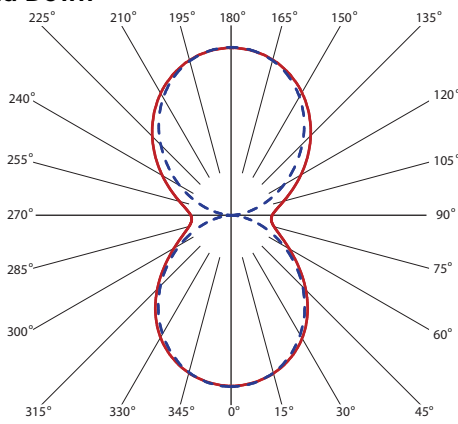


Catalog Number:
AR300-I-MO-K40-80-4'-X-W_SCL-120
Report Number:
#LLIA000930-003.ies
Total Delivered Lumens: 2603
Total Efficacy: 139.9 Lms/W
Input Power per 4': 18.6 Watts
99.4% Up .6% Down
Color Rendering Index (CRI) = 85
To see the complete photometric report, visit:
[AR300-I-MO-K40-W_SCL Report - Click Here](#)



PHOTOMETRY / LIGHT DISTRIBUTIONS


AR300-I/D-HO/HO-K40-LOH/LOH 

Suspended Mount
Indirect/Direct - LOH Lens Up/LOH Lens Down
High Output - Up and Down

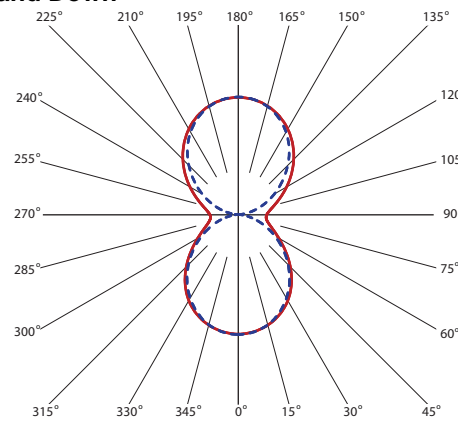


Catalog Number: AR300-I/D-HO/HO-K40-80-4'-X-LOH/LOH-120
Report Number: #LLIA000930-010.ies
Total Delivered Lumens: 7682
Total Efficacy: 128.9 Lms/W
Input Power per 4': 59.6 Watts
51% Up 49% Down
Color Rendering Index (CRI) = 84
To see the complete photometric report, visit:
[AR300-I/D-HO/HO-K40-LOH/LOH Report - Click Here](#)



LEGEND: 0-deg 
90-deg 


AR300-I/D-MO/MO-K40-LOH/LOH 

Suspended Mount
Indirect/Direct - LOH Lens Up/LOH Lens Down
Medium Output - Up and Down

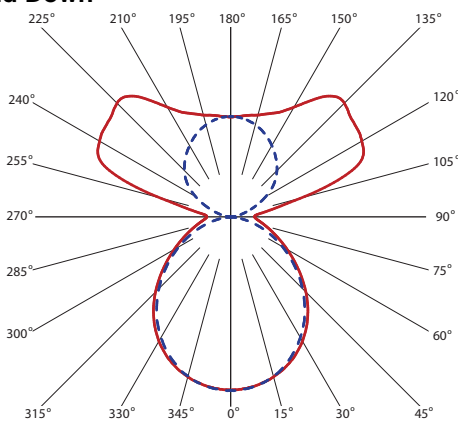


Catalog Number: AR300-I/D-MO/MO-K40-80-4'-X-LOH/LOH-120
Report Number: #LLIA000930-009.ies
Total Delivered Lumens: 5057
Total Efficacy: 139.9 Lms/W
Input Power per 4': 36.2 Watts
51% Up 49% Down
Color Rendering Index (CRI) = 85
To see the complete photometric report, visit:
[AR300-I/D-MO/MO-K40-LOH/LOH Report - Click Here](#)



LEGEND: 0-deg 
90-deg 


AR300-I/D-HO/HO-K40-WSCL/LOH 

Suspended Mount
Indirect/Direct - WSCL Lens Up/LOH Lens Down
High Output - Up and Down

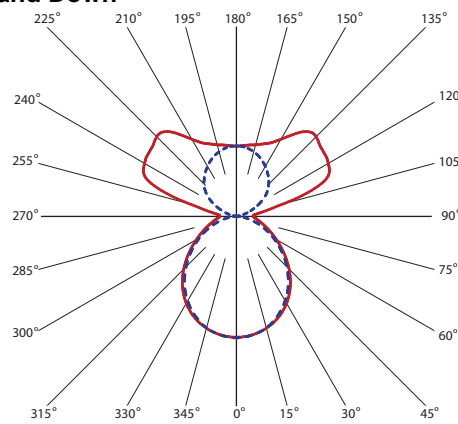


Catalog Number: AR300-I/D-HO/HO-K40-80-4'-X-WSCL/LOH-120
Report Number: #LLIA000930-008.ies
Total Delivered Lumens: 7494
Total Efficacy: 126.1 Lms/W
Input Power per 4': 59.5 Watts
51% Up 49% Down
Color Rendering Index (CRI) = 84
To see the complete photometric report, visit:
[AR300-I/D-HO/HO-K40-WSCL/LOH Report - Click Here](#)

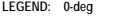
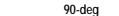
LEGEND: 0-deg 
90-deg 

AR300-I/D-MO/MO-K40-WSCL/LOH 

Suspended Mount
Indirect/Direct - WSCL LENS UP/LOH Lens Down
Medium Output - Up and Down



Catalog Number: AR300-I/D-MO/MO-K40-80-4'-X-WSCL/LOH-120
Report Number: #LLIA000930-007.ies
Total Delivered Lumens: 4933
Total Efficacy: 136.5 Lms/W
Input Power per 4': 36.1 Watts
51% Up 49% Down
Color Rendering Index (CRI) = 85
To see the complete photometric report, visit:
[AR300-I/D-MO/MO-K40-WSCL/LOH Report - Click Here](#)

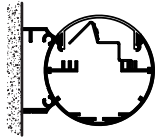
LEGEND: 0-deg 
90-deg 

PHOTOMETRY / LIGHT DISTRIBUTIONS

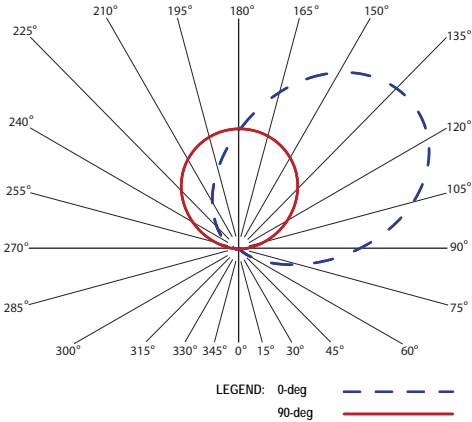
AR300-IASY-HO-K40-LOH



Wall Mount
Indirect-Asymmetric - LOH Lens Up
High Output



Catalog Number:
AR300-IASY-HO-K40-80-4'-W-
LOH-120
Report Number:
#LLIA000938-006.ies
Total Delivered Lumens: 3137
Total Efficacy: 113.0 Lms/W
Input Power per 4': 27.8 Watts
91% Up 9% Down
Color Rendering Index (CRI) = 84



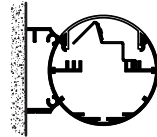
To see the complete photometric report, visit:

[AR300-IASY-HO-K40-LOH Report - Click Here](#)

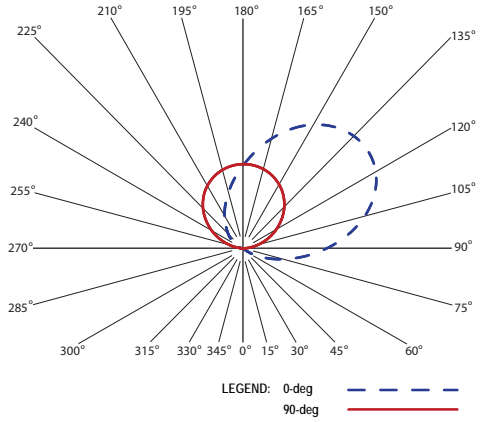
AR300-IASY-MO-K40-LOH



Wall Mount
Indirect-Asymmetric - LOH Lens Up
Medium Output



Catalog Number:
AR300-IASY-MO-K40-80-4'-X-
LOH-120
Report Number:
#LLIA000938-005.ies
Total Delivered Lumens: 2345
Total Efficacy: 115.4 Lms/W
Input Power per 4': 20.3 Watts
91% Up 9% Down
Color Rendering Index (CRI) = 84



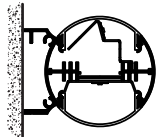
To see the complete photometric report, visit:

[AR300-IASY-MO-K40-LOH Report - Click Here](#)

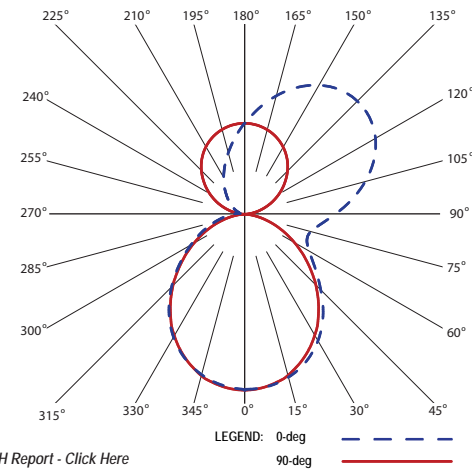
AR300-IASY/D-HO/HO-K40-LOH/LOH



Wall Mount
Indirect-Asymm./Direct - LOH Lens Up/LOH Lens Down
High Output - Up and Down



Catalog Number:
AR300-IASY/D-HO/HO-K40-80-4'-
W-LOH/LOH-120
Report Number:
#LLIA000956-002.ies
Total Delivered Lumens: 6775
Total Efficacy: 124.8 Lms/W
Input Power per 4': 54.3 Watts
43% Up 57% Down
Color Rendering Index (CRI) = 84



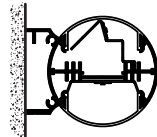
To see the complete photometric report, visit:

[AR300-IASY/D-HO/HO-K40-LOH/LOH Report - Click Here](#)

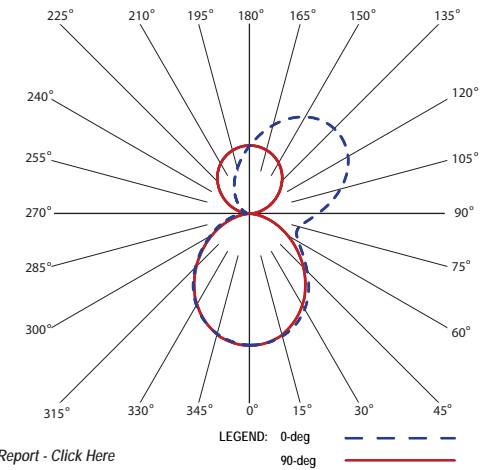
AR300-IASY/D-MO/MO-K40-LOH/LOH



Wall Mount
Indirect-Asymm./Direct - LOH LENS UP/LOH Lens Down
Medium Output - Up and Down



Catalog Number:
AR300-IASY/D-MO/MO-K40-80-4'-
W-LOH/LOH-120
Report Number:
#LLIA000956-001.ies
Total Delivered Lumens: 4671
Total Efficacy: 128.0 Lms/W
Input Power per 4': 36.5 Watts
43% Up 57% Down
Color Rendering Index (CRI) = 84



To see the complete photometric report, visit:

[AR300-IASY/D-MO/MO-K40-LOH/LOH Report - Click Here](#)