

# SAFETY AND INSTALLATION INSTRUCTIONS

## AR300 SUSPENDED MOUNT

### CAUTION:

- \* BE CERTAIN THAT POWER TO FIELD WIRING HAS BEEN TURNED OFF PRIOR TO INSTALLATION.
- \* THIS PRODUCT MUST BE INSTALLED IN ACCORDANCE WITH THE APPLICABLE INSTALLATION CODE BY A PERSON FAMILIAR WITH THE CONSTRUCTION AND OPERATION OF THE PRODUCT AND THE HAZARDS INVOLVED.
- \* IT IS INSTALLER'S RESPONSIBILITY TO ENSURE THAT MOUNTING SURFACE IS STRUCTURALLY CAPABLE OF SUPPORTING WEIGHT OF FIXTURE.
- \* BE CERTAIN THAT SUPPLY VOLTAGE IS THE SAME AS THAT MARKED ON FIXTURE.

CE PRODUIT DOIT ÊTRE  
INSTALLÉ SELON LE CODE  
D'INSTALLATION PERTINENT,  
PAR UNE PERSONNE QUI  
CONNAÎT BIEN LE PRODUIT  
ET SON FONCTIONNEMENT  
AINSI QUE LES RISQUES  
INHÉRENTS.

### SINGLE FIXTURE INSTALLATION

#### CABLE MOUNT 'OFF GRID' (CN)

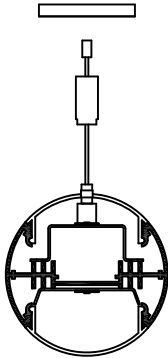
AR300 SUSPENDED DIRECT & INDIRECT FIXTURES INTENDED FOR 'OFF GRID' CABLE MOUNTING ARE TO BE INSTALLED WITH AC15000 & AFC15000 SERIES CABLE ASSEMBLIES. CABLE ASSEMBLIES ARE SEPARATELY SHIPPED AND ARE PROVIDED WITH INSTALLATION INSTRUCTIONS.

SEE INSTALLATION INSTRUCTION SHEET 3750111

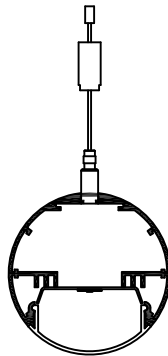
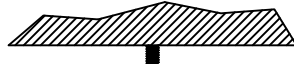
#### CABLE MOUNT 'ON GRID' (CT)

AR300 SUSPENDED DIRECT & INDIRECT FIXTURES INTENDED FOR 'ON GRID' CABLE MOUNTING ARE TO BE INSTALLED WITH AC14000 & AFC14000 SERIES CABLE ASSEMBLIES. CABLE ASSEMBLIES ARE SEPARATELY SHIPPED AND ARE PROVIDED WITH INSTALLATION INSTRUCTIONS.

SEE INSTALLATION INSTRUCTION SHEET 3750110

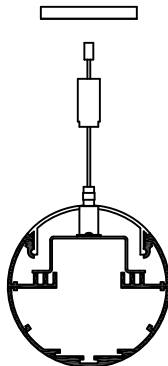


INDIRECT/DIRECT



DIRECT

FIG. 1



INDIRECT

**REFERENCE BACK OF PAGE FOR ROW INSTALLATION.**



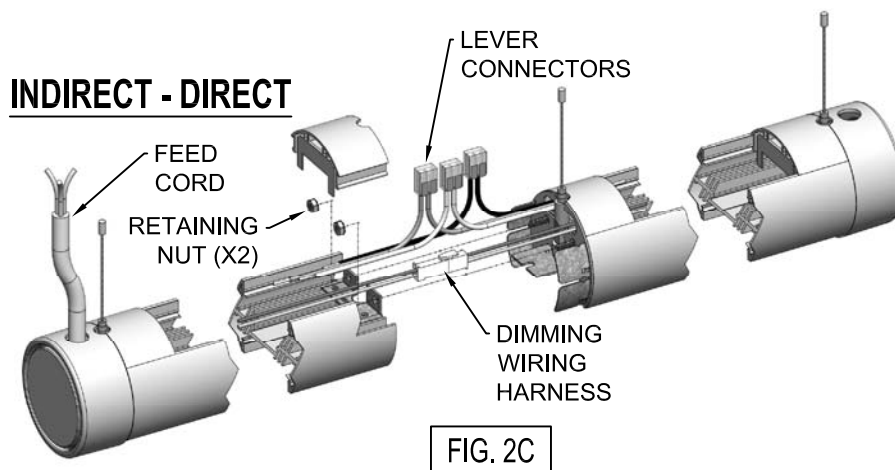
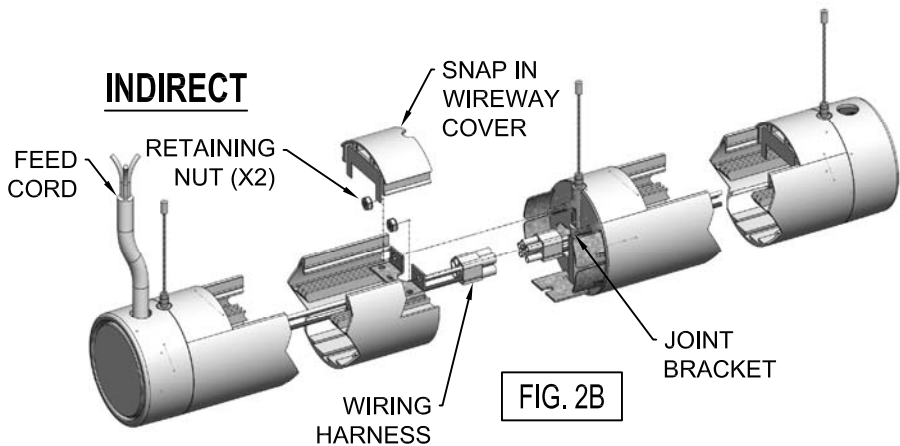
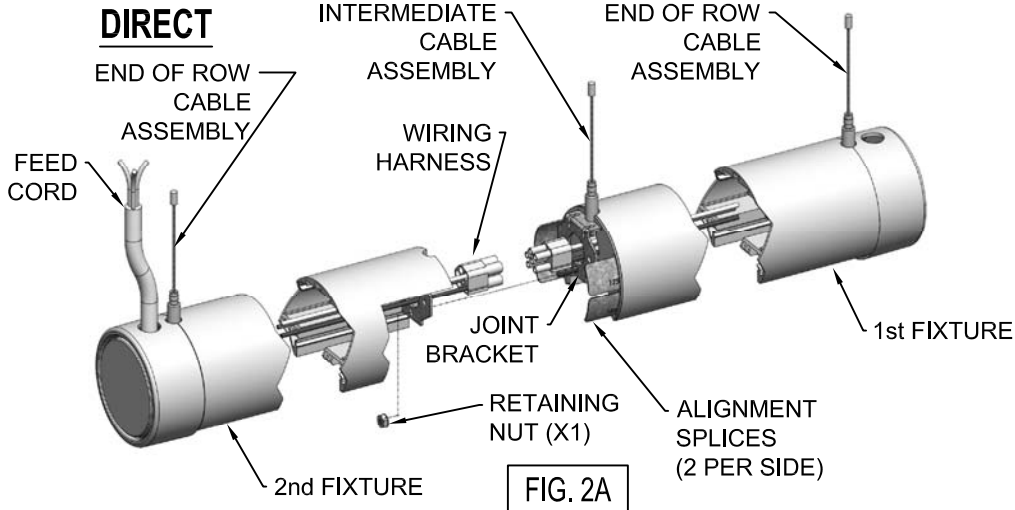
# SAFETY AND INSTALLATION INSTRUCTIONS

## AR300 SUSPENDED MOUNT

### ROW INSTALLATION

#### CAUTION:

DO NOT ATTEMPT TO ASSEMBLE FIXTURE ROWS ON GROUND AND THEN LIFT INTO POSITION. ATTEMPTING TO ASSEMBLE AND INSTALL FIXTURES IN THIS MANNER MAY CREATE STRESS AT CONNECTIONS RESULTING IN DAMAGE AND/OR MECHANICAL FAILURE



#### STEP 1:

INSTALL FIRST FIXTURE IN ROW OBSERVING INSTRUCTIONS PROVIDED WITH MOUNTING HARDWARE AND SHOP DRAWING (FIG 1).

#### STEP 2:

REMOVE LENS AND REFLECTOR FROM FIRST FIXTURE. REMOVE RETAINING NUT(S) FROM JOINT BRACKET ON NEXT FIXTURE. REMOVE SNAP-IN WIREWAY COVERS (INDIRECT APERTURES) AS SHOWN. (FIG 2A, 2B & 2C)

#### STEP 3:

POSITION SECOND FIXTURE SO THAT IT ALIGNS WITH JOINT END OF FIRST FIXTURE. PLUG WIRING HARNESS TOGETHER WHEN PROVIDED (2A & 2B) AND CONNECT SINGLE WIRES WITH LEVER CONNECTORS. (FIG 2C)

#### STEP 4:

PUSH FIXTURES TIGHTLY TOGETHER MAKING SURE THAT ALIGNMENT SPLICES SLIDE INTO THE INTERIOR TRACKS OF EACH FIXTURE HOUSING AND SPAN THE FIXTURE JOINT. PUSH CONNECTORS & EXCESS WIRE INTO WIREWAY CHAMBER. MAKE CERTAIN THERE ARE NO WIRES PINCHED BETWEEN FIXTURES AT JOINT. SECURE JOINT WITH #10-24 RETAINING NUTS (FROM STEP #2) INSTALLED ON JOINT BRACKETS AS SHOWN. USE 11/32" WRENCH (PROVIDED) AS REQUIRED.

#### STEP 5:

CONTINUE TO INSTALL AND ASSEMBLE REMAINING FIXTURES IN ROW FOLLOWING STEPS 2 THRU 4. REPLACE REFLECTORS, LENSES AND WIREWAY COVERS. ENERGIZE FIXTURE TO CHECK FOR PROPER OPERATION.

