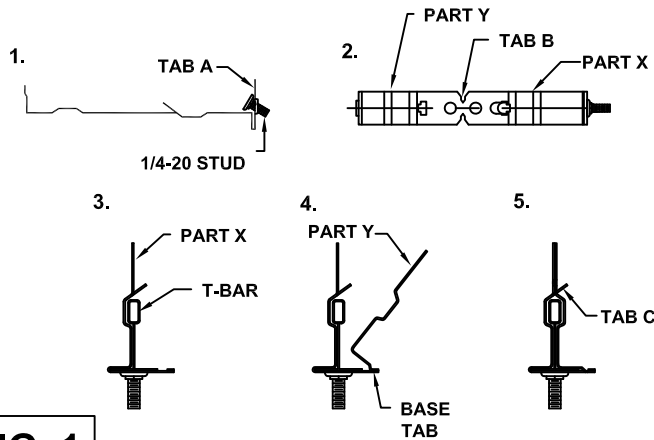


# AC14000 SERIES NON FEED CABLE ASSEMBLY SAFETY AND INSTALLATION INSTRUCTIONS

## CAUTION:

- \* BE CERTAIN THAT POWER TO FIELD WIRING HAS BEEN TURNED OFF PRIOR TO INSTALLATION.
- \* CONNECTIONS TO FIELD WIRES AND GROUNDING OF FIXTURES MUST BE DONE IN ACCORDANCE WITH APPLICABLE LOCAL & NATIONAL CODES. INSTALLATION MUST BE PERFORMED BY QUALIFIED PERSONNEL.
- \* IT IS INSTALLERS RESPONSIBILITY TO ENSURE THAT WALL, CEILING OR JUNCTION BOX IS STRUCTURALLY CAPABLE OF SUPPORTING WEIGHT OF FIXTURE .
- \* BE CERTAIN THAT SUPPLY VOLTAGE IS THE SAME AS THAT MARKED ON BALLASTS AND TRANSFORMERS.



**FIG. 1**

### STEP 1:

DETERMINE MOUNTING CABLE SPACING FROM FACTORY SHOP DRAWING.

### STEP 2:

INSTALL IDS CLIP ONTO T-BAR AT APPROPRIATE LOCATION(S).(REF. FIG. 1)

A- ASSEMBLE 1/4-20 STUD AND CLIP

\* START STUD INTO RECESSED SQUARE HOLE.

\* GRASP CLIP IN HAND AND DEPRESS TAB A WITH THUMB.

\* PULL STUD INTO PLACE AND RELEASE TAB A.

B- SEPARATE CLIP INTO ITS TWO PARTS BY BENDING AT TAB B.

C- PLACE PART X ON T-BAR

D- INSERT BASE TAB ON PART Y INTO SLOT. CLOSE PARTS X AND Y, LOCKING WITH TAB C.

### STEP 3:

SECURE IDS CLIP TO STRUCTURAL SUPPORT ABOVE WITH #12 GAUGE SUPPORT WIRE IN ACCORDANCE WITH LOCAL CODES. (REF. FIG. 2)

### STEP 4:

HOLD CANOPY AGAINST CEILING SUCH THAT 1/4-20 STUD IS PASSING THROUGH CENTER HOLE AS ILLUSTRATED. THREAD CABLE BARREL WITH SWAGED CABLE INSERTED ONTO 1/4-20 STUD- TIGHTEN SECURELY.

### STEP 5:

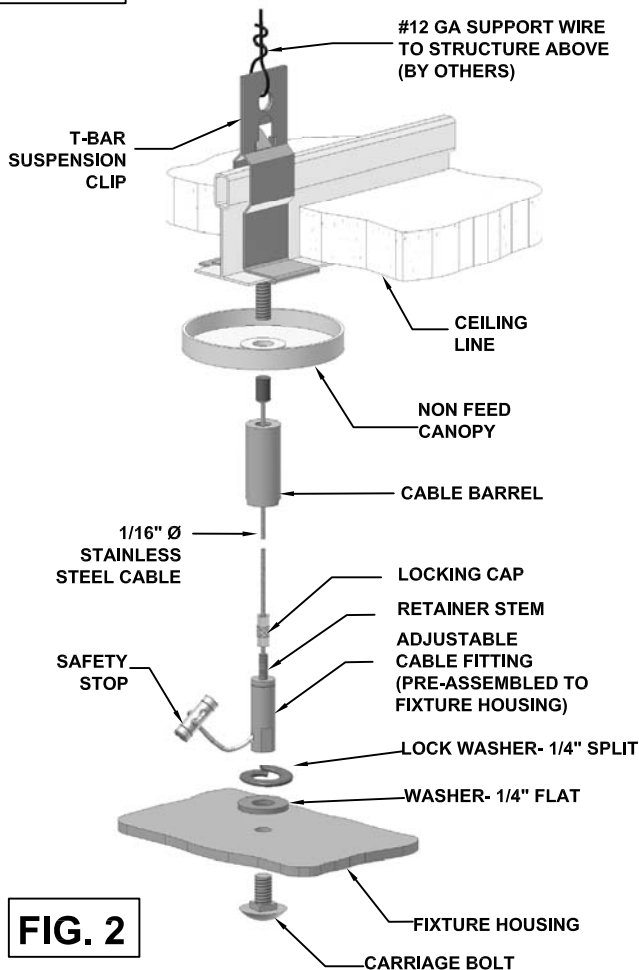
RAISE FIXTURE TO CABLE ASSEMBLY AND ROUTE CABLE THROUGH THE CENTER OF THE ADJUSTABLE CABLE FITTING. CONTINUE TO RAISE FIXTURE- FEEDING CABLE THROUGH THE ADJUSTABLE CABLE FITTING UNTIL DESIRED MOUNTING HEIGHT IS ATTAINED. FIXTURE WILL AUTOMATICALLY BE RETAINED AT THE LAST POINT OF ADJUSTMENT. TIGHTEN LOCKING CAP ONTO RETAINER STEM.

NOTE: IF IT BECOMES NECESSARY TO LOWER FIXTURE, LOOSEN LOCKING CAP, DEPRESS RETAINER STEM AND LOWER FIXTURE TO DESIRED POSITION.

**CAUTION:** BE CERTAIN TO SUPPORT FIXTURE INDEPENDENTLY OF CABLES WHEN DEPRESSING RETAINER STEM.

### STEP 6:

INSTALL SAFETY STOP AND CUT EXCESS CABLE AS REQUIRED.



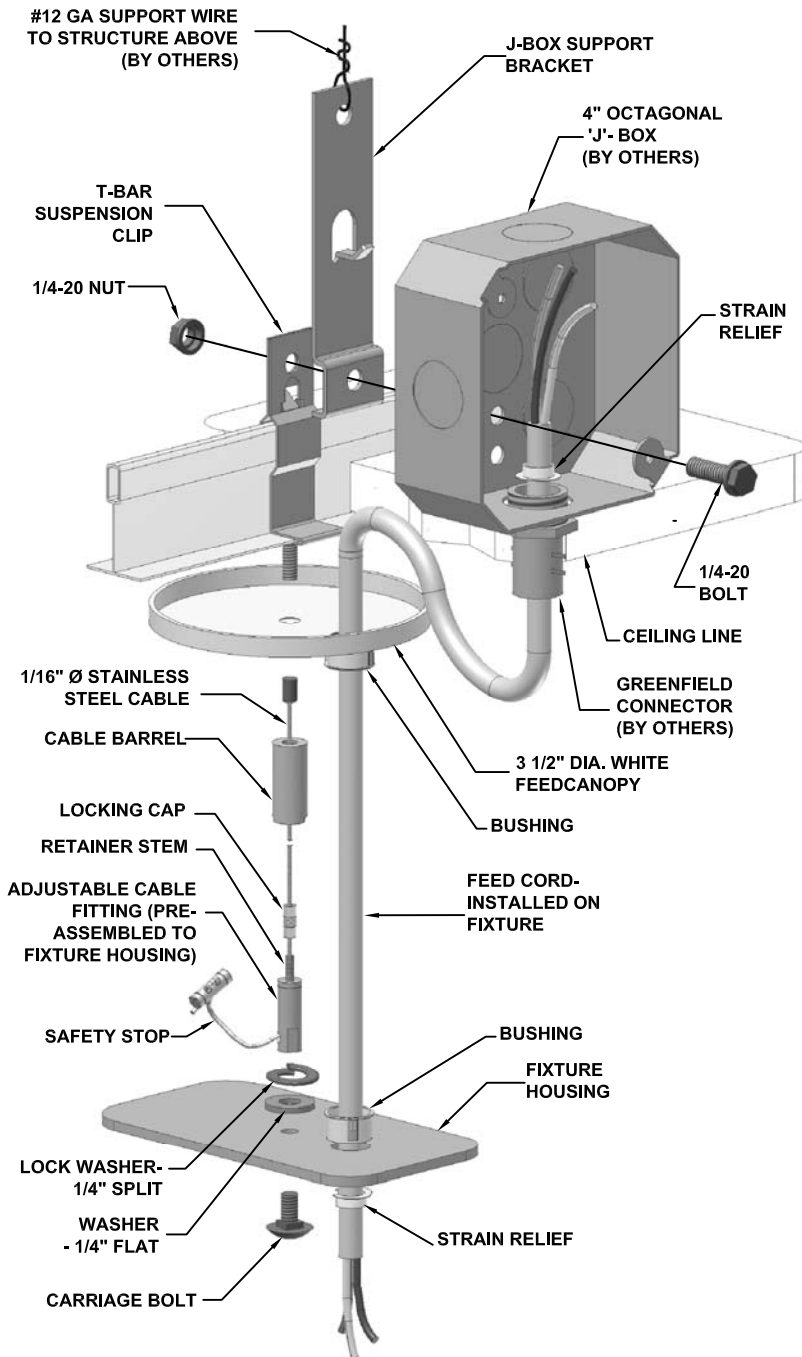
**FIG. 2**



# AFC14000 SERIES FEED CABLE ASSEMBLY SAFETY AND INSTALLATION INSTRUCTIONS

## CAUTION:

- \* BE CERTAIN THAT POWER TO FIELD WIRING HAS BEEN TURNED OFF PRIOR TO INSTALLATION.
- \* CONNECTIONS TO FIELD WIRES AND GROUNDING OF FIXTURES MUST BE DONE IN ACCORDANCE WITH APPLICABLE LOCAL & NATIONAL CODES. INSTALLATION MUST BE PERFORMED BY QUALIFIED PERSONNEL.
- \* IT IS INSTALLERS RESPONSIBILITY TO ENSURE THAT WALL, CEILING OR JUNCTION BOX IS STRUCTURALLY CAPABLE OF SUPPORTING WEIGHT OF FIXTURE .
- \* BE CERTAIN THAT SUPPLY VOLTAGE IS THE SAME AS THAT MARKED ON BALLASTS AND TRANSFORMERS.



### STEP 1:

DETERMINE MOUNTING CABLE SPACING FROM FACTORY SHOP DRAWING.

### STEP 2:

INSTALL IDS CLIP AT APPROPRIATE LOCATION(S) ONTO T-BAR. FOLLOW INSTRUCTION SEQUENCE # 2 & 3 ON REVERSE PAGE

### STEP 3:

INSTALL GREENFIELD CONNECTOR (BY OTHERS) ONTO JUNCTION BOX. ATTACH JUNCTION BOX AND 'J' BOX SUPPORT BRACKET TO IDS CLIP WITH 1/4-20 NUT AND BOLT PROVIDED AS ILLUSTRATED.

### STEP 4:

SUPPORT 'J' BOX SUPPORT BRACKET TO STUCTURAL SUPPORT ABOVE WITH #12 GAUGE SUPPORT WIRE AS ILLUSTRATED.

### STEP 5:

CUT A 3/4" DIA. HOLE IN CEILING TILE ALIGNED WITH GREENFIELD CONNECTOR PROTRUDING FROM JUNCTION BOX. HOLD CANOPY AGAINST CEILING SUCH THAT 1/4-20 STUD PASSES THROUGH CENTER HOLE AND THREAD CABLE BARREL WITH SWAGED CABLE INSERTED ONTO 1/4-20 STUD--TIGHTEN SECURELY.

### STEP 6:

REMOVE DIFFUSERS AND REFLECTORS AS REQUIRED.

### STEP 7:

RAISE FIXTURE TO CABLE, ROUTING CABLE THROUGH THE CENTER OF THE ADJUSTABLE CABLE FITTING ON FIXTURE AS ILLUSTRATED. CONTINUE TO RAISE FIXTURE, FEEDING CABLE THROUGH THE ADJUSTABLE FITTING UNTIL DESIRED MOUNTING HEIGHT IS ATTAINED. FIXTURE WILL AUTOMATICALLY BE RETAINED AT THE LAST POINT OF ADJUSTMENT. TIGHTEN LOCKING CAP ONTO RETAINER STEM OF ADJUSTABLE FITTING.

**NOTE:** IF IT BECOMES NECESSARY TO LOWER FIXTURE, LOOSEN LOCKING CAP, DEPRESS RETAINER STEM AND LOWER FIXTURE TO DESIRED POSITION. RE-TIGHTEN LOCKING CAP.

**CAUTION:** BE CERTAIN TO SUPPORT FIXTURE INDEPENDENTLY OF CABLES WHEN DEPRESSING RETAINER STEM.

### STEP8:

ROUTE FEED CORD FROM FIXTURE THROUGH THE GROMMETED HOLE IN CANOPY AND INTO JUNCTION BOX. CONNECT FEED CORD TO INCOMING POWER FEED WIRES WITHIN JUNCTION BOX WITH APPROPRIATE CONNECTORS AND INSTALL STRAIN RELIEF AS ILLUSTRATED.

### STEP 9:

INSTALL SAFETY STOP AND CUT EXCESS CABLE AS REQUIRED.

### STEP 10:

INSTALL REFLECTORS, LAMPS AND DIFFUSER. ENERGIZE FIXTURE AND CHECK FOR PROPER OPERATION.

