

MICROLINEA SERIES 5 LED SUSPENDED SAFETY AND INSTALLATION INSTRUCTIONS

CAUTION:

- * BE CERTAIN THAT POWER TO FIELD WIRING HAS BEEN TURNED OFF PRIOR TO INSTALLATION.
- * CONNECTIONS TO FIELD WIRES AND GROUNDING OF FIXTURES MUST BE DONE IN ACCORDANCE WITH APPLICABLE LOCAL & NATIONAL CODES. INSTALLATION MUST BE PERFORMED BY QUALIFIED PERSONNEL.
- * IT IS INSTALLER'S RESPONSIBILITY TO ENSURE THAT MOUNTING SURFACE IS STRUCTURALLY CAPABLE OF SUPPORTING WEIGHT OF FIXTURE .
- * BE CERTAIN THAT SUPPLY VOLTAGE IS THE SAME AS THAT MARKED ON DRIVERS AND TRANSFORMERS.

SINGLE FIXTURE INSTALLATION

CABLE MOUNT 'OFF GRID' (CN)

MICROLINEA SUSPENDED INDIRECT/DIRECT FIXTURES INTENDED FOR 'OFF GRID' CABLE MOUNTING ARE TO BE INSTALLED WITH AC19000 & AFC19000 SERIES CABLE ASSEMBLIES. CABLE ASSEMBLIES ARE SEPARATELY SHIPPED AND ARE PROVIDED WITH INSTALLATION INSTRUCTIONS.

SEE INSTALLATION INSTRUCTION SHEET # 3750157

MICROLINEA SUSPENDED DIRECT FIXTURES INTENDED FOR 'OFF GRID' CABLE MOUNTING ARE TO BE INSTALLED WITH AC15000 & AFC15000 SERIES CABLE ASSEMBLIES. CABLE ASSEMBLIES ARE SEPARATELY SHIPPED AND ARE PROVIDED WITH INSTALLATION INSTRUCTIONS.

SEE INSTALLATION INSTRUCTION SHEET # 3750111

CABLE MOUNT "ON GRID" (CT)

MICROLINEA SUSPENDED INDIRECT/DIRECT FIXTURES INTENDED FOR 'T-BAR' CABLE MOUNTING ARE TO BE INSTALLED WITH AC20000 & AFC20000 SERIES CABLE ASSEMBLIES. CABLE ASSEMBLIES ARE SEPARATELY SHIPPED AND ARE PROVIDED WITH INSTALLATION INSTRUCTIONS.

SEE INSTALLATION INSTRUCTION SHEET # 3750158

MICROLINEA SUSPENDED DIRECT FIXTURES INTENDED FOR 'T-BAR' CABLE MOUNTING ARE TO BE INSTALLED WITH AC14000 & AFC14000 SERIES CABLE ASSEMBLIES. CABLE ASSEMBLIES ARE SEPARATELY SHIPPED AND ARE PROVIDED WITH INSTALLATION INSTRUCTIONS.

SEE INSTALLATION INSTRUCTION SHEET # 3750110

RIGID STEM MOUNT (P)

MICROLINEA SUSPENDED FIXTURES INTENDED FOR 'RIGID' STEM MOUNTING ARE TO BE INSTALLED WITH P100 & P101 SERIES STEM ASSEMBLIES. STEM ASSEMBLIES ARE SEPARATELY SHIPPED AND ARE PROVIDED WITH INSTALLATION INSTRUCTIONS.

SEE INSTALLATION INSTRUCTION SHEET # 3750007

SWIVEL STEM MOUNT (K)

MICROLINEA SUSPENDED FIXTURES INTENDED FOR 'SWIVEL' STEM MOUNTING ARE TO BE INSTALLED WITH K100 & K101 SERIES SWIVEL STEM ASSEMBLIES. STEM ASSEMBLIES ARE SEPARATELY SHIPPED AND ARE PROVIDED WITH INSTALLATION INSTRUCTIONS.

SEE INSTALLATION INSTRUCTION SHEET # 3750011

CEILING MOUNT (J)

MICROLINEA SERIES FIXTURES INTENDED FOR DIRECT CEILING MOUNTING SHOULD BE SUITABLY ANCHORED TO CEILING OR SUPPORT STRUCTURE ABOVE WITH $\frac{1}{4}$ " SCREWS OR THREADED RODS (DEPENDING UPON CEILING CONSTRUCTION). INCOMING FEED WIRES SHOULD BE ROUTED THROUGH THE FEED HOLE IN FIXTURE HOUSING AND WIRE CONNECTIONS MADE IN FIXTURE BALLAST CHAMBER. INCOMING FEED WIRES AND CONNECTORS MUST BE RATED FOR 90°C MINIMUM.

REFERENCE BACK PAGE FOR CONTINUOUS ROW INSTALLATION & ATTACHMENT TO CONNECTORS



MICROLINEA SERIES 5 LED SUSPENDED SAFETY AND INSTALLATION INSTRUCTIONS

ROW INSTALLATION

CAUTION

DO NOT ATTEMPT TO ASSEMBLE FIXTURE PATTERNS ON GROUND THEN LIFT INTO POSITION. ATTEMPTING TO ASSEMBLE & INSTALL FIXTURES IN THIS MANNER MAY CREATE STRESS AT CONNECTIONS RESULTING IN DAMAGE AND/OR MECHANICAL FAILURE.

STEP 1:

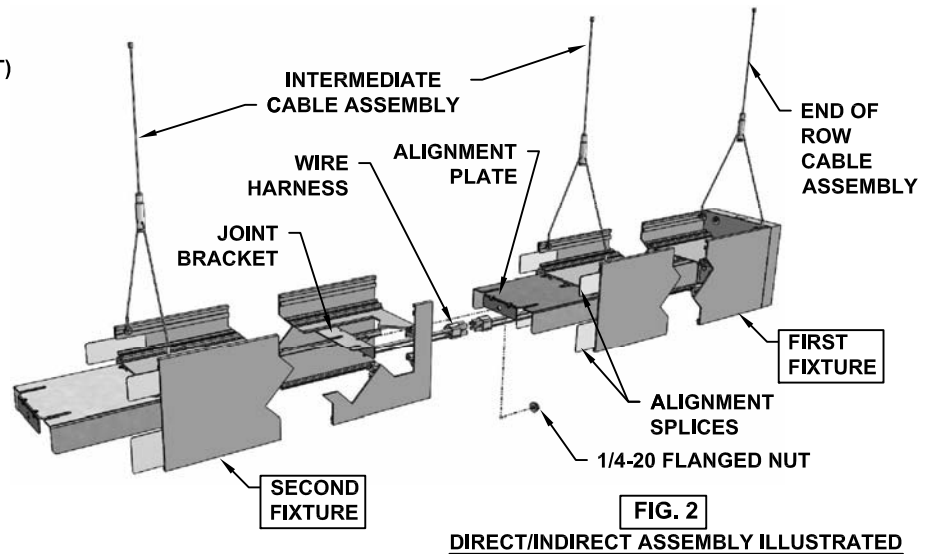
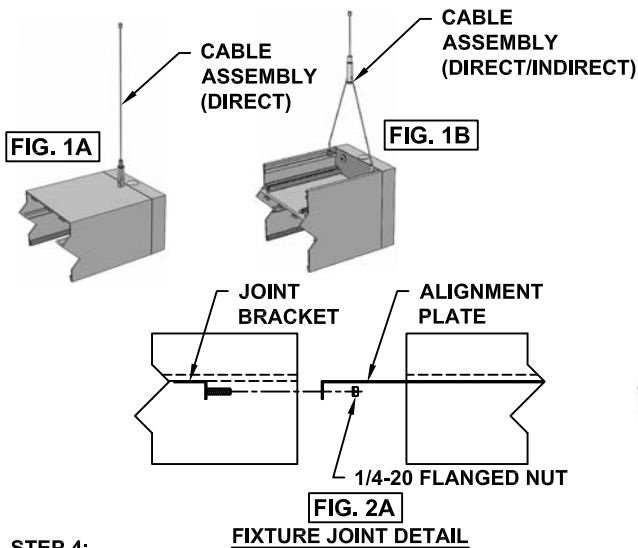
INSTALL FIRST FIXTURE IN ROW OBSERVING INSTRUCTIONS PROVIDED WITH MOUNTING HARDWARE AND SHOP DRAWING. (FIG. 1A, 1B & FIG. 2)

STEP 2:

POSITION SECOND FIXTURE SUCH THAT IT ALIGNS WITH JOINT END OF FIRST FIXTURE AND HANG WITH INTERMEDIATE CABLE ASSEMBLY AS ILLUSTRATED. REMOVE 1/4-20 FLANGED NUT FROM JOINT BRACKET. (NOTE THAT REMOVAL OF THE REFLECTOR AND SOCKET PLATE MIGHT BE REQUIRED TO ACCESS JOINT BRACKET) PLUG WIRE HARNESSES TOGETHER & PUSH EXCESS WIRE INTO BALLAST CHAMBER. (FIG. 2)

STEP 3:

PUSH FIXTURES TIGHTLY TOGETHER MAKING SURE THAT THE ALIGNMENT SPLICES AND ALIGNMENT PLATE SLIDE INTO THE INTERIOR TRACKS OF EACH FIXTURE HOUSING & SPAN THE FIXTURE JOINT. MAKE CERTAIN THERE ARE NO WIRES PINCHED BETWEEN FIXTURES AT JOINT. REINSTALL 1/4-20 FLANGED NUT AND TIGHTEN SUFFICIENTLY TO DRAW FIXTURES TOGETHER (FIG. 2A)



STEP 4:

CONTINUE TO INSTALL AND ASSEMBLE REMAINING FIXTURES IN ROW FOLLOWING STEPS 2 & 3.

ATTACHMENT TO CONNECTORS

CAUTION

DO NOT ATTEMPT TO ASSEMBLE FIXTURE PATTERNS ON GROUND THEN LIFT INTO POSITION. ATTEMPTING TO ASSEMBLE & INSTALL FIXTURES IN THIS MANNER MAY CREATE STRESS AT CONNECTIONS RESULTING IN DAMAGE AND/OR MECHANICAL FAILURE.

STEP 1:

INSTALL AC9000 CABLE ASSEMBLIES ONTO CONNECTORS BY THREADING ADJUSTABLE FITTING ONTO THREADED STUD INSIDE CONNECTOR.

STEP 2:

MOUNT CONNECTOR BOX/CABLE ASSEMBLIES AND ANY INTERMEDIATE CABLE ASSEMBLIES IN LOCATIONS INDICATED ON SHOP DRAWING. FOLLOW INSTALLATION INSTRUCTIONS INCLUDED WITH EACH CABLE ASSEMBLY. CONNECTOR COVER SHOULD BE TEMPORARILY POSITIONED ABOVE CONNECTOR TO ALLOW ACCESS INSIDE THE CONNECTOR.

STEP 3:

RAISE FIRST FIXTURE AND ATTACH ONE END TO CORNER BOX WITH 1/4-20 NUTS PROVIDED AND OPPOSITE END TO INTERMEDIATE CABLE OR CONNECTOR AS REQUIRED. (SEE FIG. 3). RAISE SECOND FIXTURE TO CONNECTOR AND ATTACH AS PREVIOUSLY DESCRIBED. CONTINUE TO MOUNT OTHER FIXTURES IN PATTERN IN A SIMILAR FASHION UNTIL PATTERN IS COMPLETE.

STEP 4:

PULL FIXTURE WIRES THROUGH OR MAKE CONNECTIONS WITHIN THE CONNECTOR ASSEMBLY AS REQUIRED. ATTACH CONNECTOR COVER TO CONNECTOR WITH FOUR #8-32 FLAT HEAD SCREWS PROVIDED.

