

MICROLINEA EXTENDED ARM WALL MOUNT SERIES SAFETY AND INSTALLATION INSTRUCTIONS

CAUTION:

- * BE CERTAIN THAT POWER TO FIELD WIRING HAS BEEN TURNED OFF PRIOR TO INSTALLATION.
- * CONNECTIONS TO FIELD WIRES AND GROUNDING OF FIXTURES MUST BE DONE IN ACCORDANCE WITH APPLICABLE LOCAL & NATIONAL CODES. INSTALLATION MUST BE PERFORMED BY QUALIFIED PERSONNEL.
- * IT IS INSTALLERS RESPONSIBILITY TO ENSURE THAT WALL, CEILING OR JUNCTION BOX IS STRUCTURALLY CAPABLE OF SUPPORTING WEIGHT OF FIXTURE .
- * BE CERTAIN THAT SUPPLY VOLTAGE IS THE SAME AS THAT MARKED ON BALLASTS AND TRANSFORMERS.

SINGLE FIXTURE INSTALLATION

STEP 1:

USING WALL CLEAT AS A TEMPLATE, CENTER OVER VERTICALLY MOUNTED SWITCH BOX AND MARK (4) MOUNTING HOLES. USE LEVEL TO PLUMB WALL CLEAT (FIG. 1). DRILL HOLES APPROPRIATE FOR MOUNTING SURFACE AND FASTENERS TO BE USED. SECURELY ATTACH WALL CLEAT TO WALL.

STEP 2:

ATTACH SECOND WALL CLEAT TO MOUNTING SURFACE AT LOCATION AS SPECIFIED ON FACTORY SHOP DRAWING. TAKE CARE TO INSURE THAT WALL CLEATS ARE PLUMB AND ON SAME CENTER LINE AS FIRST ONE INSTALLED. CONSULT FACTORY OR YOUR PAL REPRESENTATIVE IF YOU ARE NOT IN POSSESSION OF FACTORY SHOP DRAWING.

STEP 3:

PUSH FIXTURE LEADS THRU STEM AND THREAD STEM INTO FIXTURE UNTIL IT IS TIGHT.
NOTE: END OF STEM WITH 1/2" OF THREAD SHOULD BE THREADED INTO FIXTURE AS ILLUSTRATED.

STEP 4:

INSTALL ARM AND WALL BRACKET OVER STEM WITH FIXTURE LEADS PROTRUDING THRU BACK SIDE OF WALL BRACKET. NOTE ORIENTATION OF WALL BRACKET. (FIG.2)

STEP 5:

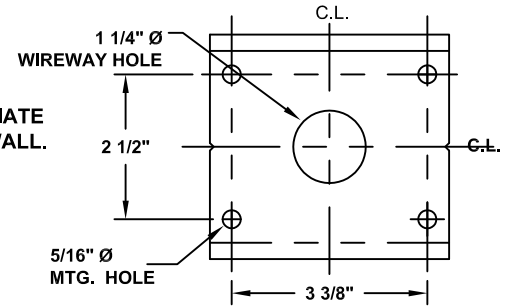
ATTACH WASHER AND LOCKNUT TO STEM AND TIGHTEN SECURELY.
REPEAT PROCEDURE (EXCEPT FOR LEADS) AT OPPOSITE END OF FIXTURE.

STEP 6:

CONNECT INCOMING SUPPLY WIRES TO FIXTURE LEADS, USING 90° C MINIMUM RATED WIRES AND CONNECTORS. ALL WIRE CONNECTIONS SHOULD BE MADE INSIDE SWITCH BOX.

STEP 7:

HOOK FIXTURE ONTO WALL CLEAT- MAY REQUIRE (2) PERSONS- ONE AT EACH END. SWING FIXTURE DOWN TO MOUNTING SURFACE AND TIGHTEN SET SCREWS TO ENGAGE WALL CLEATS. VERIFY FIXTURE IS SECURELY ATTACHED. (FIG.3)



WALL "CLEAT"
MOUNTING HOLE ARRANGEMENT

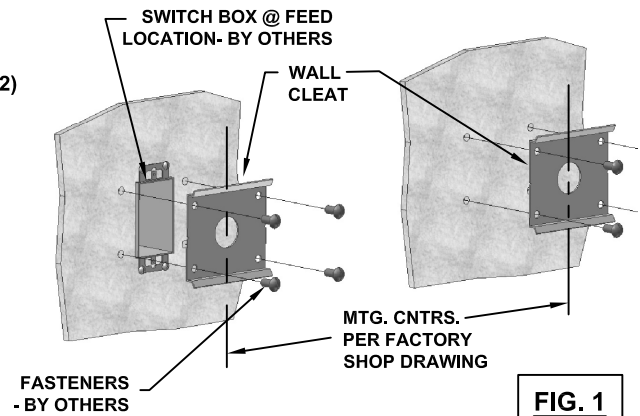


FIG. 1

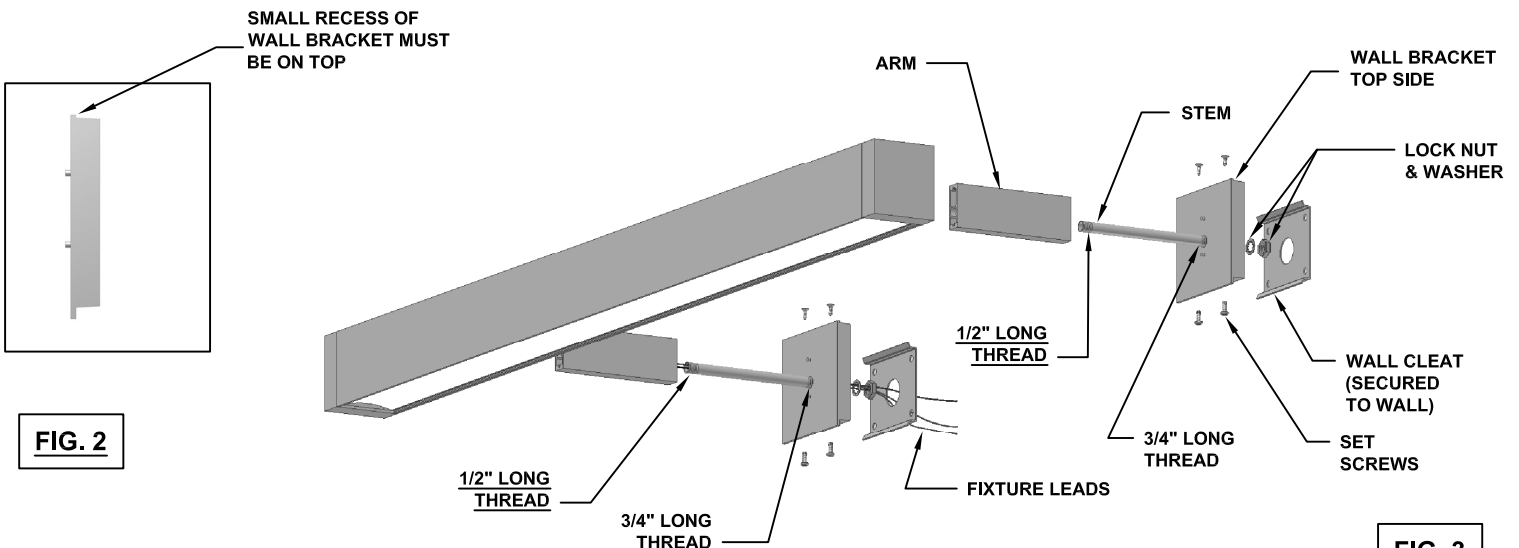


FIG. 3

REFERENCE BACK PAGE FOR CONTINUOUS ROW INSTALLATION



MICROLINE EXTENDED ARM WALL MOUNT SERIES SAFETY AND INSTALLATION INSTRUCTIONS

ROW INSTALLATION

CAUTION

DO NOT ATTEMPT TO ASSEMBLE FIXTURE ROWS ON GROUND THEN LIFT INTO POSITION. ATTEMPTING TO ASSEMBLE & INSTALL FIXTURES IN THIS MANNER MAY CREATE STRESS AT CONNECTIONS RESULTING IN DAMAGE AND/OR MECHANICAL FAILURE.

STEP 1:

FROM CENTER LINE OF HORIZONTALLY MOUNTED SWITCH BOX(ES), SNAP A HORIZONTAL CHALK LINE ON WALL APPROXIMATELY FULL LENGTH OF FIXTURE ROW TO BE INSTALLED.

STEP 2:

ATTACH WALL CLEATS, AS INSTRUCTED ON OPPOSITE PAGE AND ON CENTERS AS SPECIFIED ON SHOP DRAWING, USING CHALK LINE AS CENTER LINE GUIDE (FIG.4)

NOTE: THE FOLLOWING STEPS MAY REQUIRE REMOVAL OF FIXTURE REFLECTOR TO COMPLETE INSTALLATION AND WIRING.

STEP 3:

INSTALL FIRST (END) FIXTURE IN ROW AS INSTRUCTED ON OPPOSITE PAGE. LEAVE SET SCREWS ON ALL FIXTURES LOOSE AT THIS TIME.

ATTACH NEXT FIXTURE TO PREVIOUSLY INSTALLED ONE AS FOLLOWS:

STEP 4:

REMOVE REFLECTOR FROM SECOND FIXTURE .

STEP 5:

POSITION AND SUPPORT NEXT FIXTURE SUCH THAT HOLES IN CROSS BRACES ALIGN, AS ILLUSTRATED BELOW . (FIG 5)

STEP 6:

PLUG FIXTURE WIRE HARNESSES TOGETHER AND PUSH EXCESS WIRE BACK INTO FIXTURE WIREWAY.

STEP 7:

SLIDE FIXTURES TOGETHER WITH ALIGNMENT SPLICE INSTALLED ON THE INTERIOR OF FIXTURE HOUSING (FIG.4). ALIGNMENT SPLICE SHOULD SPAN JOINT ONCE FIXTURES ARE BUTTED TIGHTLY TOGETHER.

NOTE: MAKE SURE EXCESS WIRE FROM WIRE HARNESS IS PUSHED BACK INTO FIXTURE WIREWAY CHAMBER AND IS NOT 'PINCHED' BETWEEN FIXTURES.

STEP 8:

SECURE FIXTURES TOGETHER WITH 1/4-20 CARRIAGE BOLTS & NUTS PROVIDED.

STEP 9:

CONTINUE TO INSTALL & ASSEMBLE FIXTURE ROW FOLLOWING STEPS 4 THROUGH 8.

STEP 10:

ONCE ALL FIXTURES IN ROW ARE INSTALLED, TIGHTEN SET SCREWS ON ALL FIXTURES ONLY ENOUGH TO HOLD WALL BRACKET SNUG AGAINST WALL.

